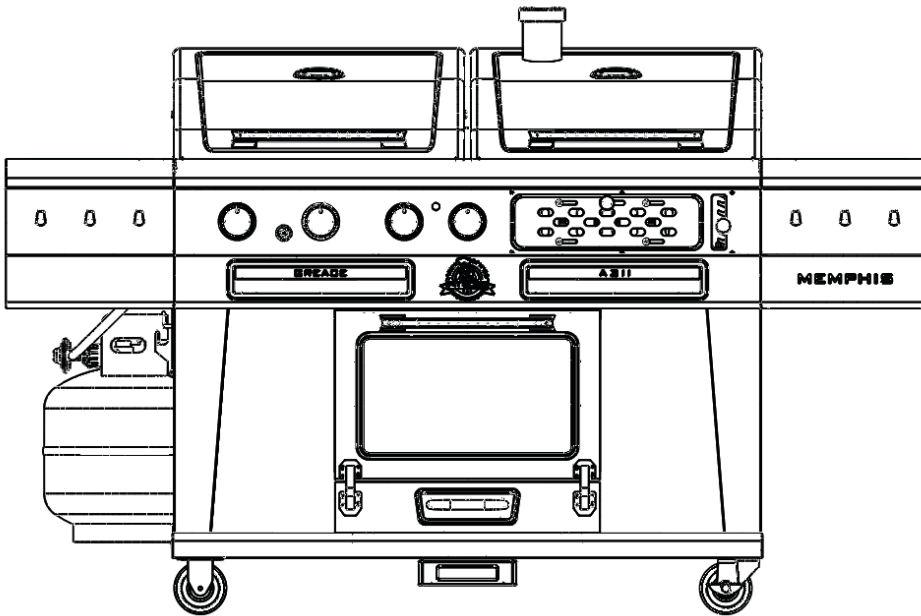


MODEL / MODÈLE / MODELO : PBMEMU2  
PART / PIÈCE / PARTE : 10896, 11002



## 4-IN-1 COMBINATION GRILL

## GRIL COMBINÉ 4 EN 1

## PARRILLA COMBINADA 4 EN 1

FOR OUTDOOR AND HOUSEHOLD USE ONLY. NOT FOR  
COMMERCIAL USE. FUEL AND ACCESSORIES NOT INCLUDED.

RÉSERVÉ À L'USAGE EXTÉRIEUR ET RÉSIDENTIEL  
UNIQUEMENT. NON DESTINÉ À UN USAGE COMMERCIAL.  
CARBURANT ET ACCESSOIRES NON INCLUS.

SOLO PARA USO EN EXTERIORES Y EN EL HOGAR. NO ES PARA  
USO COMERCIAL. COMBUSTIBLE Y ACCESORIOS NO INCLUIDOS.

# MEMPHIS ULTIMATE 2.0

## ASSEMBLY GUIDE GUIDE D'ASSEMBLAGE | GUÍA DE MONTAJE

**WARNING:** PLEASE READ THE ENTIRE MANUAL BEFORE INSTALLATION AND USE OF THIS ELECTRIC APPLIANCE. FAILURE TO FOLLOW THESE INSTRUCTIONS COULD RESULT IN PROPERTY DAMAGE, BODILY INJURY OR EVEN DEATH. CONTACT LOCAL BUILDING OR FIRE OFFICIALS ABOUT RESTRICTIONS AND INSTALLATION INSPECTION REQUIREMENTS IN YOUR AREA.

**AVERTISSEMENT :** VEUILLEZ LIRE L'INTÉGRALITÉ DU MANUEL AVANT L'INSTALLATION ET L'UTILISATION DE CET APPAREIL ÉLECTRONIQUE. LE NON-RESPECT DE CES INSTRUCTIONS PEUT ENTRAÎNER DES DOMMAGES AUX BIENS, DES BLESSURES OU MÊME LA MORT. COMMUNIQUEZ AVEC LES AUTORITÉS LOCALES EN MATIÈRE D'INCENDIE ET DE BÂTIMENT CONCERNANT LES RESTRICTIONS ET LES EXIGENCES D'INSTALLATION DANS VOTRE RÉGION.

**ADVERTENCIA:** LEA EL MANUAL COMPLETO ANTES DE INSTALAR Y UTILIZAR ESTE APARATO ELÉCTRICO. INCUMPLIR ESTAS INSTRUCCIONES PODRÍA CAUSAR DAÑOS MATERIALES, LESIONES CORPORALES, E INCLUSO LA MUERTE. CONSULTE A SUS FUNCIONARIOS LOCALES DE CONSTRUCCIÓN Y CONTROL DE INCENDIOS PARA INFORMARSE SOBRE LAS RESTRICCIONES Y LOS REQUISITOS DE INSPECCIÓN DE INSTALACIONES EN SU REGIÓN.

**IMPORTANT, READ CAREFULLY, RETAIN FOR FUTURE REFERENCE. MANUAL MUST BE READ BEFORE OPERATING!**

**IMPORTANT, PRENEZ CONNAISSANCE DE CE DOCUMENT ET CONSERVEZ-LE POUR RÉFÉRENCE ULTÉRIEURE VOUS DEVEZ LIRE CE GUIDE AVANT D'UTILISER LE BARBECUE !**

**IMPORTANTE, LEA DETENIDAMENTE, CONSERVE PARA REFERENCIA FUTURA. ¡DEBE LEER EL MANUAL ANTES DE LA OPERACIÓN!**





**COPYRIGHT NOTICE**

Copyright 2023. All right reserved. No part of this manual may be copied, transmitted, transcribed, stored in a retrieval system, in any form or by any means without expressed written permission of,

**Dansons**

8877 North Gainey Center Drive, Scottsdale, AZ, USA 85258

**Customer Care**

USA: (480) 923-9630

Canada (Toll-Free): 1-877-942-2246

[www.pitboss-grills.com](http://www.pitboss-grills.com)

**TABLE OF CONTENTS**

- Parts & Specs..... 4
- Assembly Preparation..... 6
- Assembly Instructions
  - Mounting The Cart Wheels ..... 6
  - Mounting The Smoker Grease Cup Supports..... 6
  - Mounting The Front Support Legs ..... 7
  - Mounting The Back Support Legs ..... 7
  - Attaching The LP Gas Cylinder Wire Retainer ..... 7
  - Mounting The Knob To The Air Damper ..... 8
  - Attaching The Smoker Cabinet Assembly..... 8
  - Inserting The Wood Chip Box, Smoker Grease Cup ..... 8
  - Placing The Smoker Cabinet Cooking Components ..... 9
  - Mounting The Smoker Door Handle ..... 9
  - Mounting The Smoker Door Hinges ..... 9
  - Installing The Smoker Door ..... 10
  - Mounting The Wires Lower Cover ..... 10
  - Installing The Tray Guides ..... 10
  - Mounting The Lower Control Panel ..... 11
  - Mounting The Grill Onto The Cart..... 11
  - Connecting The Electrical Components For The
    - Smoke Cabinet..... 12
    - Attaching The Electrical Back Cover..... 12
    - Installing The Cooking Grid Supports..... 13
    - Installing The Heat Tent Supports..... 13
    - Mounting The Grease Shields..... 13
    - Installing The Charcoal Tray Lifting System ..... 14
    - Mounting The Smoke Stack..... 14
    - Inserting The Thermometers..... 15
    - Installing The Warming Racks ..... 15
    - Mounting The Lid Handles ..... 15
    - Installing The Tool Hooks ..... 16
    - Mounting The Side Shelves ..... 16
    - Mounting The Wire Hose Retainer..... 16
    - Installing The Grease, Ash Trays..... 17
    - Placing The Control Knobs ..... 17
    - Attaching The Charcoal Tray Air Damper Handle..... 17
    - Positioning The Heat Tents..... 18
    - Placing The Charcoal Tray..... 18
    - Placing The Cooking Grids..... 18
    - Installing The Battery..... 19

**ENGLISH**

# PARTS & SPECS

ENGLISH

Part	Description	Qty
1	Thermometer	2
2	Smoke Stack Lid	1
3	Smoke Stack	1
4	Lid Handles	2
5	Warming Racks	2
6	Heat Tents	3
7	Heat Tents Supports	3
8	Side Shelf Supports	2
9	Left Side Shelf Panel	1
10	Left Side Shelf	1
11	Tool Hooks	6
12	Back-Left Support Leg	1
13	Front-Left Support Leg	1
14	LP Gas Cylinder Wire Retainer	1
15	Lower Cabinet Assembly	1
16	Caster Wheel	2
17	Smoker Grease Cup Supports	2
18	Smoker Grease Cup	1
19	Wood Chip Box Assembly	1
20	Locking Caster	2
21	Smoker Cabinet	1
22	Smoker Cooking Grid A	2
23	Smoker Cooking Grid B	1
24	Water Pan	1
25	Smoker Door Hinges	2
26	Smoker Door	1
27	Smoker Door Handle	1
28	Cooking Grids	4
29	Lower Control Panel	1
30	Grease Shields	2
31	Cooking Grid Front Supports	2
32	Cooking Grid Back Supports	2

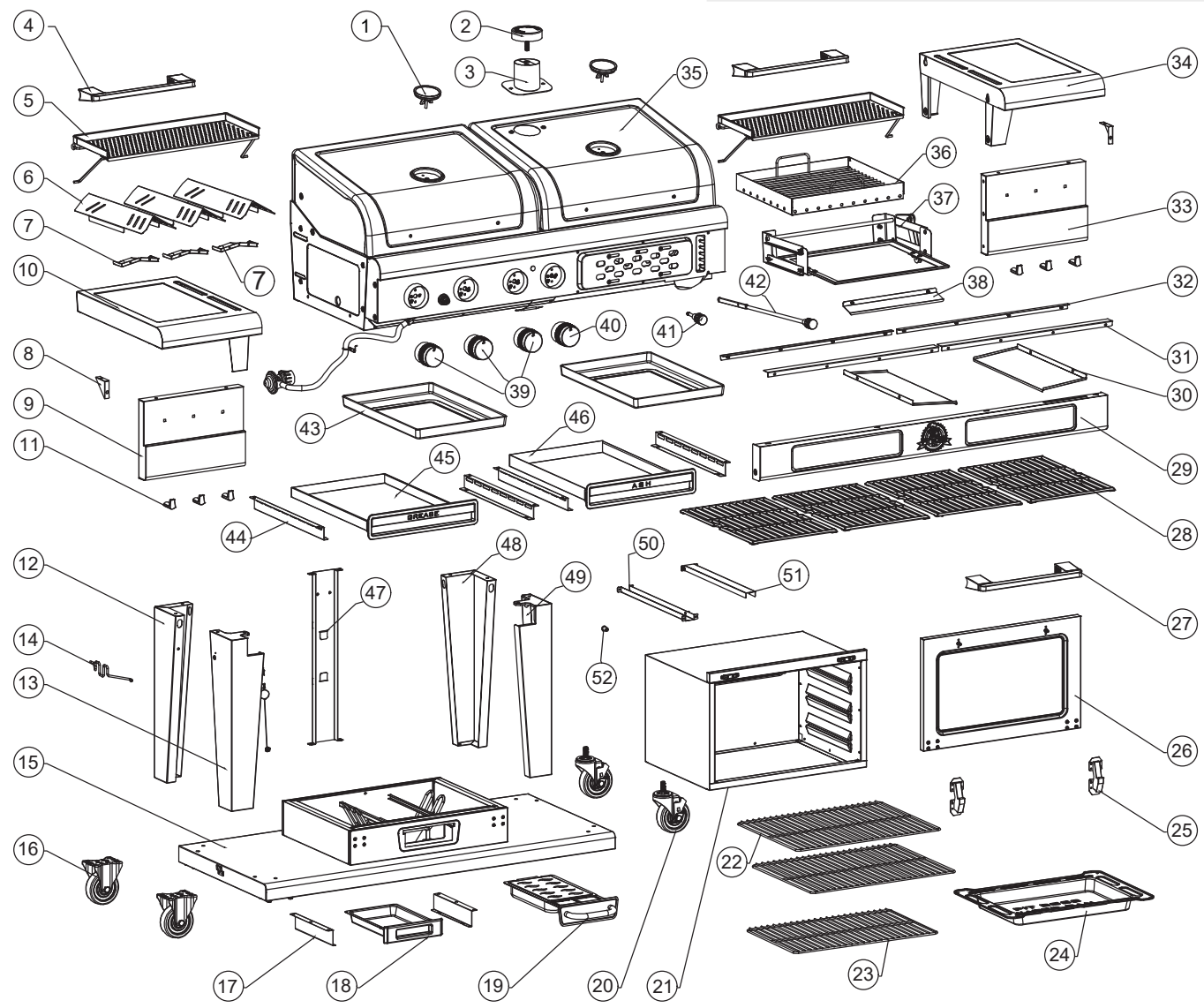
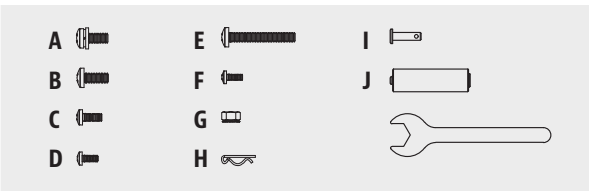
Part	Description	Qty
33	Right Side Shelf Panel	1
34	Right Side Shelf	1
35	Grill Chambers Assembly	1
36	Charcoal Tray	1
37	Charcoal Tray Lifting System	1
38	Back Grease Shield	1
39	Gas Control Knobs	3
40	Smoker Control Knob	1
41	Charcoal Tray Air Damper Handle	1
42	Charcoal Tray Lift Handle	1
43	Tray Foil Liner	2
44	Tray Guide	4
45	Grease Tray	1
46	Ash Cleanout Tray	1
47	Electric Wires Back Cover	1
48	Back-Right Support Leg	1
49	Front-Right Support Leg	1
50	Electric Wires Lower Cover	1
51	Electric Wires Upper Cover	1
52	Smoker Cabinet Knob	1
A	M6x15 mm Combination Screw	16
B	M6x15 mm Screw	57
C	M5x12 mm Screw	11
D	M4x10 mm Screw	28
E	M6x35 mm Screw	8
F	M4x8 mm Screw	16
G	M6 Nut	4
H	R Clip	3
I	Hinges Pin	2
J	AA Battery	1
-	Wheel Wrench	1

NOTE: Due to ongoing product development, parts are subject to change without notice. Contact Customer Service if parts are missing when assembling the unit.

**PB – ELECTRIC REQUIREMENTS**  
**110-120 V, 60 Hz, 1650 W\*, 3-PRONG GROUNDED PLUG**

\*Units in Canada have 1500 W.





MODEL	ASSEMBLED (WxDxH)	WEIGHT	BTU
PB PBMEMU2	1,880 X 635 X 1,230 MM / 74.0 X 25.0 X 48.4 IN.	100.0 KG / 220.4 LB	30,000

COOKING AREA		
<b>GAS GRILL</b>	<b>CHARCOAL GRILL</b>	<b>SMOKER CABINET</b>
TOP - 1,027.1 CM <sup>2</sup> / 159.2 IN <sup>2</sup> MAIN - 2,620.6 CM <sup>2</sup> / 406.2 IN <sup>2</sup> TOTAL - 3,647.7 CM <sup>2</sup> / 565.4 IN <sup>2</sup>	TOP - 1,027.1 CM <sup>2</sup> / 159.2 IN <sup>2</sup> MAIN - 2,620.6 CM <sup>2</sup> / 406.2 IN <sup>2</sup> TOTAL - 3,647.7 CM <sup>2</sup> / 565.4 IN <sup>2</sup>	TOP - 1,849.7 CM <sup>2</sup> / 286.7 IN <sup>2</sup> MIDDLE - 1,849.7 CM <sup>2</sup> / 286.7 IN <sup>2</sup> MAIN - 1,508.4 CM <sup>2</sup> / 233.8 IN <sup>2</sup> TOTAL - 5,207.8 CM <sup>2</sup> / 807.2 IN <sup>2</sup>
TOTAL GRILL - 12,503.2 CM <sup>2</sup> / 1,938 IN <sup>2</sup>		

# ASSEMBLY PREPARATION

Parts are located throughout the shipping carton, including underneath the grill. Inspect the grill, parts, and hardware blister pack after removing from the protective shipping carton. Discard all packaging materials from inside and outside of the grill before assembly, then review and inspect all parts by referencing the parts list. If any part is missing or damaged, do not attempt to assemble. Shipping damage is not covered under warranty. Contact your dealer or Pit Boss® Customer Care for parts.

USA: (480) 923-9630 | Canada (Toll Free): 1-877-942-2246  
www.pitboss-grills.com

**IMPORTANT:** To ease installation and avoid injury, two people are required when assembling this unit.

**Tools required for assembly:** screwdriver and wrench. *A wrench for the wheels is included.*

## ASSEMBLY INSTRUCTIONS

**IMPORTANT:** It is advised to read each step entirely before starting assembly on instructions. Do not tighten screws completely until all screws for that step have been installed.

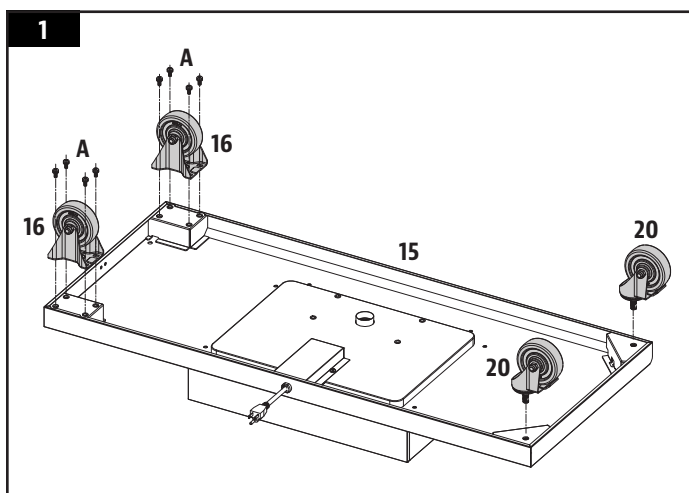
### 1. MOUNTING THE CART WHEELS

#### Parts Required:

- 1 x Lower Cabinet Assembly (#15)
- 2 x Casters (#16)
- 2 x Locking Casters (#20)
- 8 x M6x15 mm Combination Screw (#A)

#### Installation :

- Place a piece of cardboard on the floor to prevent scratching the unit. Turn the Lower Cabinet Assembly upside down. Mount the two Casters to the Lower Cabinet Assembly using eight screws, as shown.
- Next, mount the Locking Casters into the Lower Cabinet Assembly. Tighten the Locking Casters into place using the wheel wrench (included).



### 2. MOUNTING THE SMOKER GREASE CUP SUPPORTS

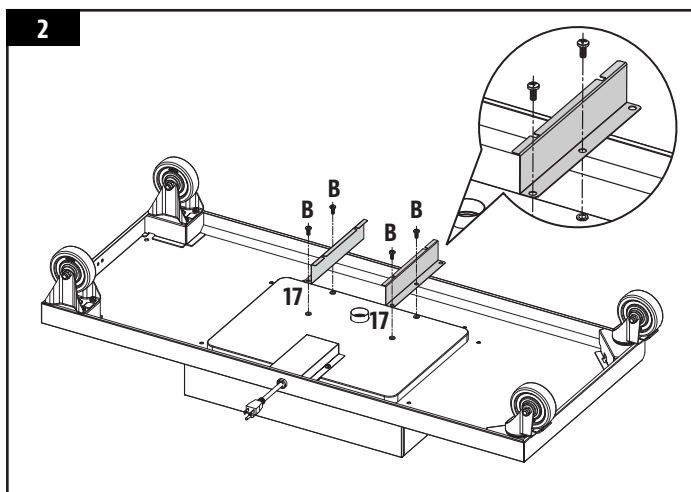
#### Parts Required:

- 2 x Smoker Grease Cup Supports (#17)
- 4 x M6x15 mm Screw (#B)

#### Installation :

- Mount the Smoker Grease Cup Supports to the center of the Lower Cabinet Assembly. Ensure the ledges face inward, as shown, so the Smoker Grease Cup can be held in place (future step).

**NOTE:** Only two of the three holes will be used once mounted. This is correct.



### 3. MOUNTING THE FRONT SUPPORT LEGS

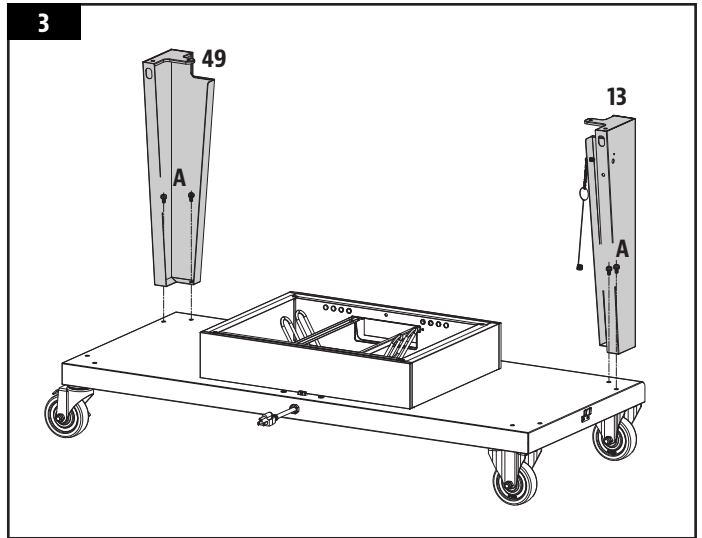
**Parts Required:**

- 1 x Front-Left Support Leg (#13)
- 1 x Front-Right Support Leg (#49)
- 4 x M6x15 mm Combination Screw (#A)

**Installation :**

- First, carefully turn the Cart into to an upright position with the wheels on the bottom.
- Mount each of the Front Support Legs to the corners of the Lower Cabinet Assembly using two combination screws in each Support Leg.

**IMPORTANT: The combination screws are a pre-assembled set of a screw, locking washer, and washer. Keep the set together when mounting.**



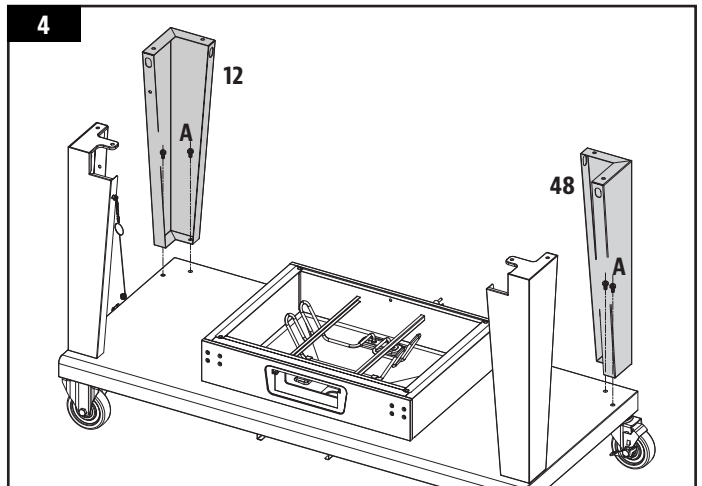
### 4. MOUNTING THE BACK SUPPORT LEGS

**Parts Required:**

- 1 x Back-Left Support Leg (#12)
- 1 x Back-Right Support Leg (#48)
- 4 x M6x15 mm Combination Screw (#A)

**Installation :**

- Mount each of the Back Support Legs to the corners of the Lower Cabinet Assembly using two combination screws in each Support Leg.



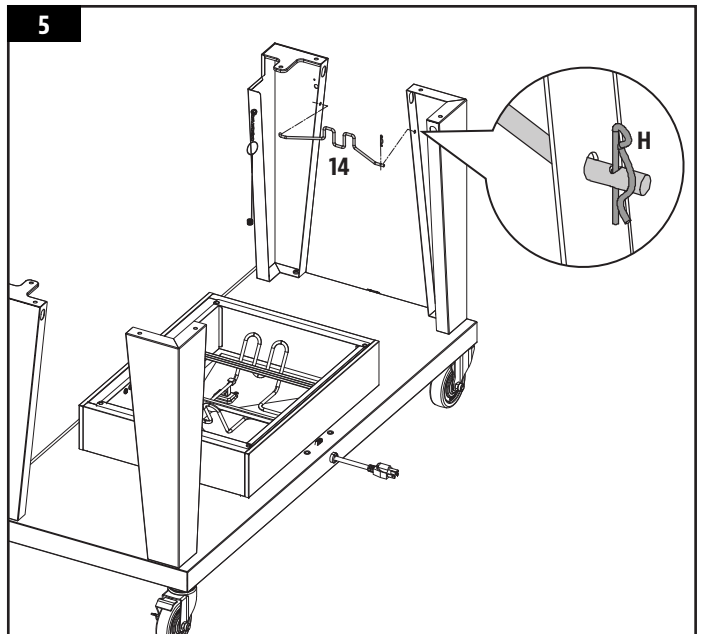
### 5. ATTACHING THE LP GAS CYLINDER WIRE RETAINER

**Parts Required :**

- 1 x LP Gas Cylinder Wire Retainer (#14)
- 1 x R-Clip (#H)

**Installation :**

- Insert the LP Gas Cylinder Wire Retainer between the Support Legs on the left side of the unit. Insert the hooked end first, then secure the other end using the R-Clip. Note illustration.



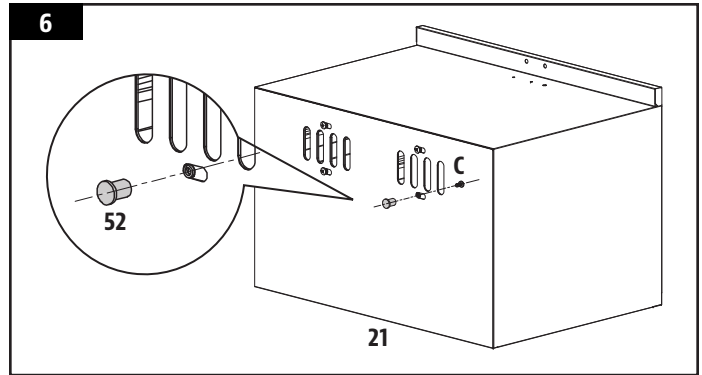
## 6. MOUNTING THE KNOB TO THE AIR DAMPER

### Parts Required :

- 1 x Smoker Cabinet Assembly (#21)
- 1 x Smoker Cabinet Knob (#52)
- 1 x M5x12 mm Screw (#C)

### Installation :

- Mount the Knob to the Air Damper on the back side of the Smoker Cabinet. Secure with screw from the inside.



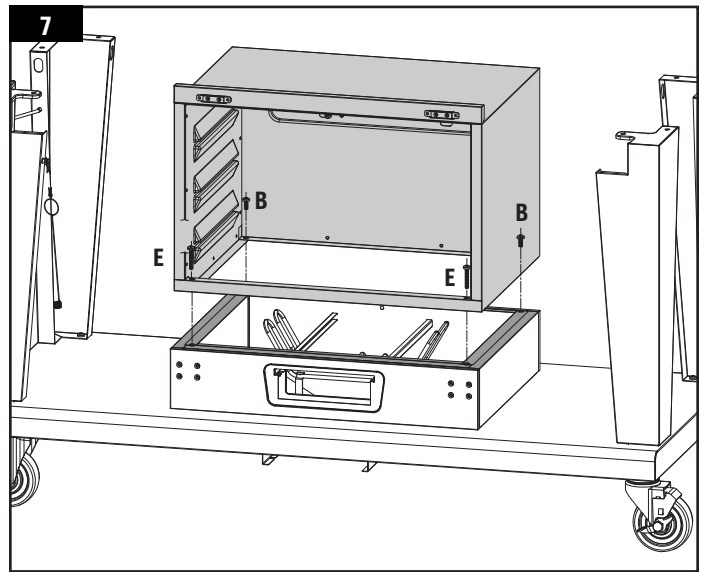
## 7. ATTACHING THE SMOKER CABINET ASSEMBLY

### Parts Required :

- 2 x M6x15 mm Screw (#B)
- 2 x M6x35 mm Screw (#E)

### Installation :

- Attach Smoker Cabinet Assembly to the Lower Cabinet Assembly. Note illustration for proper location of different screws.



## 8. INSERTING THE WOOD CHIP BOX, SMOKER GREASE CUP

### Parts Required :

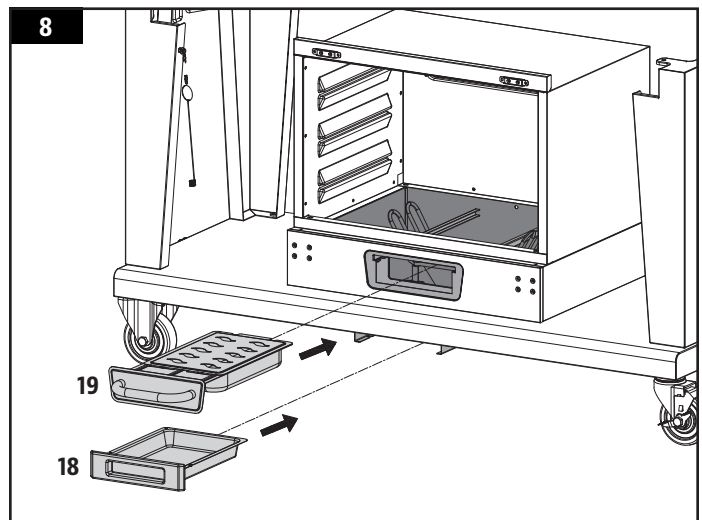
- 1 x Smoker Grease Cup (#18)
- 1 x Wood Chip Box Assembly (#19)

### Installation :

- Slide the Wood Chip Box Assembly onto the Wood Chip Box support rails of Lower Cabinet Assembly.

**NOTE: When removing the Wood Chip Box from the smoker, lift up on the handle and then pull out the Wood Chip Box.**

- Slide the Smoker Grease Cup into the Smoker Grease Cup Support rails of the Lower Cabinet Assembly.



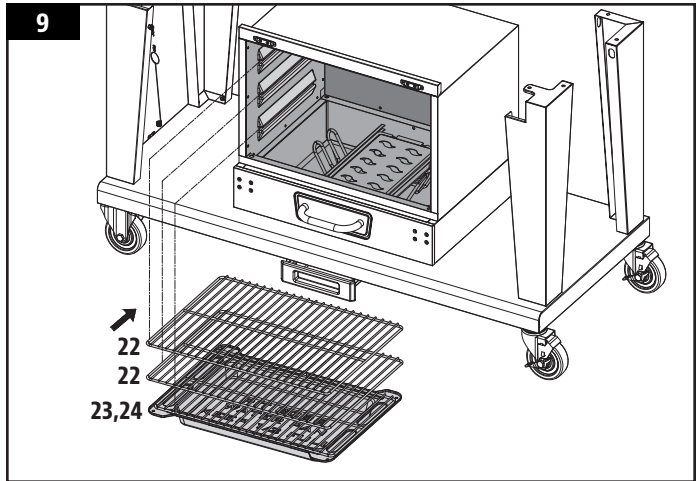
## 9. PLACING THE SMOKER CABINET COOKING COMPONENTS

### Parts Required :

- 2 x Smoker Cooking Grid A (#22)
- 1 x Smoker Cooking Grid B (#23)
- 1 x Water Pan (#24)

### Installation :

- First, rest Smoker Cooking Grid B on top of the Water Pan, then slide the Water Pan into the lowest rail position in the Smoker Cabinet.
- Slide Smoker Cooking Grids A into the other rails of the Smoker Cabinet. Note illustration for proper arrangement.



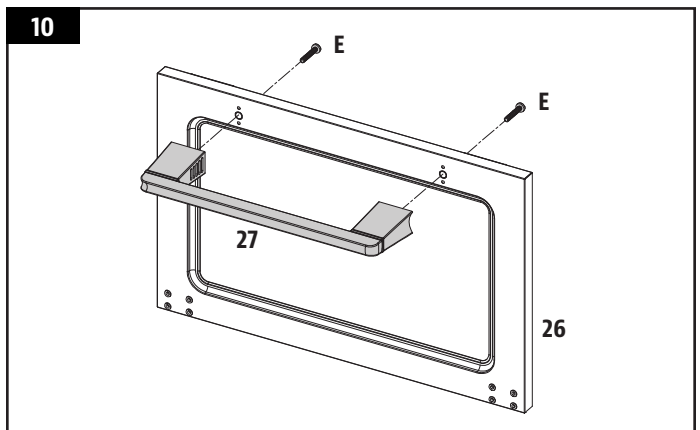
## 10. MOUNTING THE SMOKER DOOR HANDLE

### Parts Required :

- 1 x Smoker Door (#26)
- 1 x Smoker Door Handle (#27)
- 2 x M6x35 mm Screw (#E)

### Installation :

- Mount the Smoker Door Handle onto the Smoker Door using two screws.



## 11. MOUNTING THE SMOKER DOOR HINGES

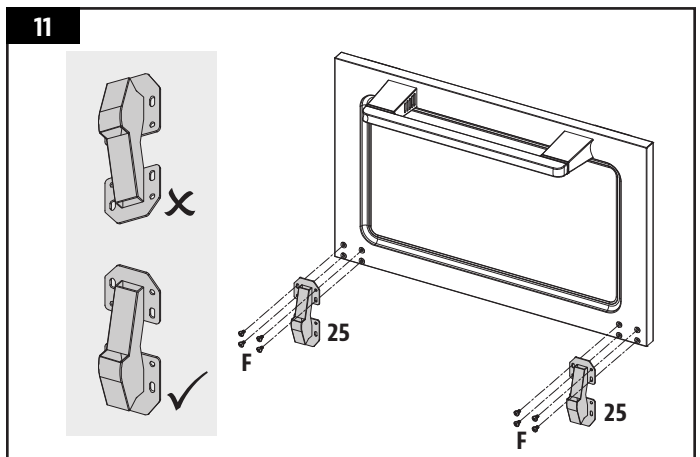
### Parts Required :

- 2 x Smoker Door Hinges (#25)
- 8 x M4x8 mm Screw (#F)

### Installation :

- Mount the two Smoker Door Hinges to the Smoker Door using four screws in each hinge.

**IMPORTANT: Take note of proper orientation of the Smoker Door Hinge during installation.**



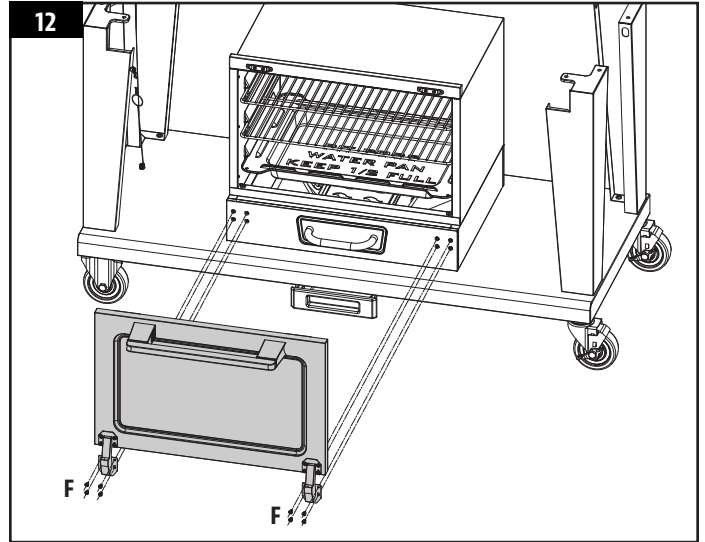
## 12. INSTALLING THE SMOKER DOOR

### Parts Required :

8 x M4x8 mm Screw (#F)

### Installation :

- Mount the Smoker Door to Lower Cabinet Assembly, as shown in illustration. Once installed, the Smoker Door should be able to be open and closed with ease.



## 13. MOUNTING THE WIRES LOWER COVER

### Parts Required :

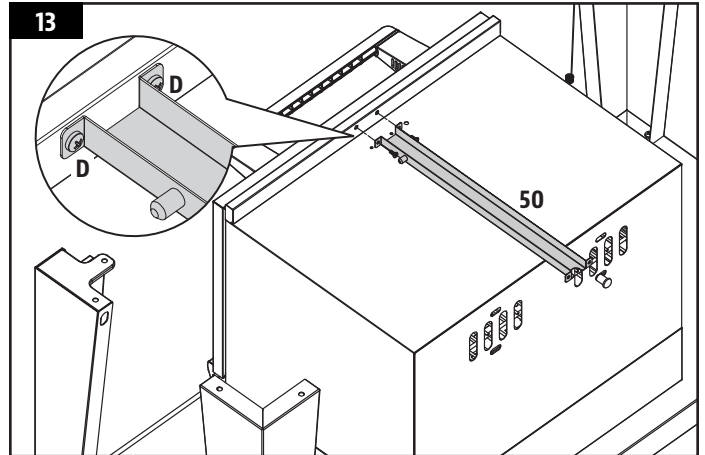
1 x Electric Wires Lower Cover (#50)

2 x M4x10 mm Screws (#D)

### Installation :

- Mount the Electrical Wires Lower Cover to the top of the Smoker Cabinet using two screws, as shown.

**NOTE: This Lower Cover is a channel for the Electric Wires to pass through (future step).**



## 14. INSTALLING THE TRAY GUIDES

### Parts Required:

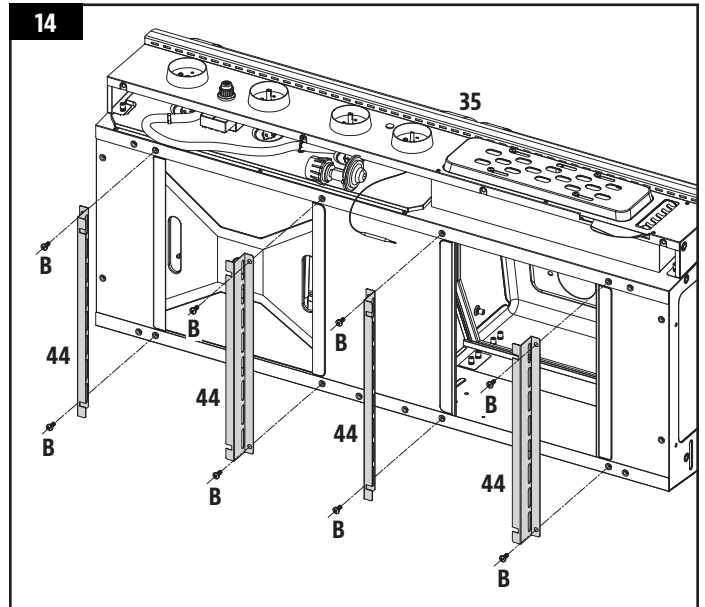
1 x Grill Chambers Assembly (#35)

4 x Tray Guides (#44)

8 x M6x15 mm Screw (#B)

### Installation :

- First, tilt the Grill Chambers Assembly onto its backside on the floor, as shown, to ease installation.
- Mount two Tray Guides to the bottom of the Gas Grill Chamber using two screws in each Tray Guide. Ensure the ledges face inward, as shown, so the Grease Tray can be held in place (future step).
- Repeat same installation of the next two Tray Guides to the bottom of the Charcoal Grill Chamber using two screws in each Tray Guide. Ensure the ledges face inward, as shown, so the Ash Cleanout Tray can be held in place (future step).





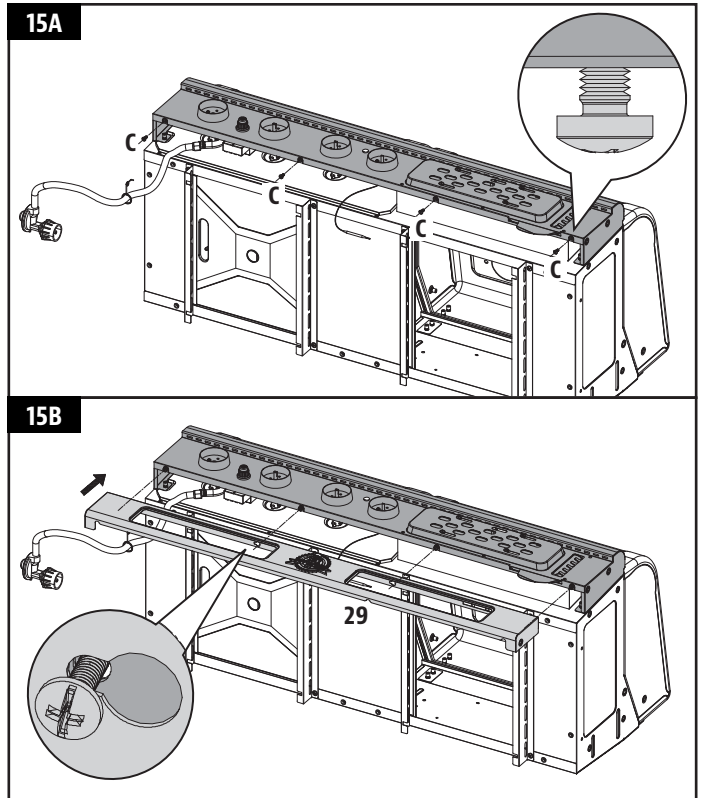
## 15. MOUNTING THE LOWER CONTROL PANEL

### Parts Required :

- 1 x Lower Control Panel (#29)
- 4 x M5x12 mm Screw (#C)

### Installation :

- First, remove the twist tie on the front of the Grill Chambers Assembly to lower the hose.
- Install four screws into the Upper Control Panel, leaving about 6mm / 1/4 inch of the screw out. Note illustration 15A.
- Next, hang the Lower Control Panel onto the four screws, slide the entire panel to the side to lock into position, then tighten the screws to secure. Note illustration 15B.



## 16. MOUNTING THE GRILL ONTO THE CART

### Parts Required :

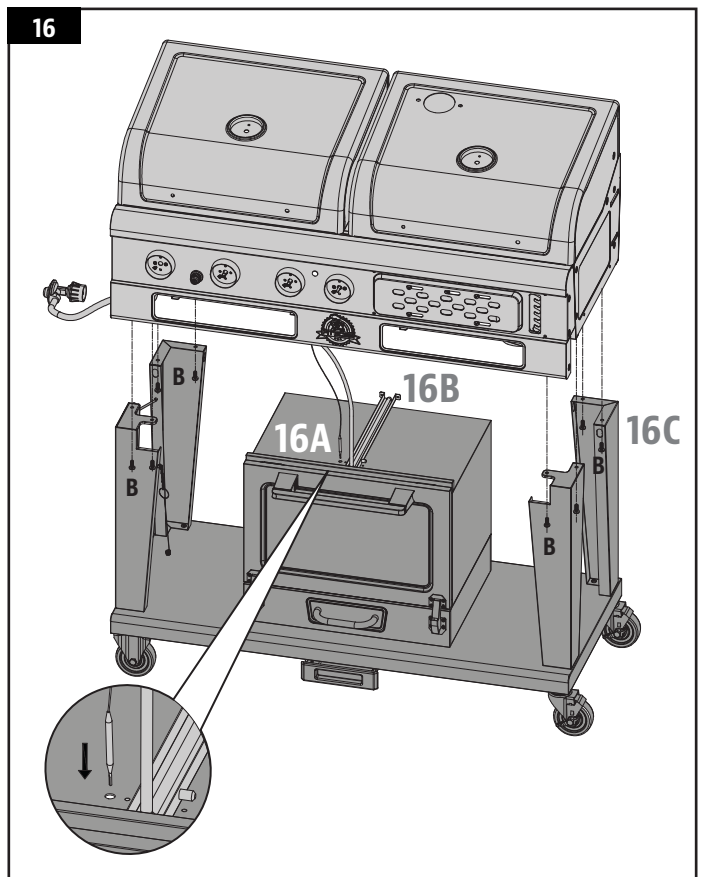
- 8 x M6x15 mm Screws (#B)

### Installation :

- First, remove the twist tie on the back of the Upper Control panel. Pull out the Smoker Electric Wires and Smoker Temperature Sensor, taking extreme care of these two items.

**WARNING: Do not pinch the Smoker Electric Wires and Smoker Temperature Sensor during the assembly, as this will affect the operation of your Smoker Cabinet.**

- Prepare the Grill Chambers Assembly to be mounted to the Cart. Position the Cart next to the Grill Chambers Assembly, with both facing the same direction. Using a second person, prepare to lift the Grill Chambers Assembly onto the Cart. Carefully lift the Grill Chambers Assembly, and slowly lower onto the Cart. Insert the Smoker Temperature Sensor through the hole on the top of the Smoker Cabinet (see 16A). Place the Electric Wires in the Wires Lower Cover, allowing them to hang towards the back of the unit (see 16B). Next, secure each Support Leg to the Grill Chambers Assembly using two screws in each Support Leg (see 16C).



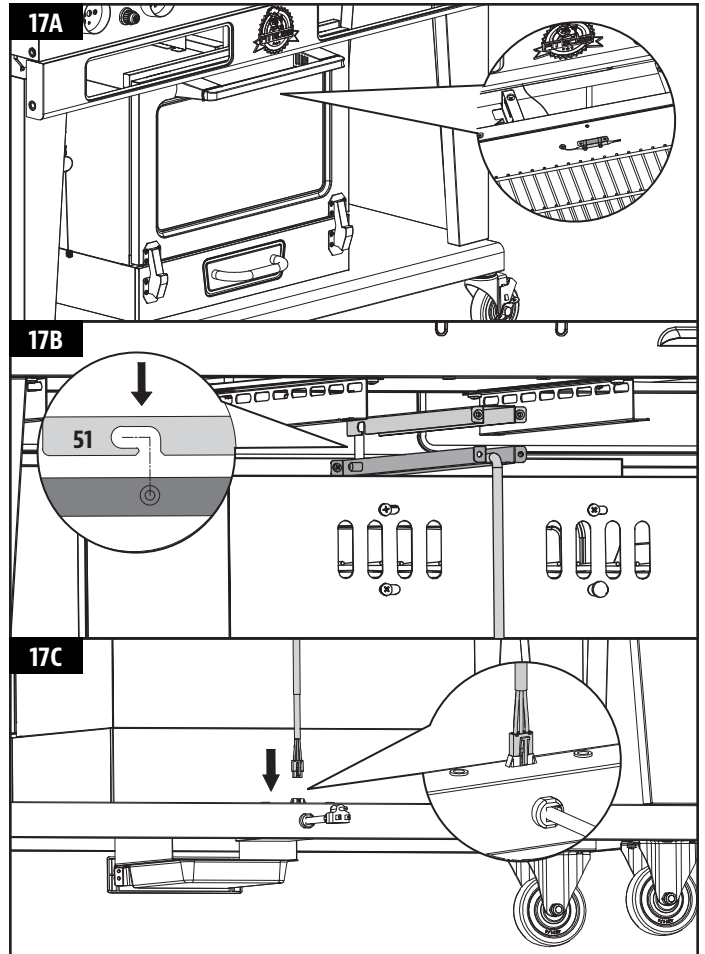
## 17. CONNECTING THE ELECTRICAL COMPONENTS FOR THE SMOKE CABINET

### Parts Required :

- 1 x Electric Wires Upper Cover (#51)

### Installation :

- First, secure the Smoker Temperature Sensor into the clip located inside the top of the Smoker Cabinet. Note illustration 17A.
- Next, from the back-underside of the Grill Chambers, mount the Electric Wires Upper Cover to the Electric Wires Lower Cover by aligning and locking the pin. Note steps in illustration 17B.
- Lastly, pull the rest of the Electric Wires along the back of the Smoker Cabinet, and insert the connector end into the connection port on the bottom Shelf of the Cart. This completes the circuit to give power to the Smoke Cabinet once connected to a power source. Note illustration 17C.



## 18. ATTACHING THE ELECTRICAL BACK COVER

### Parts Required :

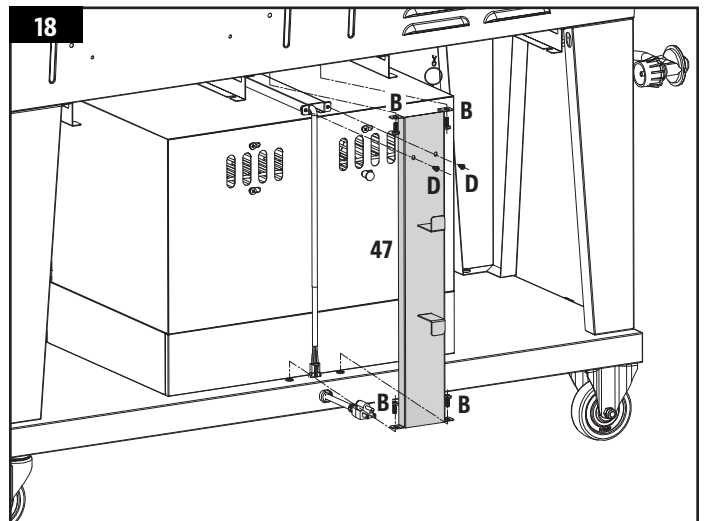
- 1 x Electric Wires Back Cover (#47)
- 4 x M6x15 mm Screw (#B)
- 2 x M4x10 mm Screw (#D)

### Installation :

- Attach the Electric Wires Back Cover to the back of the Smoker Cabinet using four screws (#B).

**NOTE: It is recommended to assemble the screws on the top side first and then the bottom.**

- Complete the installation by using another two screws (#D) to secure the Electric Wires Back Cover to the Upper/Lower Wires Cover.





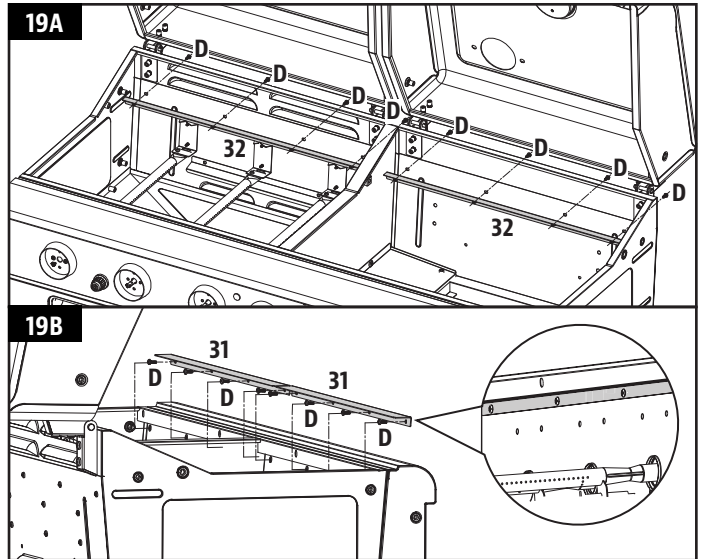
## 19. INSTALLING THE COOKING GRID SUPPORTS

### Parts Required :

- 2 x Cooking Grid Front Supports (#31)
- 2 x Cooking Grid Back Supports (#32)
- 16 x M4x10 mm Screws (#D)

### Installation :

- Install a Cooking Grid Back Support to the back panel of each Grill Chamber. Note illustration 19A.
- Install a Cooking Grid Front Support to the front panel of each Grill Chamber. Note illustration 19B.



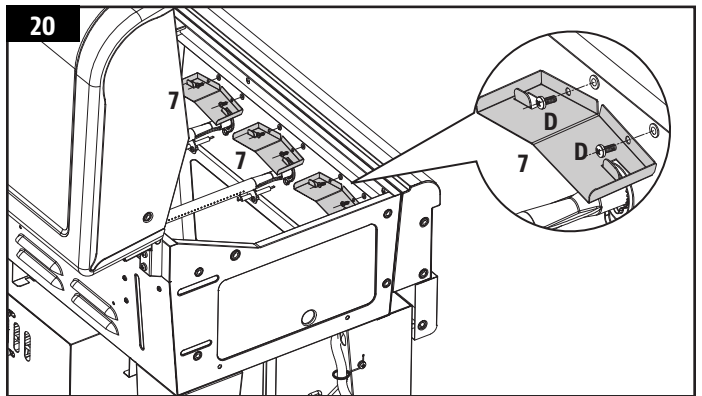
## 20. INSTALLING THE HEAT TENT SUPPORTS

### Parts Required :

- 3 x Heat Tent Supports (#7)
- 6 x M4x10 mm Screws (#D)

### Installation :

- Install each of the three Heat Tent Supports to the front side of Gas Main Chamber using two screws in each support.



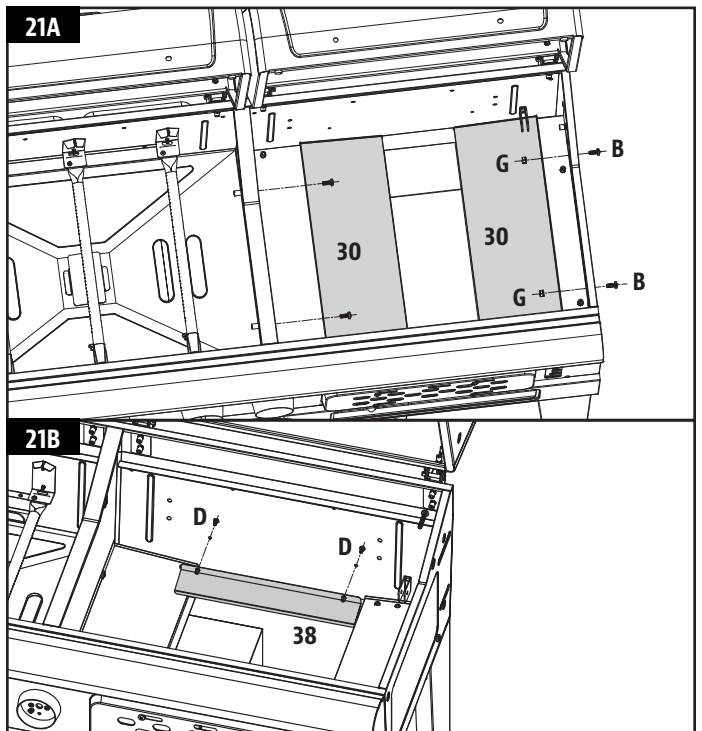
## 21. MOUNTING THE GREASE SHIELDS

### Parts Required :

- 2 x Grease Shield (#30)
- 1 x Back Grease Shield (#38)
- 2 x M6x15 mm Screw (#B)
- 2 x M4x10 mm Screw (#D)
- 2 x M6 Nut (#G)

### Installation :

- First, remove the two pre-installed screws on the center partition between the two Grill Chambers. Mount one Grease Shield to the left side of the Charcoal Grill Chamber using the same screws.
- Next, mount the second Grease Shield to the right side of the Charcoal Grill Chamber using two screws (#B) and securing with a nut. Note illustration 21A.
- Lastly, mount the Back Grease Shield to the back side of the Charcoal Grill Chamber using two screws (#D). Note illustration 21B.



## 22. INSTALLING THE CHARCOAL TRAY LIFTING SYSTEM

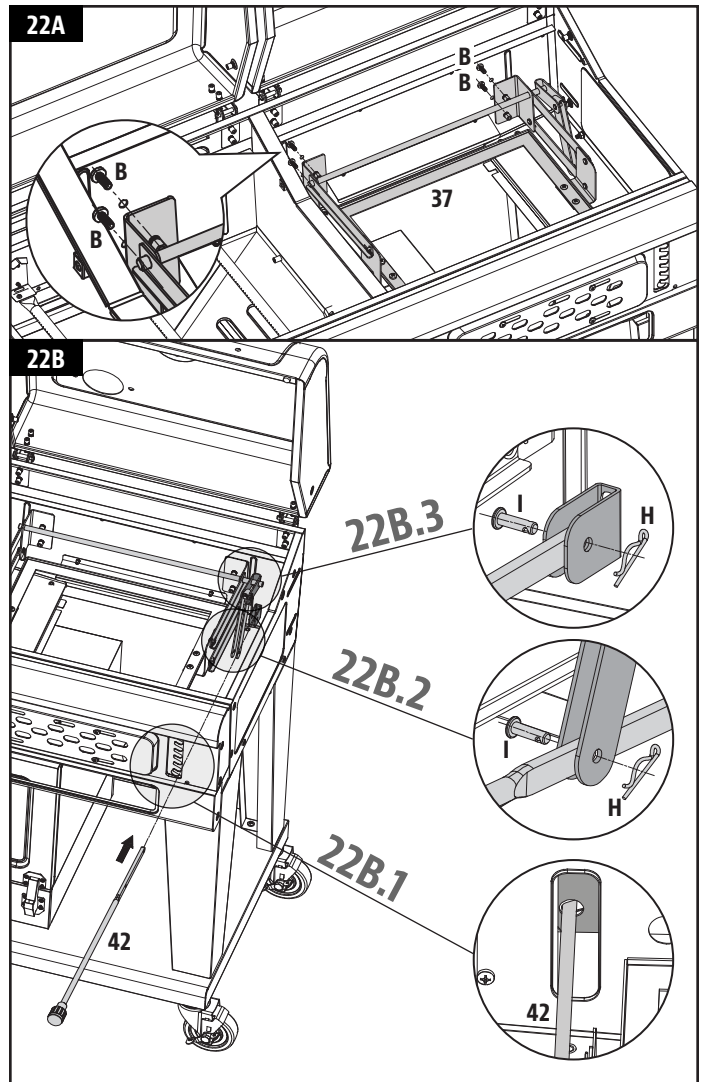
### Parts Required :

- 1 x Charcoal Tray Lifting System (#37)
- 1 x Charcoal Tray Lift Handle (#42)
- 4 x M6x15 mm Screws (#B)
- 2 x Hinge Pin (#I)
- 2 x R Clips (#H)

### Installation :

- First, install the Charcoal Tray Lifting System to the Charcoal Grill Chamber. Mount from the outside of the Charcoal Grill Chamber. Note illustration 22A.
- Next, insert the Charcoal Tray Lift Handle through the adjusting slot on the front of the unit (see 22B.1). Continue to push the Handle rod through the narrow "U" shaped bracket (see 22B.2), then align the hole in the end of the wide "U" shaped bracket (see 22B.3) located at the back of the Charcoal Main Chamber. Join the Lift Handle and the "U" shaped Brackets by inserting a Hinge Pin and securing with an R-clip.
- Remove any twist ties located on the Charcoal Tray Lifting System once all is secured.

**TEST THE HANDLE:** To adjust the Charcoal Tray Lifting System to your desired height by moving the Lift Handle to the left and then raising or lowering it.



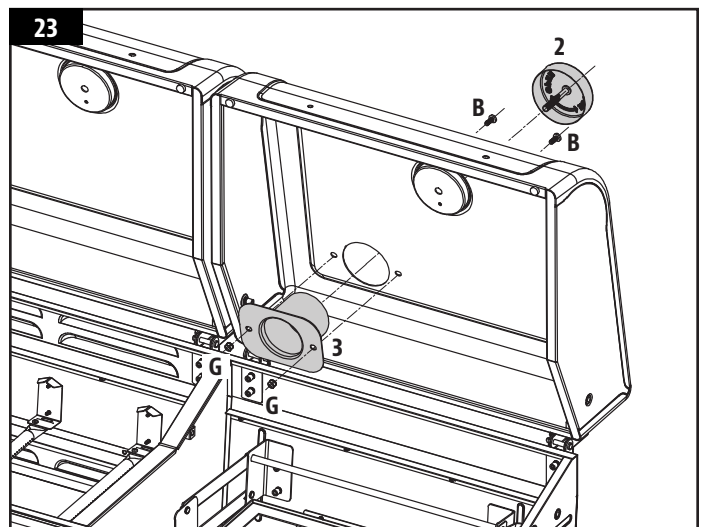
## 23. MOUNTING THE SMOKE STACK

### Parts Required :

- 1 x Smoke Stack Lid (#2)
- 1 x Smoke Stack (#3)
- 2 x M6x15 mm Screws (#B)
- 2 x M6 Nuts (#G)

### Installation :

- Remove the Smoke Stack Lid from the Smoke Stack. Insert the Smoke Stack through the Charcoal Grill Chamber Lid from the inside. Secure the Smoke Stack from the outside of the Lid, and fasten with a nut (from the inside). Screw the Smoke Stack Lid onto the Smoke Stack fasten.



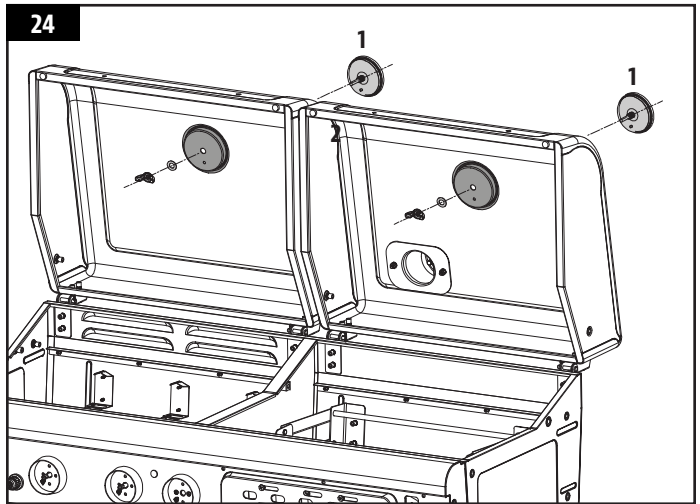
## 24. INSERTING THE THERMOMETERS

### Parts Required :

2 x Thermometers (#1)

### Installation :

- First, remove the fiber washer and wing nut from both Thermometers.
- Next, insert a Thermometer stem through the mounting hole on the top of a Grill Chamber Lid. From the inside, place the fiber washer and wing nut onto the mounting thread pole and tighten by hand. Do not over tighten. Repeat the same installation for the other Grill Chamber Lid.



## 25. INSTALLING THE WARMING RACKS

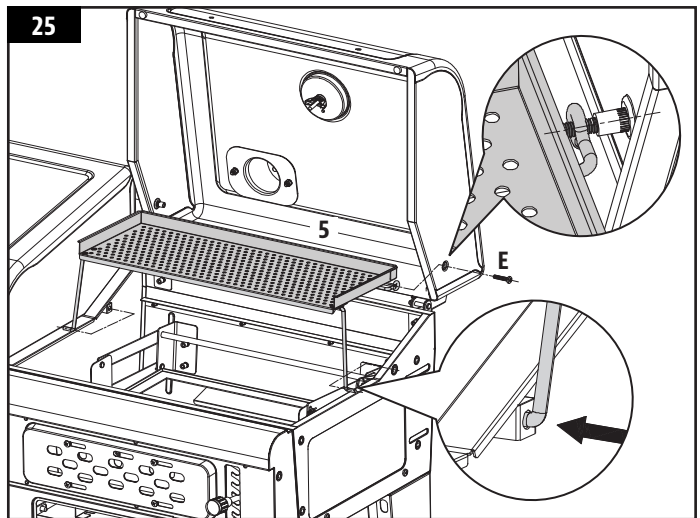
### Parts Required :

2 x Warming Rack (#5)

4 x M6x35 mm Screw (#E)

### Installation :

- Protrude one screw through the Charcoal Grill Chamber Lid from the outside, position the Warming Rack, then insert the screw into the wire loop. Align the front legs of the Warming Rack into the anchor holes to secure. Repeat same installation for Warming Rack in the Gas Grill Chamber.



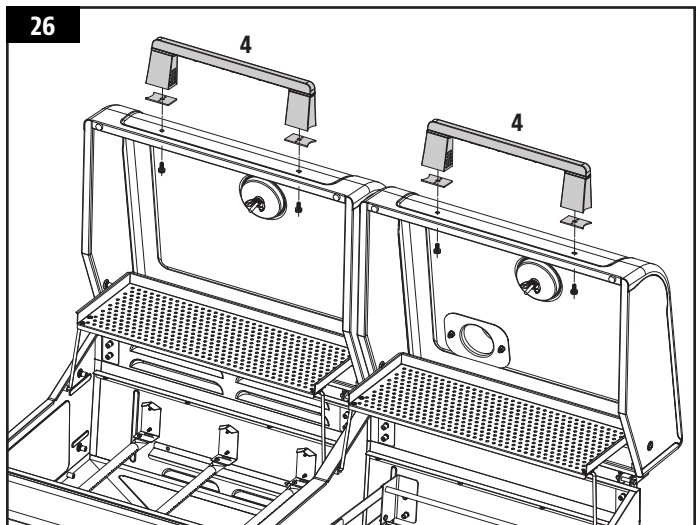
## 26. MOUNTING THE LID HANDLES

### Part Required :

2 x Lid Handles (#4)

### Installation :

- First, remove the screws and heat insulation spacer pre-installed on the Lid Handles.
- Mount the Lid Handle onto each of the Grill Chamber Lids, placing the heat insulation spacer between the Lid Handle and the Lid, as shown in illustration.



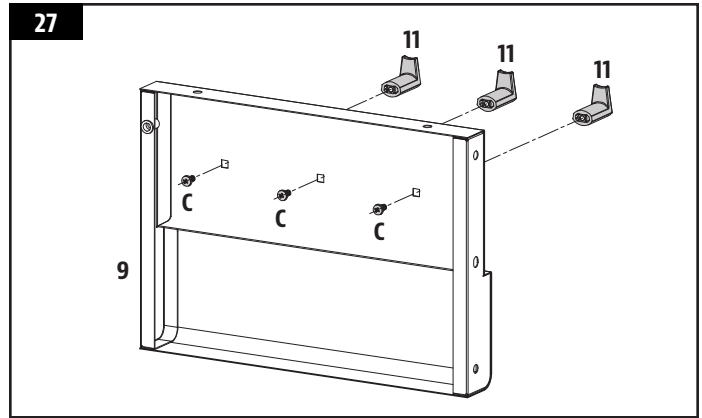
## 27. INSTALLING THE TOOL HOOKS

### Parts Required :

- 1 x Left Side Shelf Panel (#9)
- 1 x Right Side Shelf Panel (#33)
- 6 x Tool Hooks (#11)
- 6 x M5x12 mm Screw (#C)

### Installation :

- Install a Tool Hook into each hole on the Left Side Shelf Panel, securing with a screw. Repeat the same steps for the Right Side Shelf Panel. Note illustration.



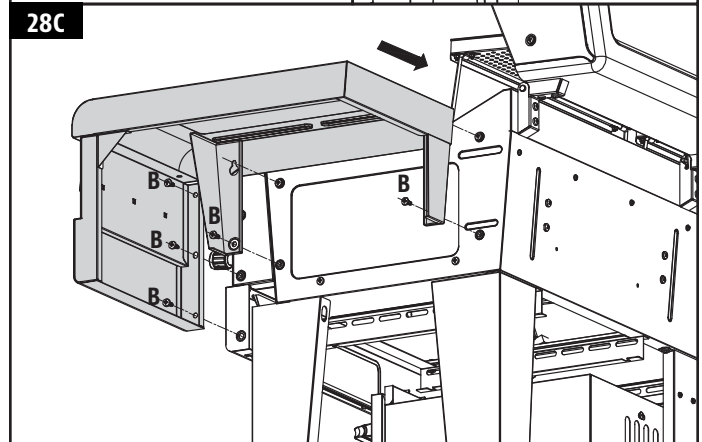
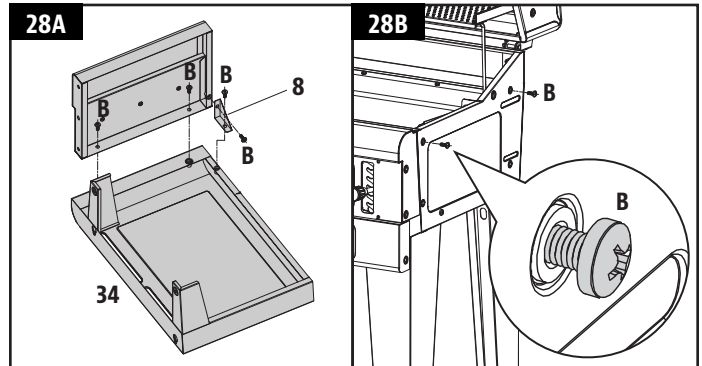
## 28. MOUNTING THE SIDE SHELVES

### Parts Required :

- 2 x Side Shelf Support (#8)
- 1 x Left Side Shelf (#10)
- 1 x Right Side Shelf (#34)
- 22 x M6x15 mm Screw (#B)

### Installation :

- First, assemble the Side Shelves for the Left Side and Right Side of the unit. Mount the Side Shelf to the Side Shelf Panel using two screws. Reinforce the Side Shelf by installing the Shelf Support using another two screws, as shown in illustration 28A.
- Start installation with the Right Side Shelf. Install two screws onto the right side of the unit, leaving about 6mm / 1/4 inch out. Hang the Right Side Shelf onto the screws, push down to lock into position, then tighten the screws to secure. Note illustration 28B.
- Complete the installation by securing another five screws, as shown in illustration 28C.
- Repeat the same assembly and installation steps on the left side of the unit with the Left Side Shelf.



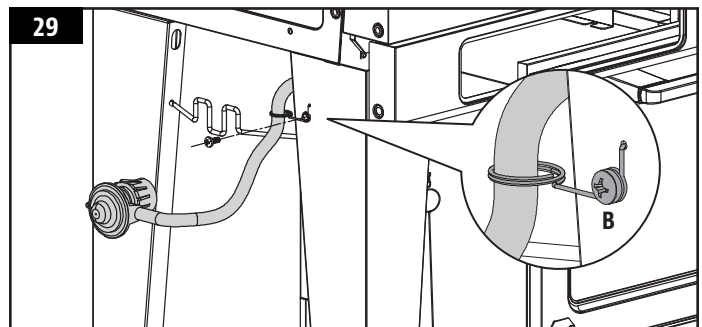
## 29. MOUNTING THE WIRE HOSE RETAINER

### Part Required :

- 1 x M6x15 mm Screw (#B)

### Installation :

- The Hose Wire Retainer is pre-assembled on the hose. Attach the Hose Wire Retainer to the front-left Support Leg, as shown, using one screw.





### 30. INSTALLING THE GREASE, ASH TRAYS

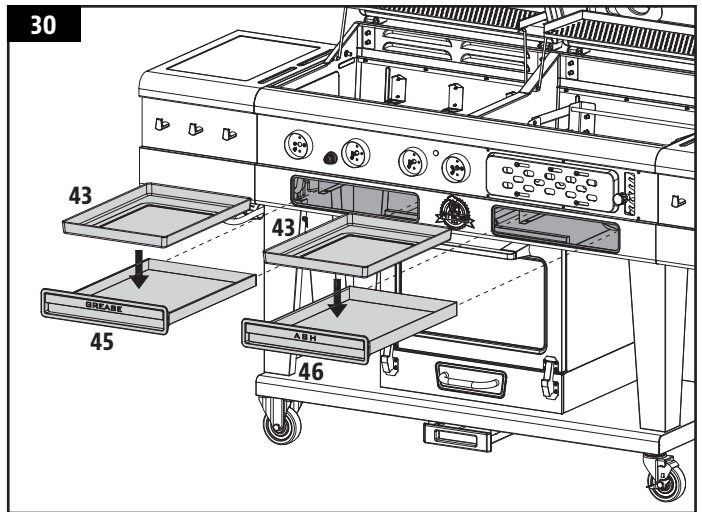
#### Parts Required :

- 2 x Tray Foil Liners (#43)
- 1 x Grease Tray (#45)
- 1 x Ash Cleanout Tray (#46)

#### Installation :

- Place a Tray Foil Liner into the Grease Tray, then slide the Grease Tray into the front opening below the Gas Grill Chamber.
- Place a Tray Foil Liner into the Ash Cleanout Tray, then slide the Ash Tray into the front opening below the Charcoal Grill Chamber.

**IMPORTANT:** Ensure each tray is inserted completely towards the back so there is no mess. Trays must be installed during operation of the unit.



### 31. PLACING THE CONTROL KNOBS

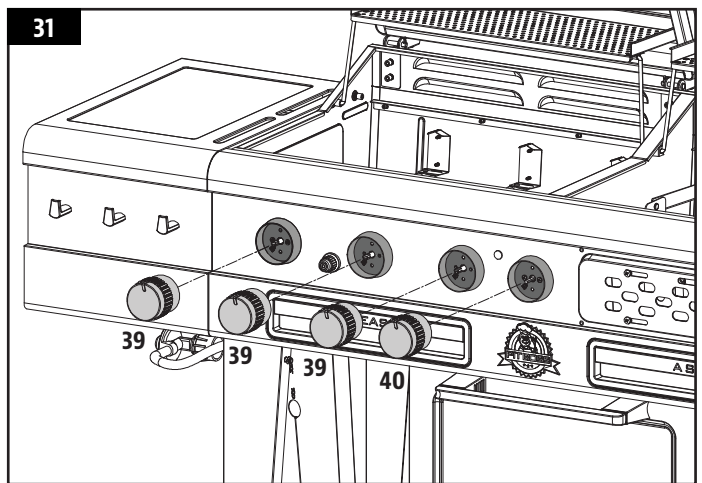
#### Parts Required :

- 3 x Gas Control Knobs (#39)
- 1 x Smoker Control Knob (#40)

#### Installation :

- Place all four Control Knobs for onto each protruding valve stem, making certain to align the flat portion of the stem with the flat portion of the Control Knob. Push each Control Knob onto the stem until it is firmly seated.

**NOTE:** The Control Knobs look the same, but their purpose and mounting holes are different.



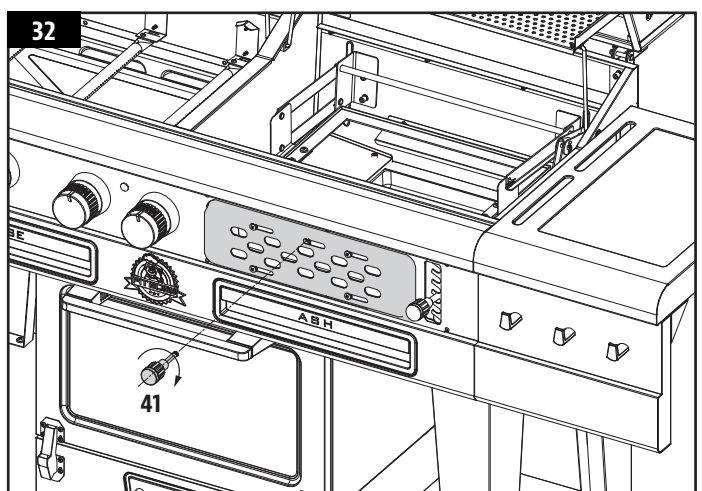
### 32. ATTACHING THE CHARCOAL TRAY AIR DAMPER HANDLE

#### Parts Required :

- 1 x Charcoal Tray Air Damper Handle (#41)

#### Installation :

- Install the Charcoal Tray Air Damper Handle Assembly onto the Charcoal Chamber Air Damper. Once installed, the handle should slide the Air Damper from left to right smoothly to control the airflow of the Charcoal Grill Chamber.



### 33. POSITIONING THE HEAT TENTS

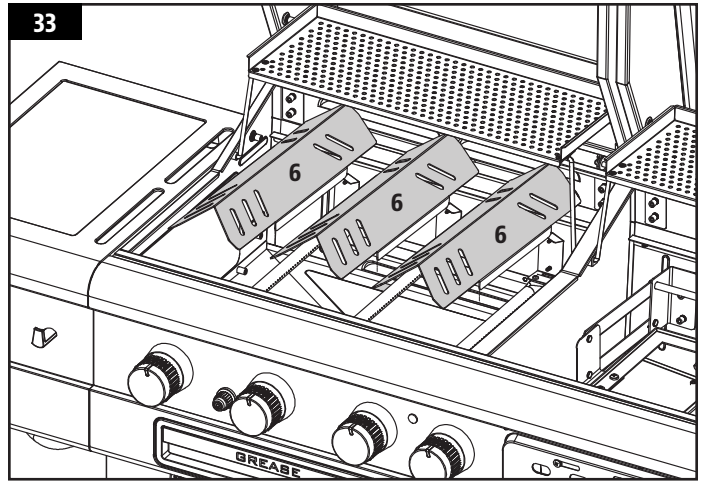
**Parts Required :**

3 x Heat Tents (#6)

**Installation :**

- Place each Heat Tent onto a Heat Tent Supports in the Gas Grill Chamber.

**NOTE: The back end of the Heat Tents should be place below the Cooking Grid Supports.**



### 34. PLACING THE CHARCOAL TRAY

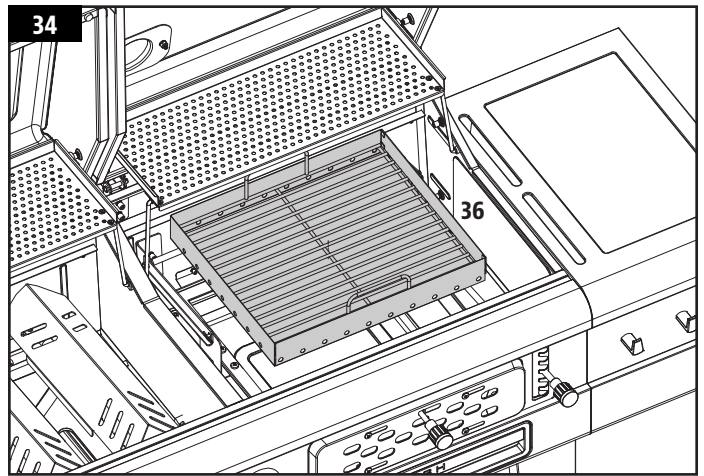
**Parts Required :**

1 x Charcoal Tray (#36)

**Installation :**

- Place the Charcoal Tray onto the frame of the Charcoal Tray Lifting System.

**NOTE: The handles of the Charcoal Tray should be in the front and back. This ensures the Charcoal Tray is positioned correctly in the frame.**



### 35. PLACING THE COOKING GRIDS

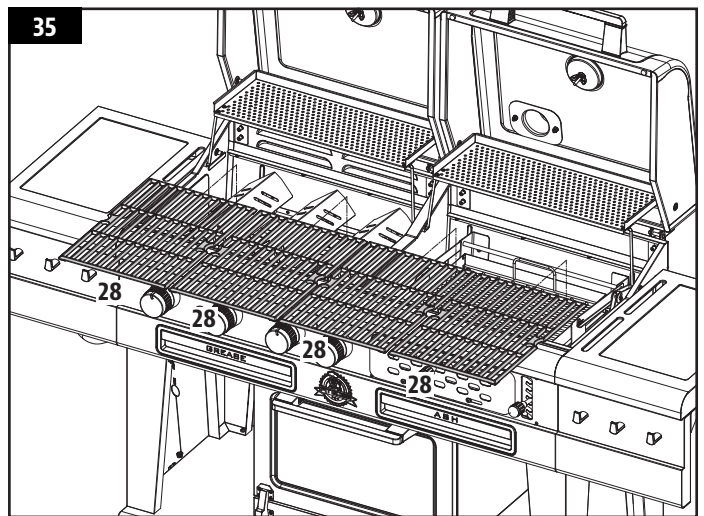
**Part Required :**

4 x Cooking Grids (#28)

**Installation :**

- Place the Cooking Grids onto the Cooking Grid Supports of each Grill Chamber: two in the Gas Grill Chamber, two in the Charcoal Grill Chamber.

**NOTE: Both Grill Chambers have the same size Cooking Grids.**



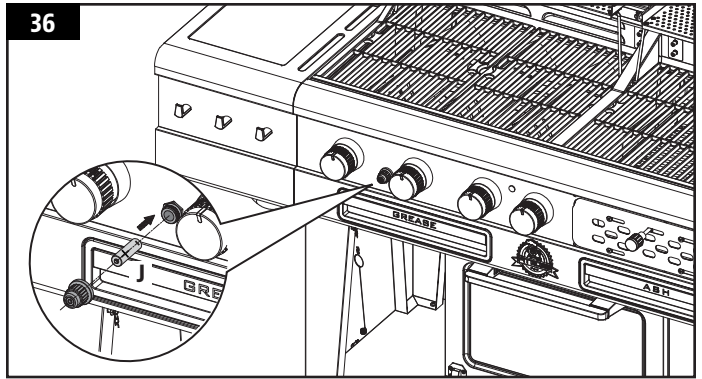
## 36. INSTALLING THE BATTERY

### Part Required :

1 x AA Battery (#J)

### Installation :

- Unscrew the igniter cap from the front control panel. Insert the Battery into the battery slot with the positive end (+) facing outward. Screw the cap back onto panel.
- The unit is now completely assembled.



## FINAL NOTES

- It is highly recommended to wipe the exterior of your unit clean of debris, dirt, etc., using warm soapy water and a soft cloth.
- Remove all advertising and any glue residue.
- Use a vinegar and water solution to clean the glass on the Smoker Cabinet. Do not use a glass cleaner as this will leave a film on the glass, which could bake on.