

# OWNER'S MANUAL



## Double Play™

**Model #5650**

Patented



**Keep your receipt with this manual  
for Warranty.**



# TABLE OF CONTENTS

Safety Warnings & Warranty.....	A-1
Assembly Instructions .....	B-1
Product Usage .....	C-1
Recipes .....	D-1
Accessories .....	E-1



## Danger

If you smell gas:

1. Shut off gas to the appliance.
2. Extinguish any open flame.
3. Open Lid.
4. If odor continues, keep away from the appliance and immediately call your gas supplier or your fire department.



## Warning

1. Do not store or use gasoline or other flammable liquids or vapors in the vicinity of this or any other appliance
2. An LP cylinder not connected for use shall not be stored in the vicinity of this or any other appliance

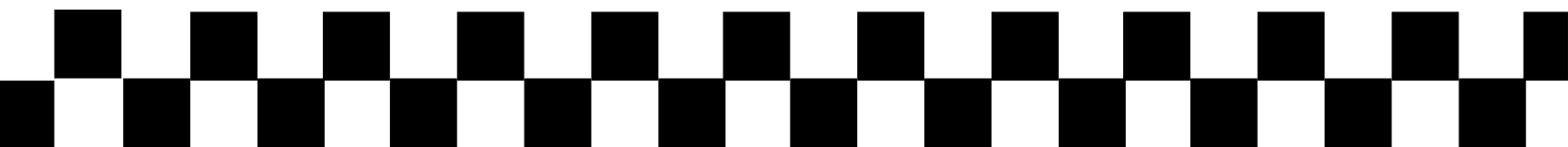


## Warning

**For Outdoor Use Only** (outside any enclosure)

### PROP 65 WARNING:

Chemicals known to the state of California to cause cancer and birth defects or other reproductive harm are created by the combustion of propane, charcoal, or other wood products.



# IMPORTANT SAFETY WARNINGS

**A propane gas cylinder is required for operation. This gas grill is not intended for commercial use.**

**SAVE THESE INSTRUCTIONS FOR FUTURE REFERENCE. IF YOU ARE ASSEMBLING THIS UNIT FOR SOMEONE ELSE, GIVE THIS MANUAL TO HIM OR HER TO SAVE FOR FUTURE REFERENCE.**

**For use outdoors and in well-ventilated areas, only.**

## **WARNING:**

Improper installation, adjustment, alteration, service, or maintenance could cause injury or property damage. Read the installation, operation, and maintenance instructions thoroughly before assembling or servicing this equipment. Failure to follow these instructions could result in fire or explosion that could cause property damage, personal injury, or death.

## **DANGER:**

DO NOT use gas grill for indoor cooking or heating. TOXIC fumes can accumulate and cause asphyxiation. Do not use in or on boats or recreational vehicles.

## **WARNING:**

Accessible parts may be very hot. Keep young children away. Read the instruction literature before using the appliance. The use of unauthorized parts can create unsafe conditions and environment.

**NOTE:** The use and installation of this product must conform to local codes or, in absence of local codes, the National Fuel Gas Code, ANSI Z223.1/NFPA54.

**IMPORTANT NOTICE:** Read all instructions prior to assembly and use. Read and understand all warnings and precautions prior to operating your grill.

**READ ALL SAFETY WARNINGS AND INSTRUCTIONS CAREFULLY BEFORE ASSEMBLING AND OPERATING YOUR GRILL**

## **[California Proposition 65] WARNING:**

This product is equipped to operate on propane gas which contains benzene, a chemical known to the State of California to cause cancer and birth defects, or other reproductive harm. This product and combustion by-products produced when using this product contain chemicals known to the State of California to cause cancer and birth defects, or other reproductive harm.

Chemicals known to the State of California to cause cancer and birth defects or other reproductive harm are created by the combustion of propane, charcoal, or other wood products.



Read the following instructions carefully and be sure your barbecue is properly assembled, installed and maintained. Failure to follow these instructions may result in serious bodily injury and/or property damage. If you have any questions concerning assembly or operation, consult your dealer or LP gas company.

- When used, always place the appliance and gas bottle on flat level ground. Grill can be used with 20lb gas cylinder. Grill will perform better if propane or LPG mixtures are used. Butane can be used, but because of the rate of the appliance the cylinder will tend to freeze and supply gas at reduced pressures, affecting grill performance.
- DO NOT move the appliance during use.
- DO NOT attempt to disconnect any gas fittings while barbecue is in use.
- DO NOT use gas bottle if the bottle and/or valve are damaged, rusty, or dented as this may be hazardous. Contact your supplier to have it checked.
- DO NOT lean over an open grill and be mindful of hands/fingers near the edge of the cooking area.
- Should a fire occur, turn off all gas burners, close the lid, and stand back from grill until fire is out.
- Should flames go out while in operation, turn off all gas valves and leave lid open.
- Return to grill after five minutes and try to relight the burners – following lighting instructions. Keep children and pets away from grill when in use. Some parts of the grill will become very hot.
- When cleaning the valves and burners, be careful not to stretch the valve orifices or burner ports.
- Move gas hoses as far away as possible from hot surfaces and dripping hot grease.
- Gas may still be present in a cylinder that appears to be empty. Adhere to proper transportation/storage of the cylinder at all times.
- If gas is leaking from cylinder, move away from cylinder immediately and call your gas supplier or fire department. DO NOT try to address problem yourself.
- DO NOT use a flame to check for gas leaks.
- DO check for gas leaks and any obstructions to burners before use. This is especially important after a period of storage or non-use.
- The flexible tube should be changed whenever it is damaged or cracked or by expiration date printed on the tubing. Or, change tube every five (5) years.
- Always connect or replace cylinder in a well-ventilated area, and never in the presence of a flame, spark or heat source.
- Grill must be kept away from flammable materials.
- Turn off gas supply at gas container after use.
- Do not alter this grill in any manner.
- Do not touch metal parts of grill until it has completely cooled (about 45 minutes) to avoid burns, unless you are wearing protective gear (BBQ mittens, pot holders, etc.).
- Note that parts sealed by manufacturer or its agent must not be altered.

- When assembling the grill, position the connection flexible tube so that it is protected against twisting.
- Stay away from any source of ignition when changing gas container.
- When assembling the grill, do not obstruct ventilation openings of grill's container compartment. We reserve the right to make minor technical adjustments to the device.
- When cooking with oil/grease, do not allow the oil/grease to exceed 350°F (177°C). Do not store or use extra cooking oil in the vicinity of this or any other appliance.
- Never fill the cylinder beyond 80% full. Not following the above information exactly may result in a fire causing death or serious injury.

## **CAUTION**

- This grill is for use with propane gas only (propane gas cylinder not included).
- Never attempt to attach this grill to the self-contained propane system of a camper trailer, motor home or house.
- Do not use gasoline, kerosene or alcohol for lighting. The LP gas supply cylinder must be constructed and marked in accordance with the specifications for propane gas cylinders of the U.S. Department of Transportation (DOT) CFR 49.
- This grill is not intended for use on recreation vehicles and/or boats.
- Do not use grill unless it is completely assembled and all parts are securely fastened and tightened.
- Keep all combustible items and surfaces at least 36 inches (91.4cm) away from grill at all times.
- DO NOT use this grill or any gas product near unprotected combustible constructions.
- Do not use in an explosive atmosphere. Keep grill area clear and free from combustible materials, gasoline and other flammable vapors and liquids.
- Never keep a filled container in a hot car or car trunk. Heat will cause gas pressure to increase, which may open relief valve and allow gas to escape.
- Keep grill's valve compartment, burners and circulating air passages clean. Inspect grill before each use.

## **WARNING**

- This grill is for outside use only, and should not be used in a building, garage, or any other enclosed area.
- The use of alcohol, prescription or non-prescription drugs may impair the operator's ability to properly assemble or safely operate the grill.
- Always open grill lid slowly and carefully as heat and steam trapped within the grill can burn you severely.
- Always place grill on a hard, level surface far away from combustibles. An asphalt or blacktop surface may not be acceptable for this purpose.



- Do not leave a lit grill unattended. Keep children and pets away from grill at all times.
- Do not place grill on any type of tabletop surface.
- Do not use grill in high winds.
- Disconnect the propane tank (LP tank) by first turning off valve on top of propane tank, turn off burner valves, then disconnect regulator from valve on propane tank by turning plastic connector counter clockwise. Unscrew wing-bolt in bottom shelf to release the tank for removal.

## **DANGER**

- Liquid propane (LP) gas is flammable and hazardous if handled improperly. Know its characteristics before using any propane product.
- Propane Characteristics: flammable, explosive under pressure, heavier than air and settles in pools and low areas.
- In its natural state, propane has no odor. For your safety, an odorant has been added.
- Contact with propane can cause freeze burns to skin.
- Never use a propane cylinder with a damaged body, valve, collar or footing.
- Dented or rusted propane cylinders may be hazardous and should be checked by your propane gas supplier.
- Use caution when assembling and operating your grill to avoid scrapes or cuts from sharp edges.
- Do not use gasoline, kerosene, or alcohol to light charcoal. Use of any of these or similar products could cause an explosion possibly leading to severe bodily injury.
- Use caution when moving grill to prevent strains.
- When adding charcoal and/or wood, use extreme caution.
- Never move grill when it is in use or when it contains hot coals or ashes.
- **WARNING:** To avoid injuries gloves or other protective articles should be used when touching the ash pan hangers.
- Do not exceed a temperature of 400°F.
- Do not allow charcoal and/ or wood to rest on the walls of grill. Doing so will greatly reduce the life of the grill.
- **CAUTION:** Exposed metal dampers on air vents and and/or metal handles are hot during usage. Again, always wear oven mitts when adjusting air flow to protect hands from burns.
- When opening lid, make sure it is pushed all the way back so it rests against the lid support brackets. Use extreme caution as hood could fall back to a closed position and cause bodily injury.
- Close lid and all dampers to help suffocate flame.
- Always hold an open lid from the handle to prevent it from closing unexpectedly.
- Never leave coals and ashes unattended. Before grill can be left unattended, coals and ashes must be removed. Use caution to protect yourself and property.

- Ashes left in bottom of charcoal grill hold moisture and may cause rust if not cleaned out.
- Carefully place remaining coals and ashes in a noncombustible metal container and saturate completely with water. Allow coals and water to remain in metal container 24 hours prior to disposing.
- Make sure to empty grease tray after every use once completely cooled.
- Heat gauges maintain moisture, which will result in steam during cooking.
- Smoke will escape from other areas than smokestacks. This will not affect cooking.
- It is recommended that charcoal grill be heated up and fuel kept red hot for at least 30 minutes prior to first time cooking. Do not cook before briquettes have turned gray with ash.
- **WARNING!** Do not use spirit or petrol when lighting or relighting.
- To protect against bacteria that could cause illness, keep all meats refrigerated and thaw in refrigerator or microwave. Keep raw meats separate from other foods, and wash everything that comes in contact with raw meat.
- Cook meat thoroughly, and refrigerate leftovers immediately.
- Use a calibrated food thermometer and the USDA guidelines to ensure that meat, poultry, seafood, and other cooked foods reach a safe minimum internal temperature.
- Non-rechargeable batteries are not to be recharged
- Do not mix different types of batteries such as alkaline, carbon-zinc, or rechargeable batteries.
- Do not mix old and new batteries
- Exhausted batteries are to be removed from the product
- Batteries included.
- **DO NOT DISPOSE OF BATTERIES IN FIRE. BATTERIES MAY EXPLODE OR LEAK**



**\*\*\* STOP! CALL  FIRST! \*\*\***

## Do NOT Return Product to Store.

This grill has been made according to the highest of quality standards. If you have any questions not addressed in this manual or if you need parts please call our Customer Service Department at [www.chargriller.com/pages/customer-support](http://www.chargriller.com/pages/customer-support) and have your serial number handy.

## **REGISTER YOUR GRILL:**

To take full advantage of the Char-Griller warranty be sure to register your grill by visiting [www.chargriller.com/pages/customer-support](http://www.chargriller.com/pages/customer-support)

Registration provides important protections:

1. In the extremely unlikely event of a product recall Char-Griller can easily contact you and rectify the issue.
2. If a warranted part is broken or missing we can send you the needed parts promptly.

*NOTE:* You will need your model #, serial number, and a copy of the original sales receipt when registering.

### **Document Your Grill Model and Serial Numbers HERE:**

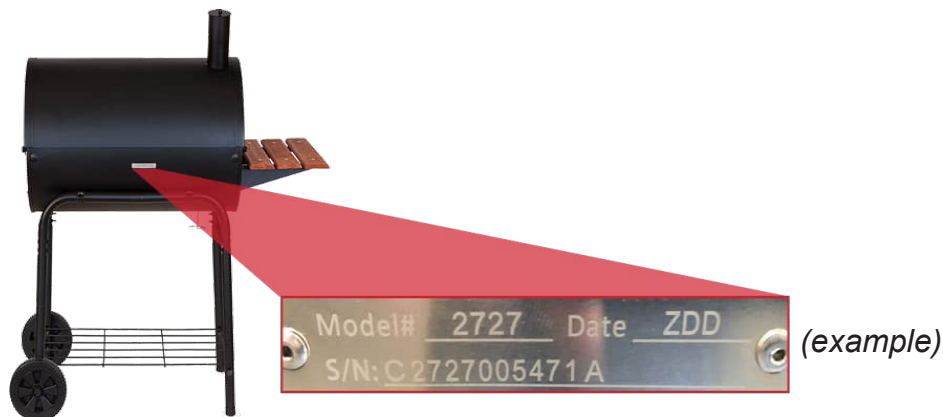
(Model and Serial number are located on the back of the grill body or on the leg.)

---

**(MODEL #)**

---

**(SERIAL #)**





# WARRANTY INFORMATION

A COPY OF THE DATED PROOF OF PURCHASE (RECEIPT) IS REQUIRED WHEN REGISTERING OR SUBMITTING A WARRANTY\* CLAIM. PLEASE RETAIN A COPY OF THE RECEIPT FOR YOUR RECORDS.

Char-Griller will replace any defective part of its grillers/smokers, under warranty, as outlined below.

PLEASE READ THIS INFORMATION IN DETAIL AND IF YOU HAVE ANY QUESTIONS CONTACT CUSTOMER SERVICE AT [www.chargriller.com/pages/customer-support](http://www.chargriller.com/pages/customer-support)

<b>Charcoal / Pellet / Kamado Grills</b>	
Grill - Hood AND Bottom (excludes removable Ash Pan)	5 years from date of purchase for rust through / burn through
Ash Pan AND Defective Parts	1 year from date of purchase
<b>Gas Grills</b>	
Grill Hood (TOP half) AND Main Burner Tubes (excludes Side Burner)	5 years from date of purchase for rust through / burn through
Grill Body (BOTTOM half) AND Side Burner AND Defective Parts	1 year from date of purchase
<b>Dual Fuel Grills (Gas &amp; Charcoal)</b>	
Charcoal Grill - Hood AND Bottom AND Gas Grill Hood (TOP half) AND Main Burner Tubes (excludes Ash Pan and Side Burner)	5 years from date of purchase for rust through / burn through
Ash Pan AND Defective Parts AND Gas Grill Body (BOTTOM half) AND Side Burner	1 year from date of purchase
<b>Parts, Accessories, and Grill Covers</b>	
	1 year from date of purchase (seam tears only for covers)

## SURFACE RUST IS NOT CONSIDERED A MANUFACTURING OR MATERIALS DEFECT

Char-Griller grills are made of steel and if exposed to the elements rust will occur naturally. Please refer to the section entitled, "Usage" to review how to care for your grill properly.

Surface issues such as scratches, dents, corrosion or discoloring by heat, abrasive and chemical clearers, surface rust or the discoloration of steel surfaces are NOT covered under these warranties.

Warranties are for the replacement of defective parts only. Char-Griller is not responsible for damage resulting from accident, alteration, misuse, abuse, hostile environments, improper installation, and installation not in accordance with local codes of service of unit.

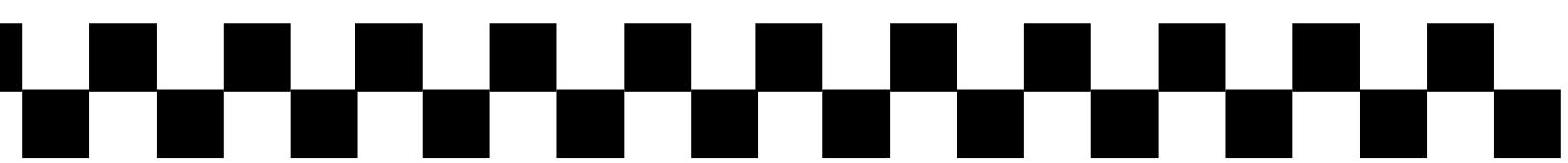
### Excluded Under ALL Warranties

Paint; Surface Rust; Heat Damage; Incorrect Parts ordered by customer, including shipping; Worn Parts; Missing or damaged parts not reported within two (2) months of purchase date; Defective parts not reported within one (1) year of purchase date; Fading grill cover.

\*NOTE: For warranty claims, photos and prepaid return of the item in question may be required. Misuse, abuse or commercial use nullifies all warranties.

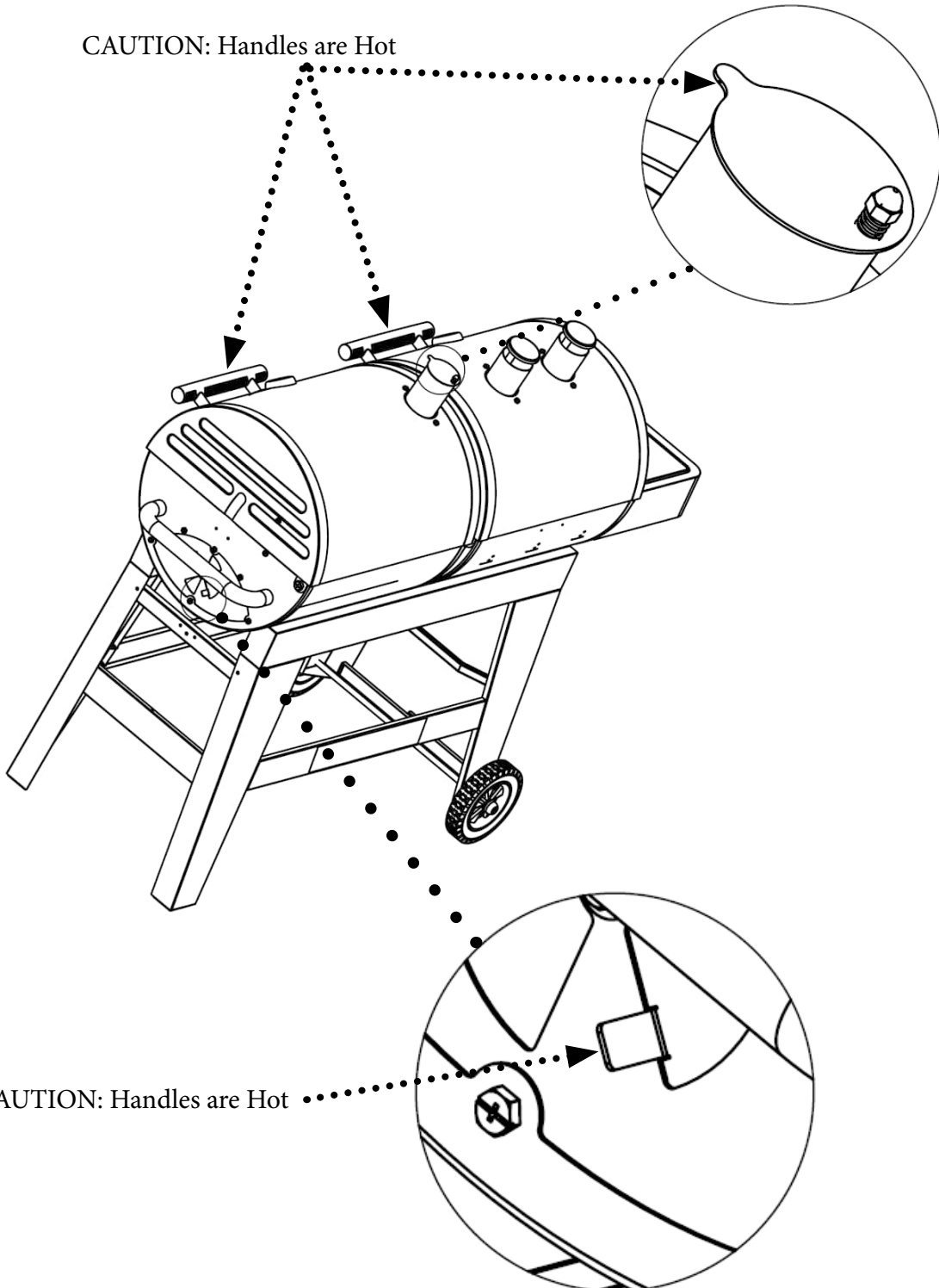


**This Page Intentionally  
Left Blank**

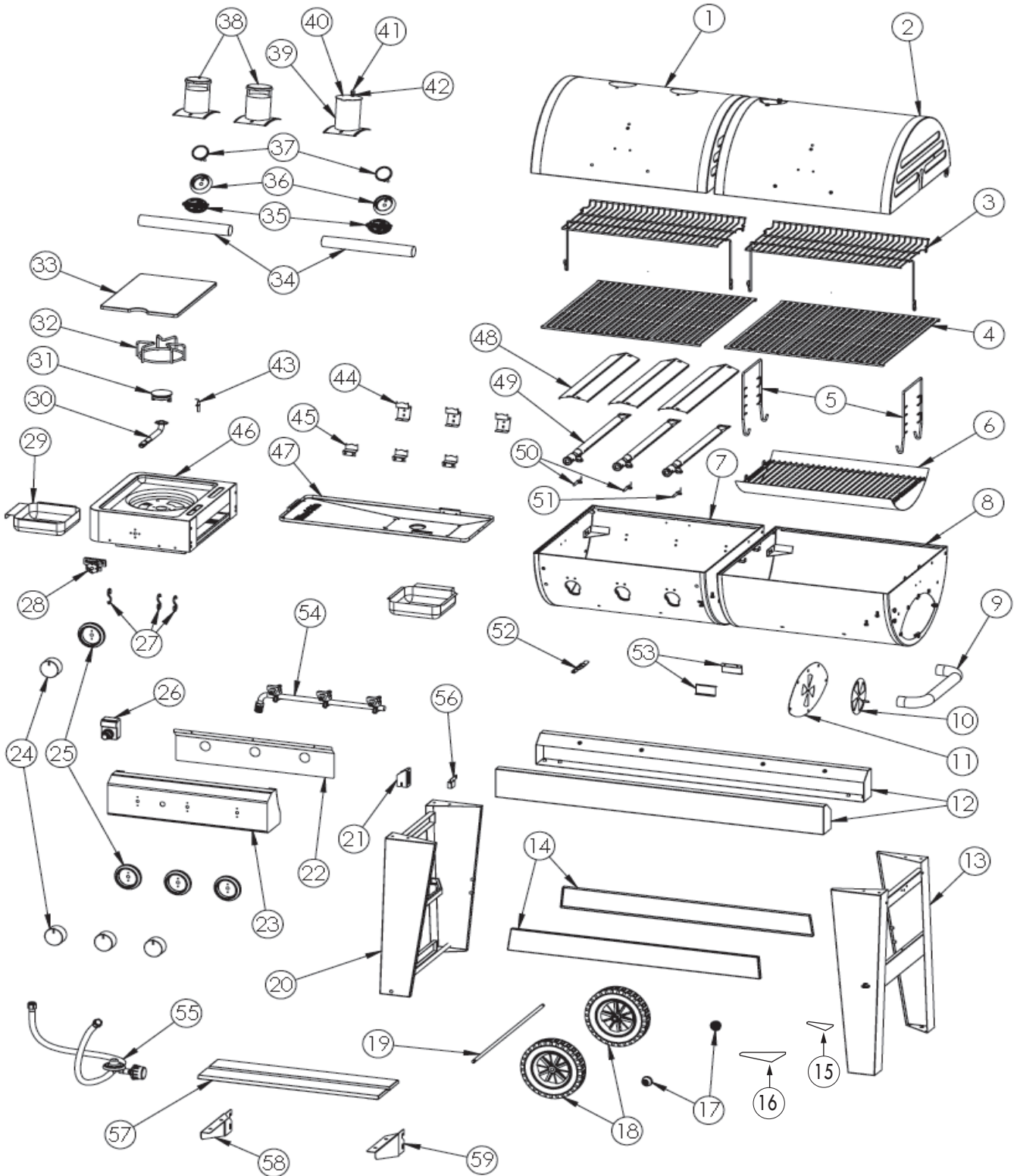


# ASSEMBLY INSTRUCTIONS

CAUTION: Handles are Hot



# PARTS LIST



# PARTS LIST

Item	QTY	Part Name
1	1	GAS HOOD ASSEMBLY
2	1	CHARCOAL HOOD ASSEMBLY
3	2	WARMING RACK
4	6	COOKGRATE - PORCELAIN GRATES
5	2	GRATE HANGER
6	1	ASHPAN
7	1	BOTTOM HALF GAS
8	1	BOTTOM HALF CHARCOAL
9	1	SIDE HANDLE
10	1	DAMPER CIRCLE, BLACK
11	1	SMOKESTACK DAMPER PLATE
12	2	FRONT & BACK CART FRAME ASSEMBLY
13	1	RIGHT LEG WELDED ASSEMBLY
14	2	FRONT & BACK CART BRACE
15	1	BACK LEG SILICONE PAD
16	1	FRONT LEG SILICONE PAD
17	2	HUB CAPS
18	2	8' RUBBER WHEEL
19	1	AXLE ROD
20	1	LEFT LEG WELDED ASSEMBLY
21	1	TANK SECURE BRACKET
22	1	VALVES/ IGNITOR HEAT SHIELD
23	1	CONTROL PANEL
24	4	KNOB
25	4	KNOB BEZEL
26	1	3 SOCKET IGNITOR
27	3	"S" HOOK -
28	1	INTEGRATED VALVE
29	2	GREASE TRAY
30	1	SIDE BURNER PIPE
31	1	CAST IRON BURNER CAP
32	1	POT STAND
33	1	SIDE BURNER LID
34	2	HOOD HANDLE WITH WING-NUTS & LOCK WASHERS

Item	QTY	Part Name
35	2	LOGO PLATE
36	2	BEZEL FOR THERMOMETER
37	2	THERMOMETER
38	2	GAS SMOKESTACK
39	1	CHARCOAL SMOKESTACK
40	1	SMOKESTACK DAMPER (CHARCOAL GRILL)
41	1	ACORN NUT
42	1	SMOKESTACK SPRING
43	1	SIDE BURNER SPARKER TIP
44	3	BURNER TUBE/ FLARE UP SHIELD SUPPORT (BACK)
45	3	BURNER TUBE/ FLARE UP SHIELD SUPPORT (FRONT)
46	1	SIDE BURNER BODY
47	1	LARGE CATCH PAN
48	3	FLAME SHIELD
49	3	BURNER
50	2	BURNER SPARKER TIP W/ SHORT WIRE
51	1	BURNER SPARKER TIP W/ LONG WIRE
52	1	CATCH PAN STOPPER BRACKET
53	2	CATCH PAN SLIDER BRACKET
54	1	MANIFOLD/ VALVES ASSEMBLY
55	1	HOSE/ VALVE/ REGULATOR ASSEMBLY
56	1	TANK SECURE SUPPORT BRACKET
57	2	FRONT SHELF SLATE
58	1	FRONT SHELF LEFT SUPPORT BRACKET
59	1	FRONT SHELF RIGHT SUPPORT BRACKET




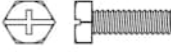





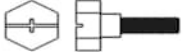

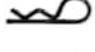
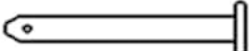






# HARDWARE AND TOOLS NEEDED

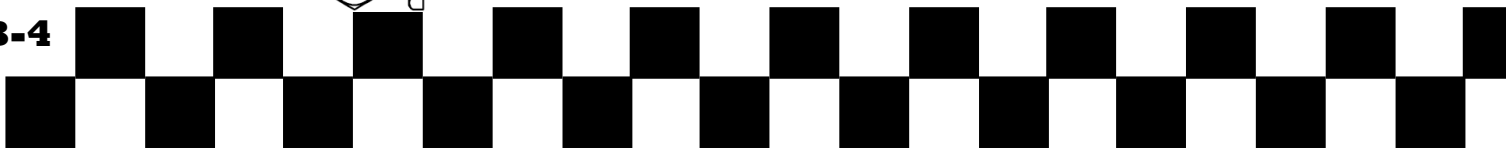
**Assembly:** Requires 2 people. Get another person to help. Tools Needed: Pliers, Phillips Head Screwdriver and a 7/16" Nut Driver.

**NOTE:** Do Not tighten any bolts unless instructed to do so. Tightening too soon may prohibit parts from fitting together. All Hex Nuts should be on the inside of the grill unless stated otherwise. Unpack all contents in a well cleared and padded area.

**Estimated Assembly Time:** 45 minutes

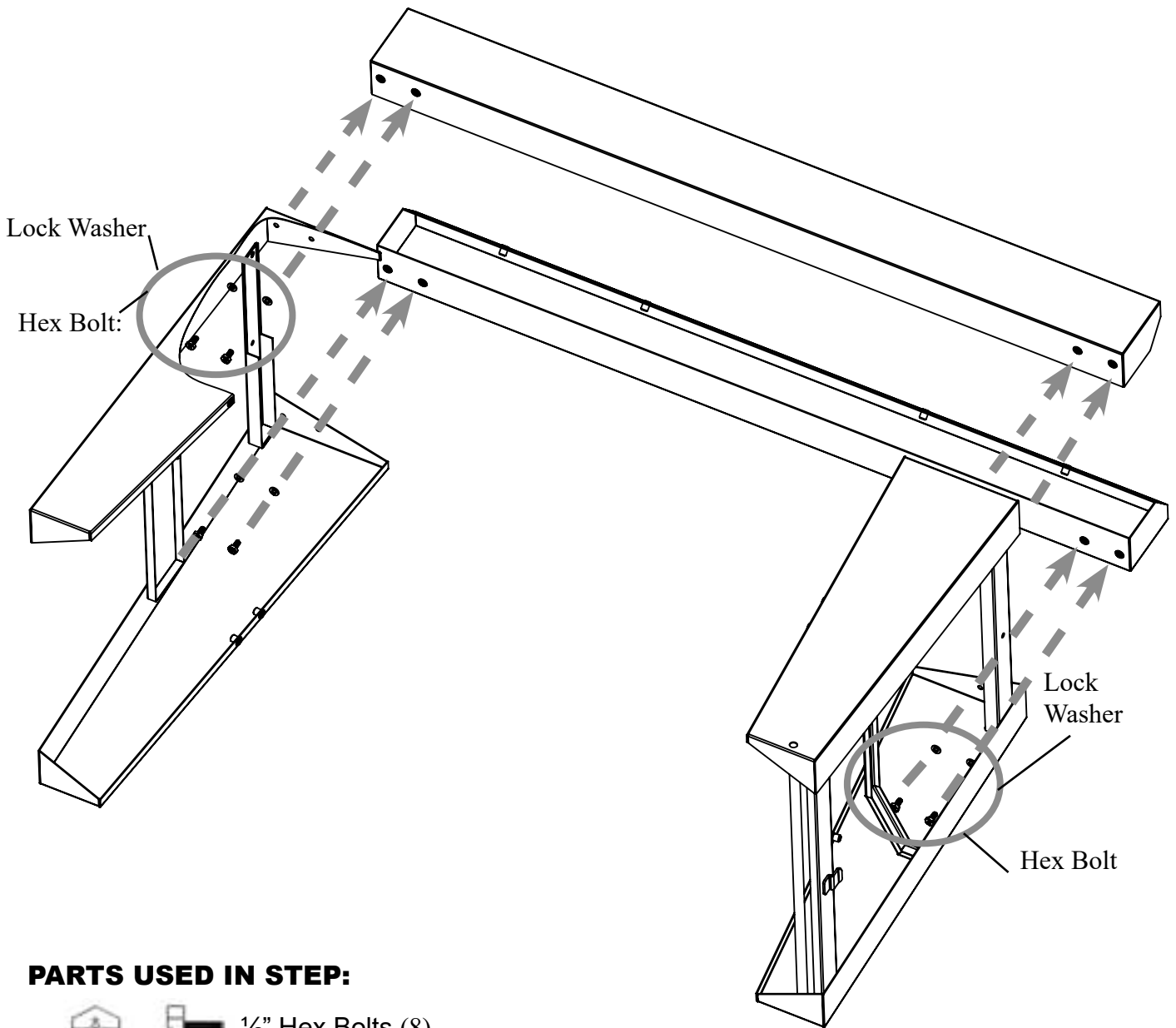
## Hardware Pack: 551052

	1/4-20x 1 1/2" HEX BOLT .....	4 PCS
	1/4-20x 3/4" HEX BOLT .....	5 PCS
	1/4-20x 1/2" HEX BOLT .....	46 PCS
	2/5" FLAT WASHER .....	2 PCS
	1/4" FLAT WASHER .....	10 PCS
	1/4" 20 HEX NUT .....	25 PCS
	1/4" LOCK WASHER .....	27 PCS
	HINGE PIN .....	2 PCS
	LARGE COTTER PIN .....	2 PCS
	SMALL COTTER PIN .....	3 PCS
	CENTER HINGE PIN .....	1 PC
	SCREW .....	3 PCS
	#10-24 X 2/5" SCREW .....	6 PCS
	HUB CAP .....	2 PCS
	CARRIAGE BOLT .....	1 PCS
	WING NUT .....	1 PCS
	SHOULDER BOLT .....	4 PCS







**Step 1**

Attach the LEFT LEG WELDED ASSEMBLY and RIGHT LEG WELDED ASSEMBLY to FRONT & BACK CART BRACE ASSEMBLY using eight (8) 1/4-20 x 1/2" HEX BOLTS, eight (8) 1/4" LOCK WASHERS.



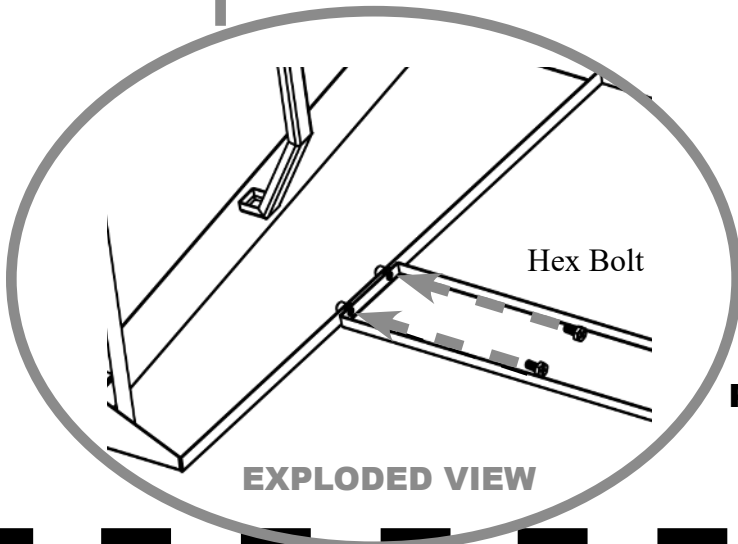
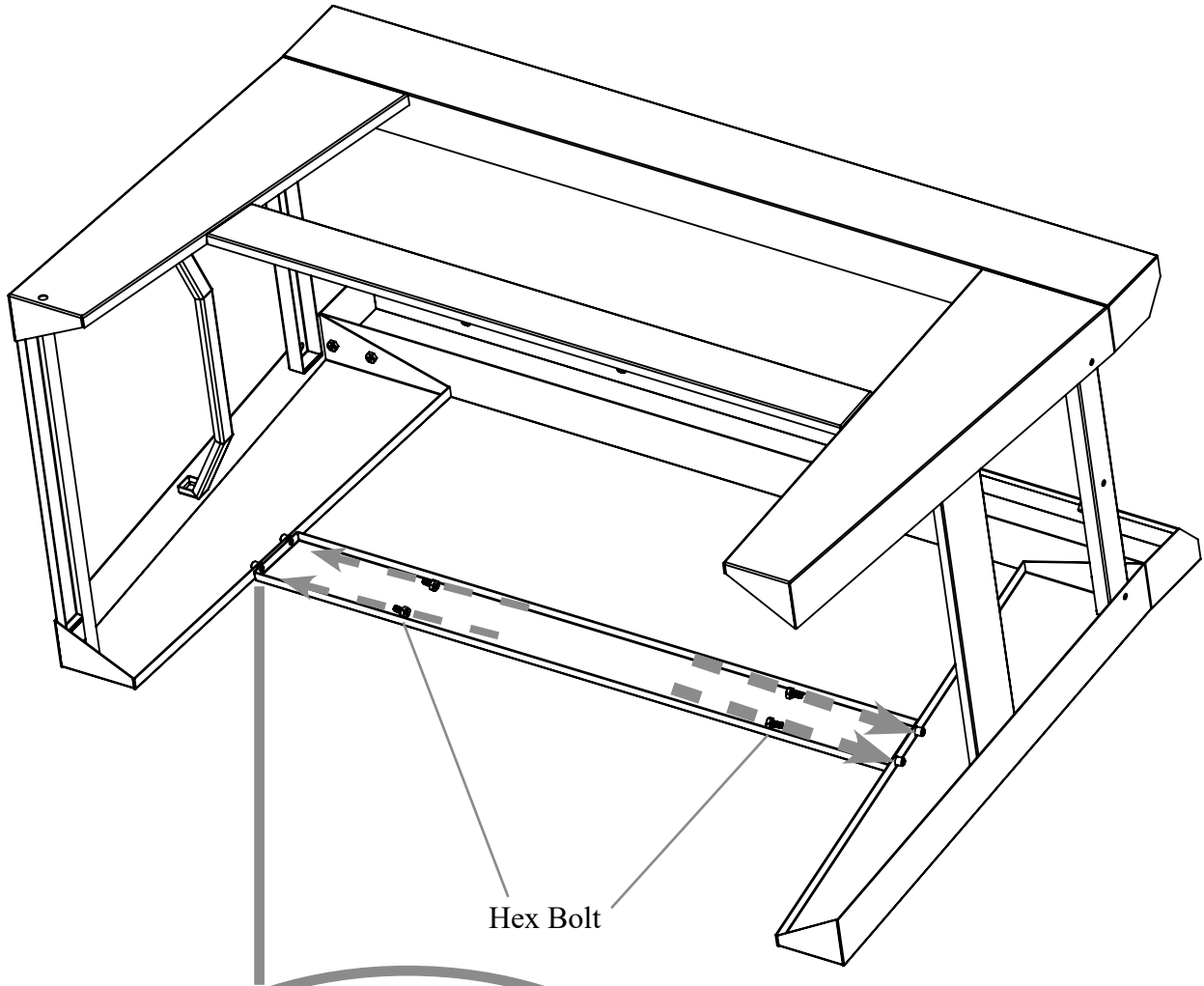
**PARTS USED IN STEP:**

-   1/2" Hex Bolts (8)
-   Lock Washer (8)

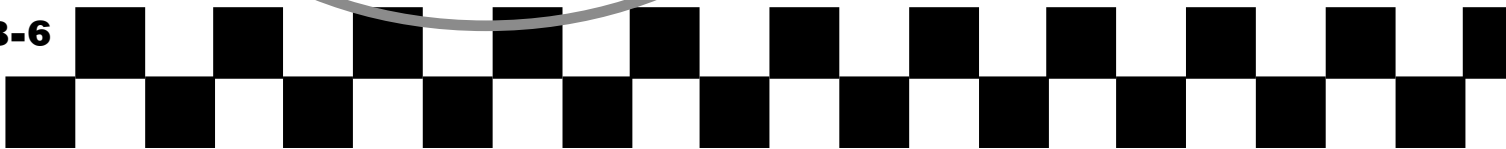
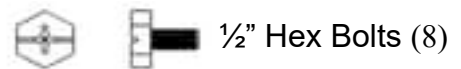


**Step 2**

Attach FRONT & BACK CART BRACE to LEFT LEG WELDED ASSEMBLY and RIGHT LEG WELDED ASSEMBLY using four (8) 1/4-20 x 1/2" HEX BOLTS.



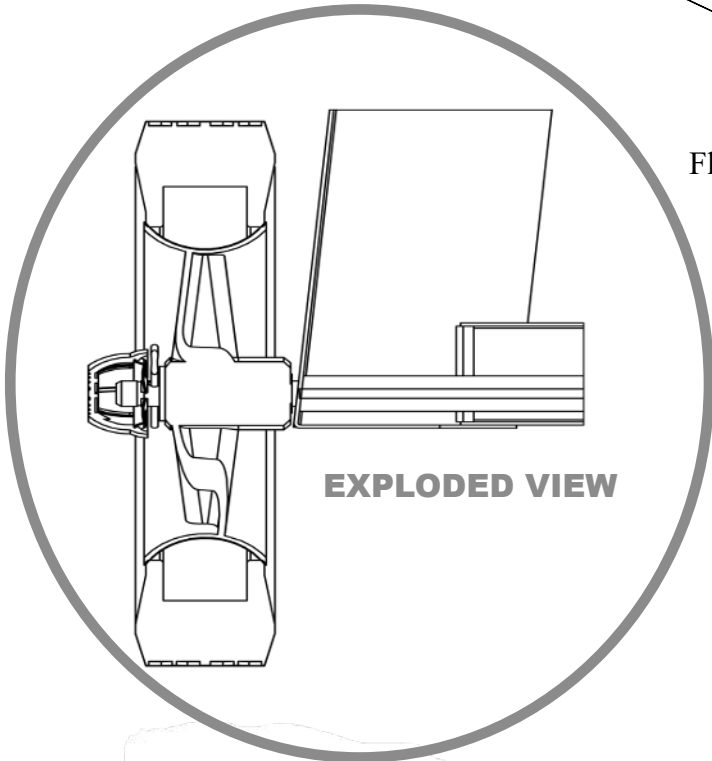
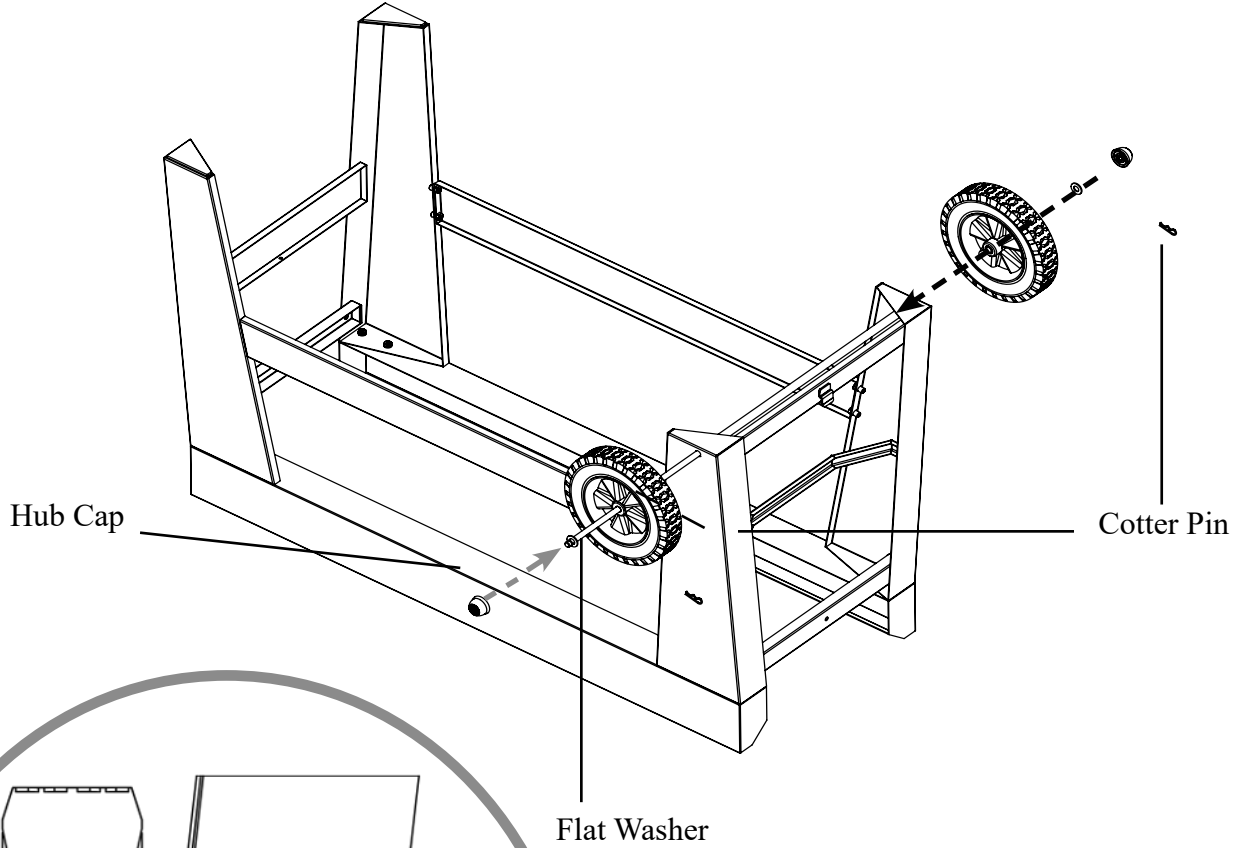
**PARTS USED IN STEP:**










**Step 3**

Install one (1) FLAT WASHER, one (1) COTTER PIN, and one (1) HUB CAP onto AXLE, then slide AXLE through WHEELS and LEFT LEG WELDED ASSEMBLY, as shown below. Finish by attaching 2nd WASHER, COTTER PIN, and HUB CAP.



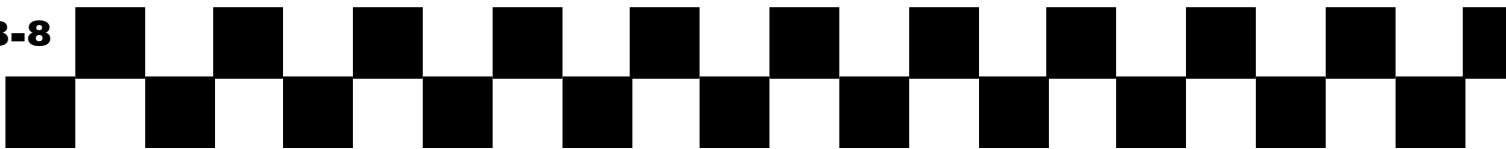
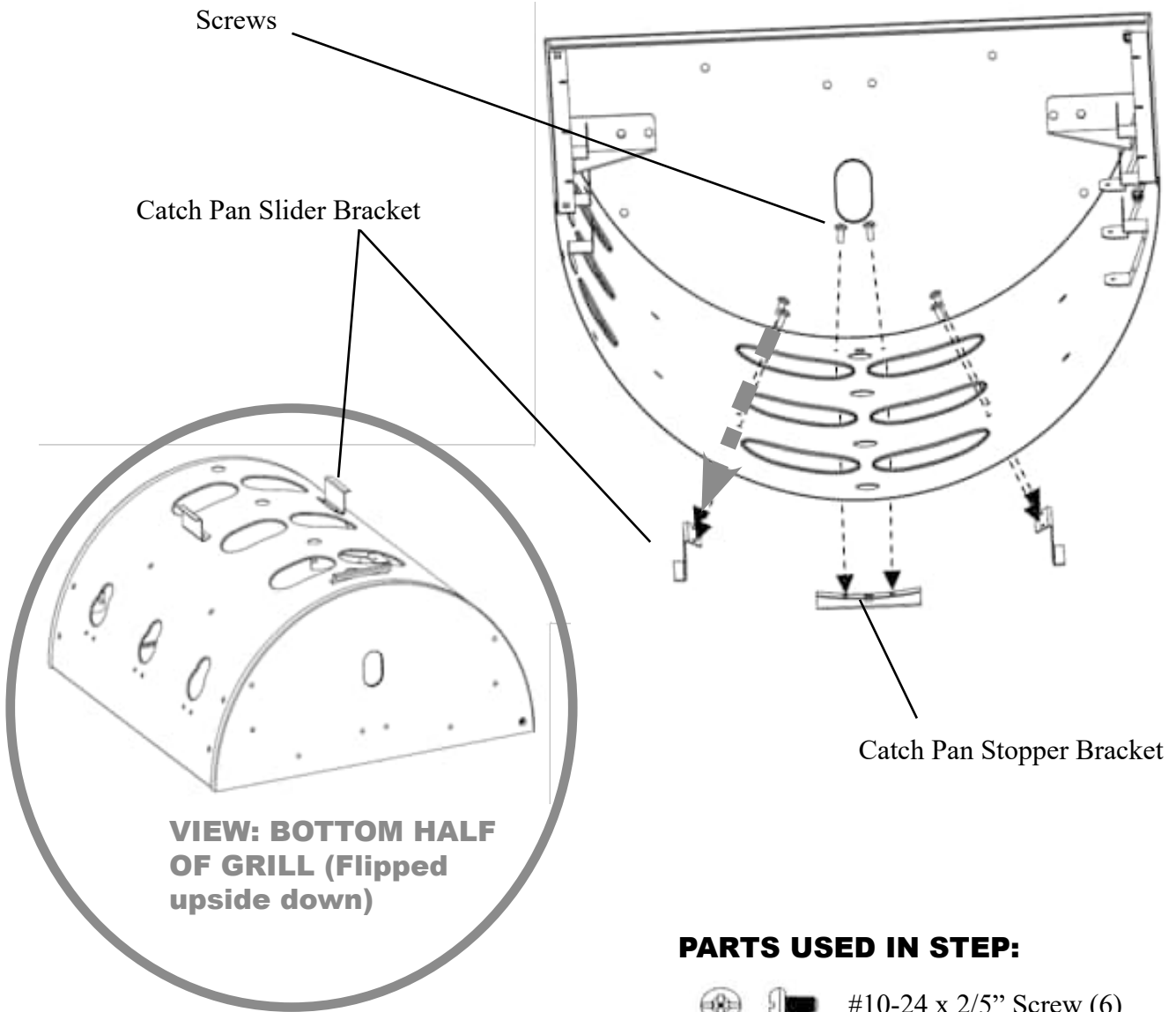
**PARTS USED IN STEP:**

-   Hub Cap (2)
-   Flat Washer 2/5-inch (2)
-  Large Hair Cotter Pin (2)

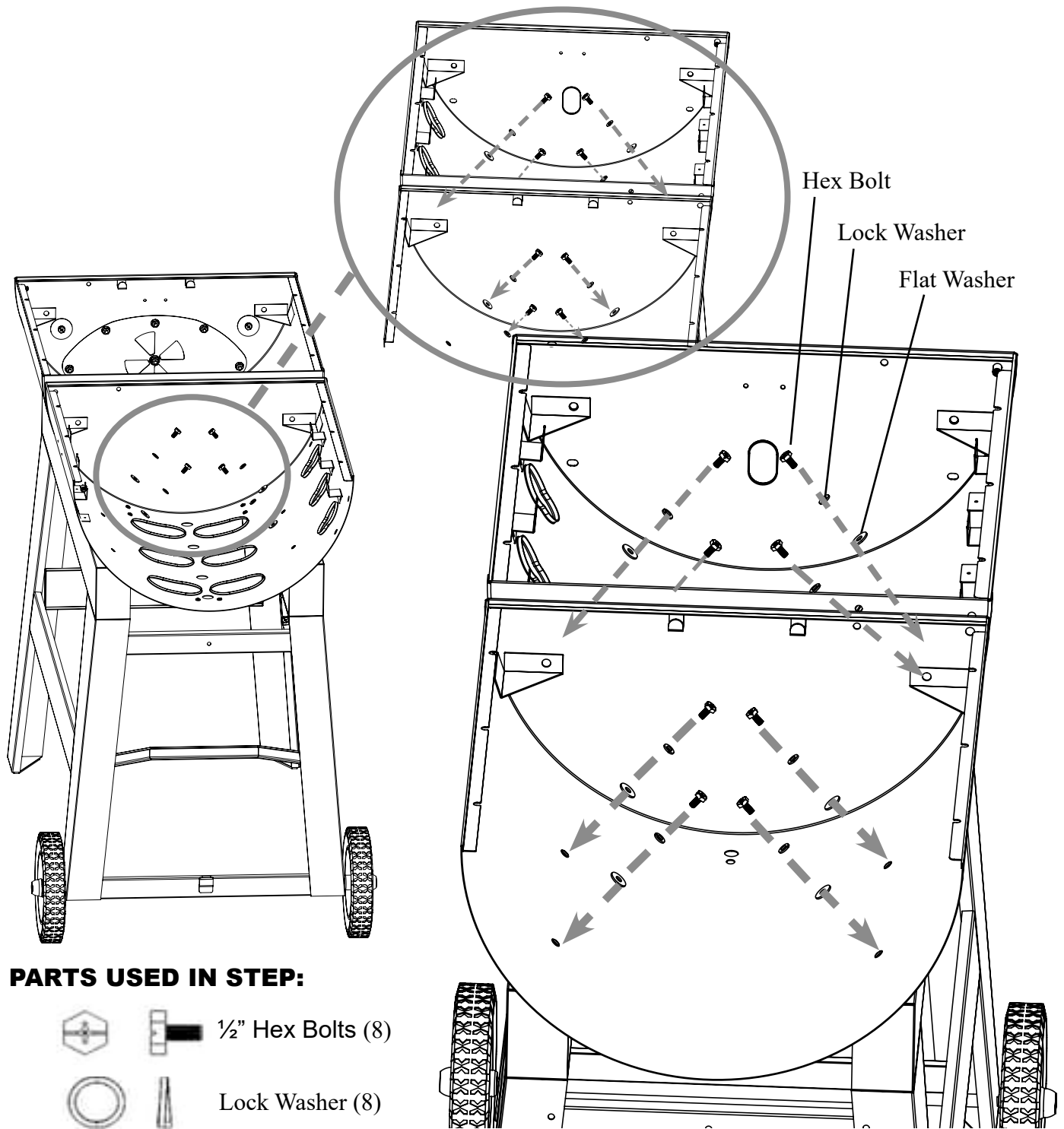


**Step 4**







Attach CATCH PAN SLIDER BRACKETS and CATCH PAN STOPPER BRACKET to GAS GRILL BODY BOTTOM HALF using six (6) #10-24 x 2/5" SCREWS.



**Step 5:** Attach GRILL BODIES onto CART using eight (8) 1/4-20 x 1/2" HEX BOLTS, eight (8) 1/4" LOCK WASHERS, and eight (8) 1/4" FLAT WASHERS.



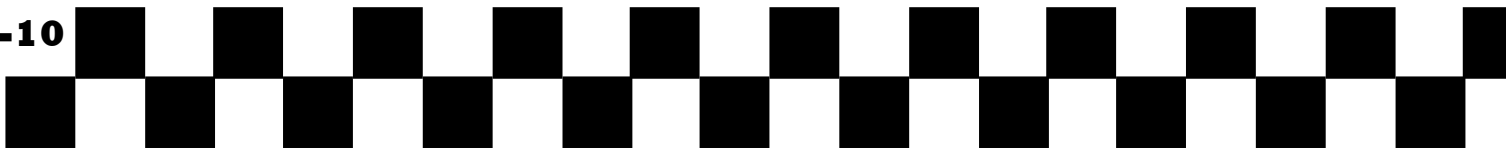
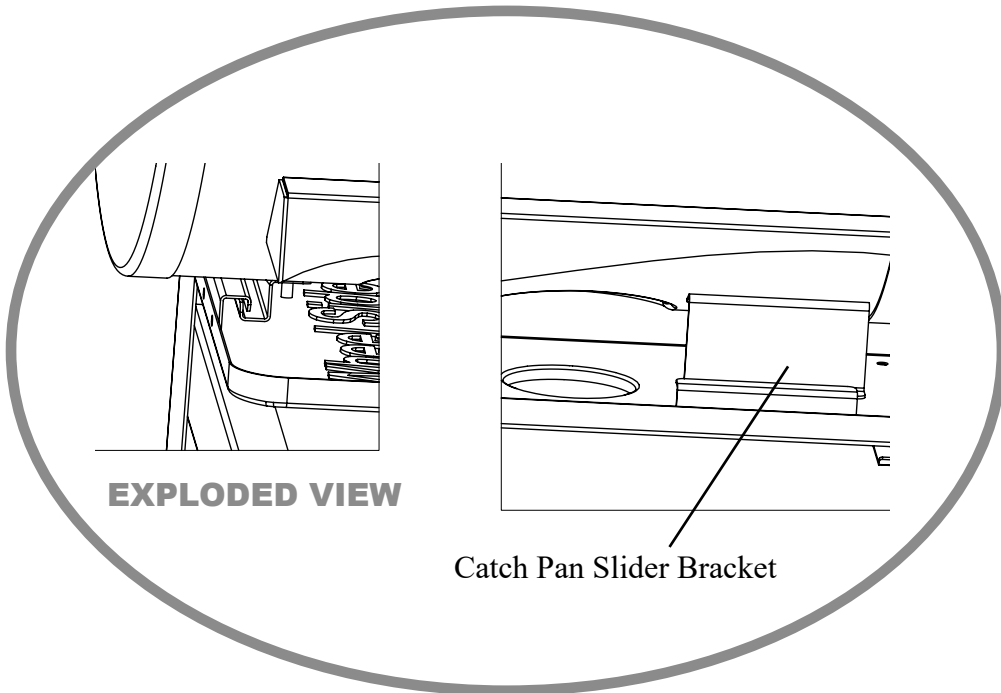
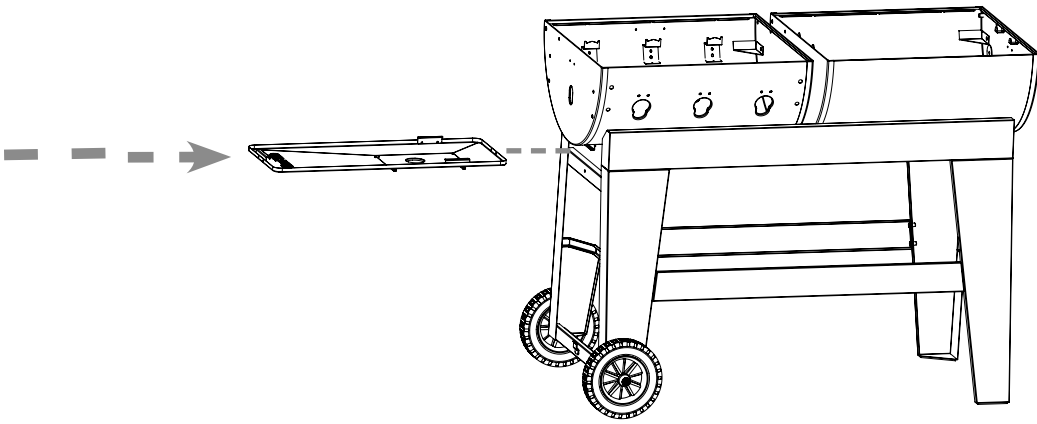
**PARTS USED IN STEP:**

-   1/2" Hex Bolts (8)
-   Lock Washer (8)
-   1/4" Flat Washer (8)



**Step 6**

Insert REMOVABLE CATCH PAN under GRILL BODY through CATCH PAN SLIDER BRACKETS, as shown below.



### Step 7

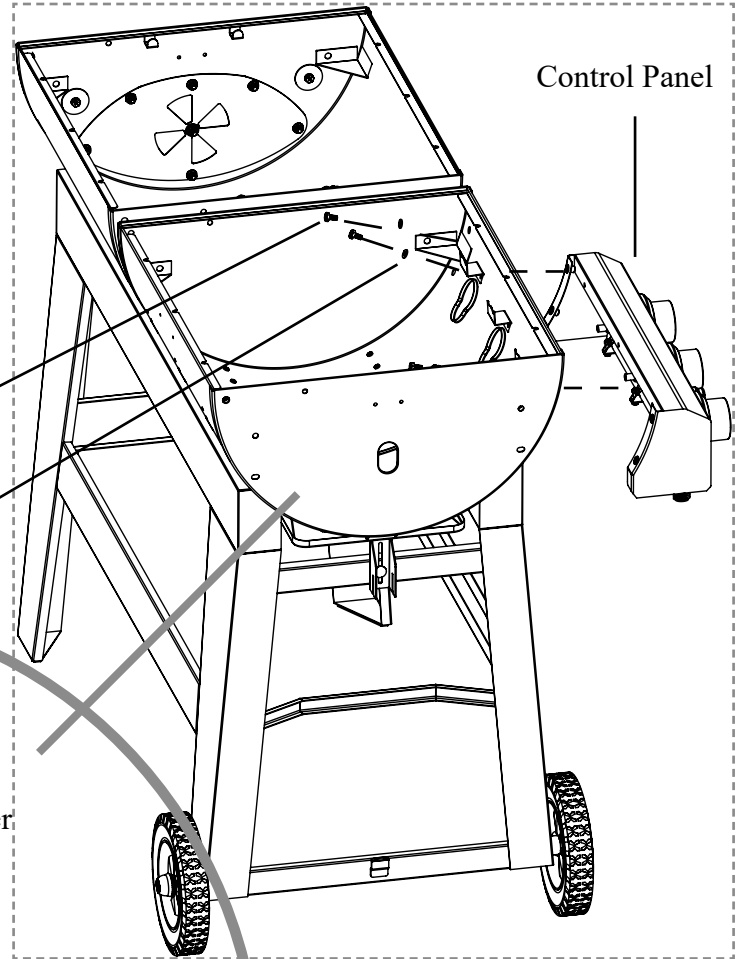
Attach CONTROL PANEL to front of GAS GRILL BODY, and SIDE BURNER to side of GAS GRILL BODY, using eight (8) 1/4-20 x 1/2" HEX BOLTS and eight (8) 1/4" LOCK WASHERS.

#### NOTE:

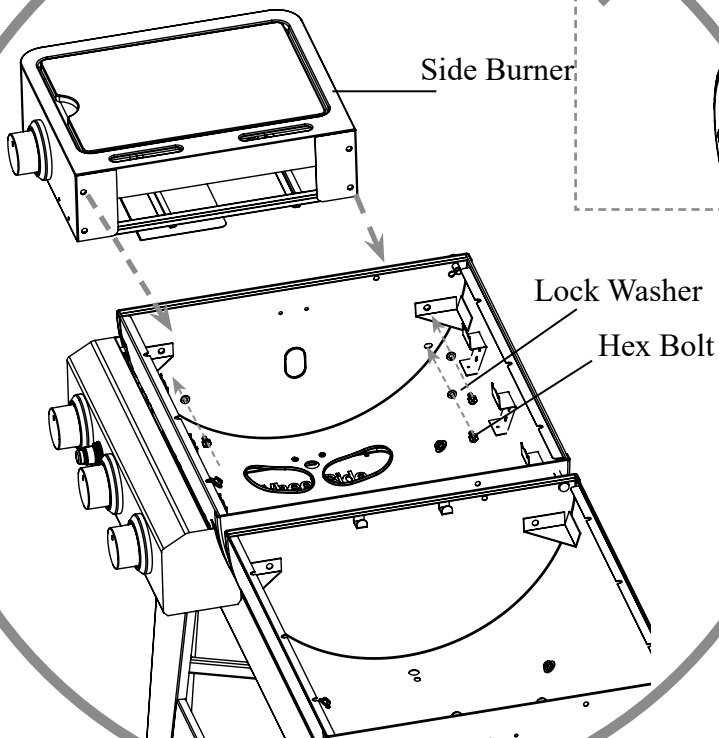
The **head** of the HEX BOLTS should be facing **inside** the grill after the CONTROL PANEL and SIDE BURNER are successfully attached.

Screw four (4) HEX BOLTS and four (4) LOCK WASHERS into the SIDE BURNER SIDE.

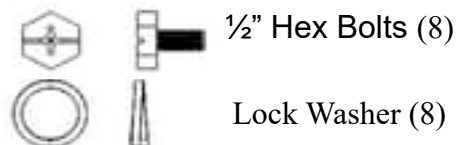
Screw four (4) HEX BOLTS and four (4) LOCK WASHERS into the CONTROL PANEL.



#### REVERSED VIEW



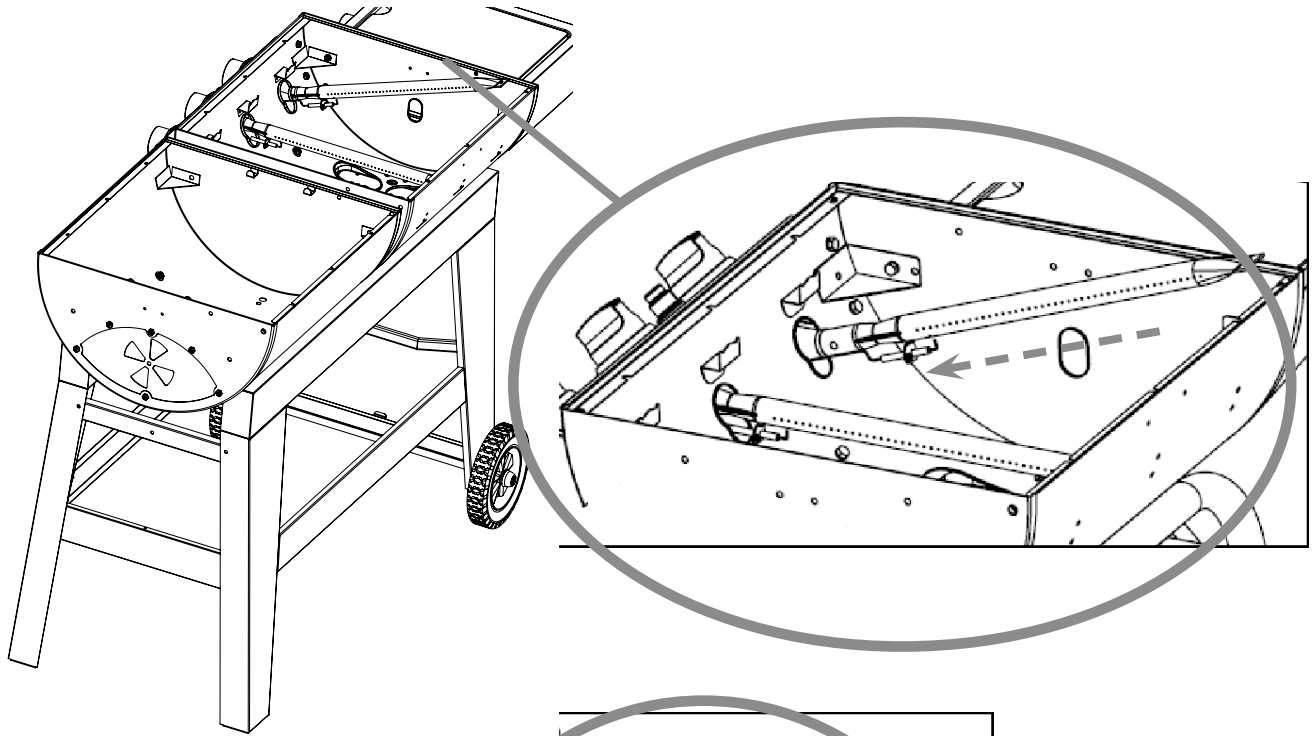
#### PARTS USED IN STEP:



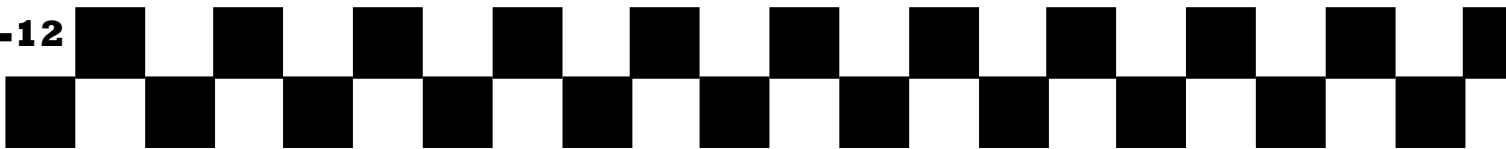
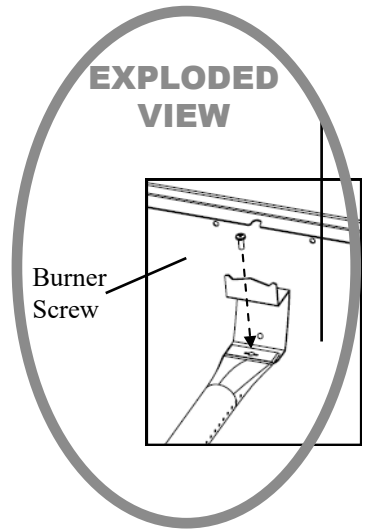
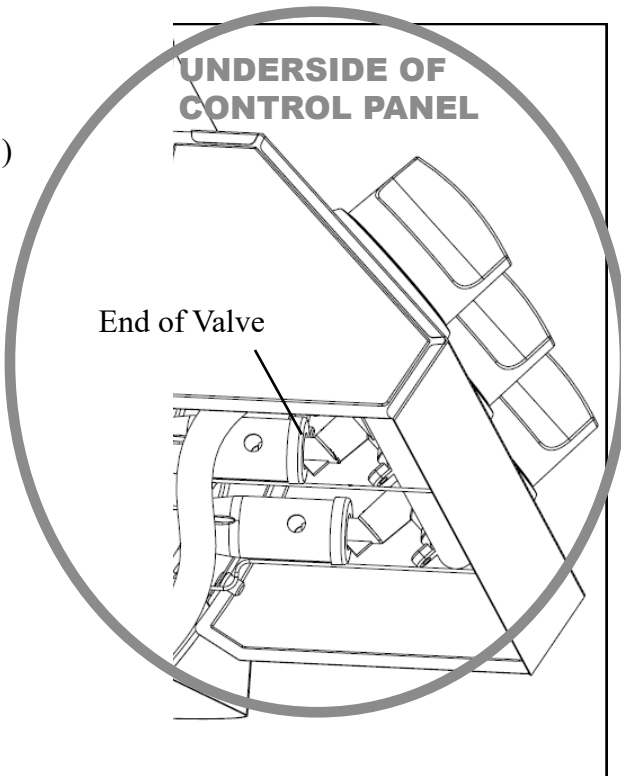


### Step 8

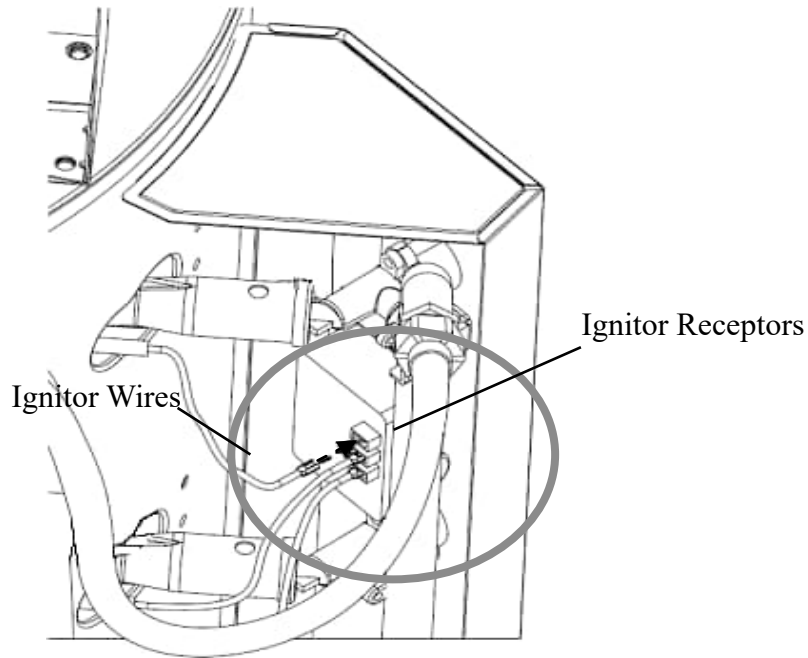
Install BURNERS in GAS GRILL BODY, by sliding the burner over the end of the valve and secure using three (3) BURNER SCREWS, as shown below. The burner with the longer wire goes on the right side of the GRILL BODY.



#### PARTS USED IN STEP:

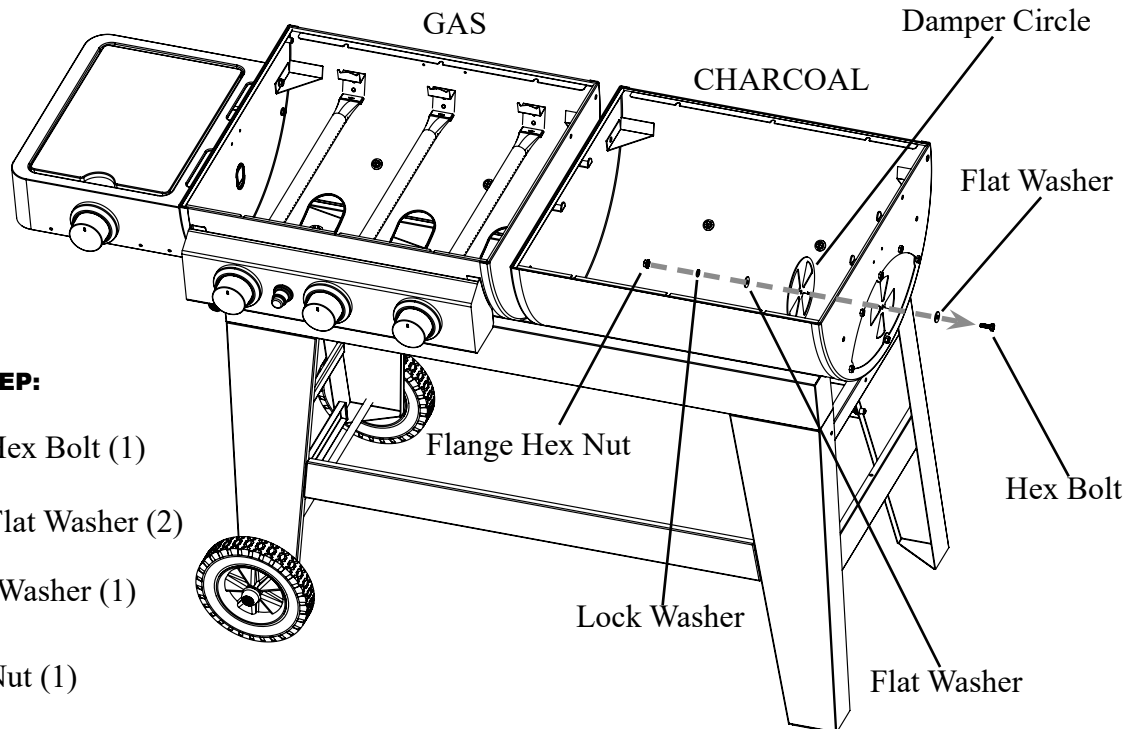


**Step 9:** Connect IGNITOR WIRES to IGNITOR RECEPTORS.







**Step 10**

Attach DAMPER CIRCLE BODY to the inside of CHARCOAL GRILL BODY using one (1) 1/4-20 x 3/4" HEX BOLT, two (2) 1/4" FLAT WASHERS, one (1) 1/4" LOCK WASHER, and one (1) 1/4-20 FLANGE HEX NUT, as shown below.




**PARTS USED IN STEP:**

  3/4" Hex Bolt (1)

  1/4" Flat Washer (2)

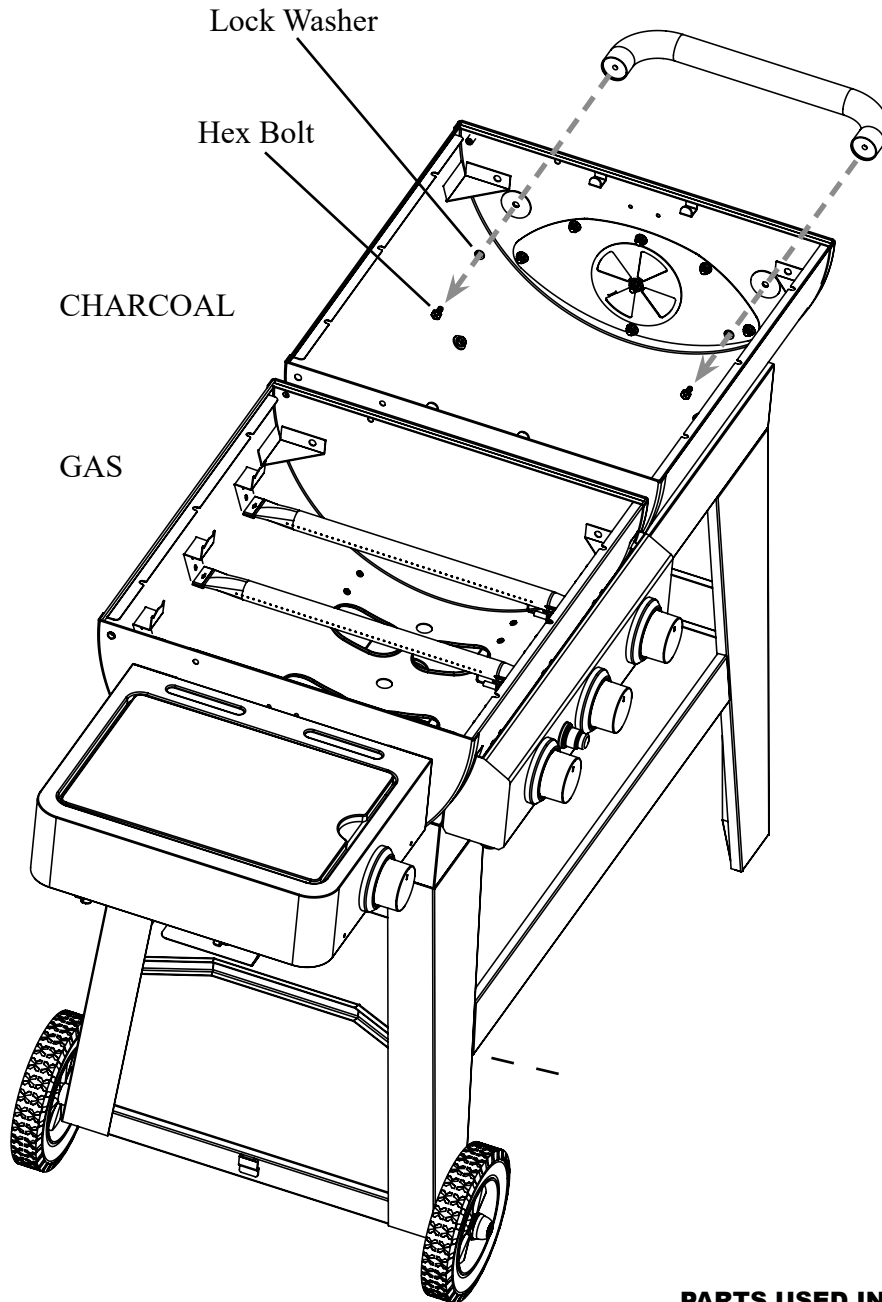
  Lock Washer (1)

  Hex Nut (1)







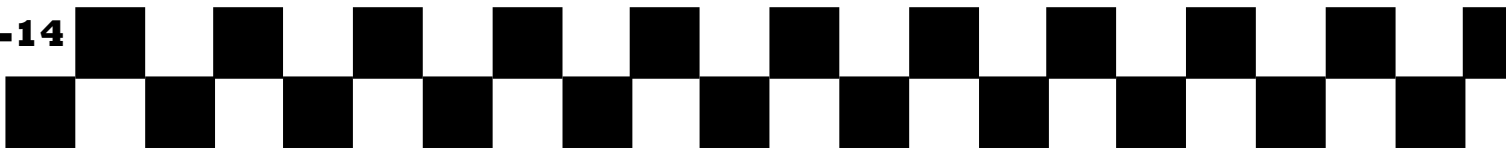
**Step 11**

Attach SIDE HANDLE to side of CHARCOAL GRILL BODY using two (2) 1/4-20 x 1/2" HEX BOLTS and two (2) 1/4" LOCK WASHERS



**PARTS USED IN STEP:**

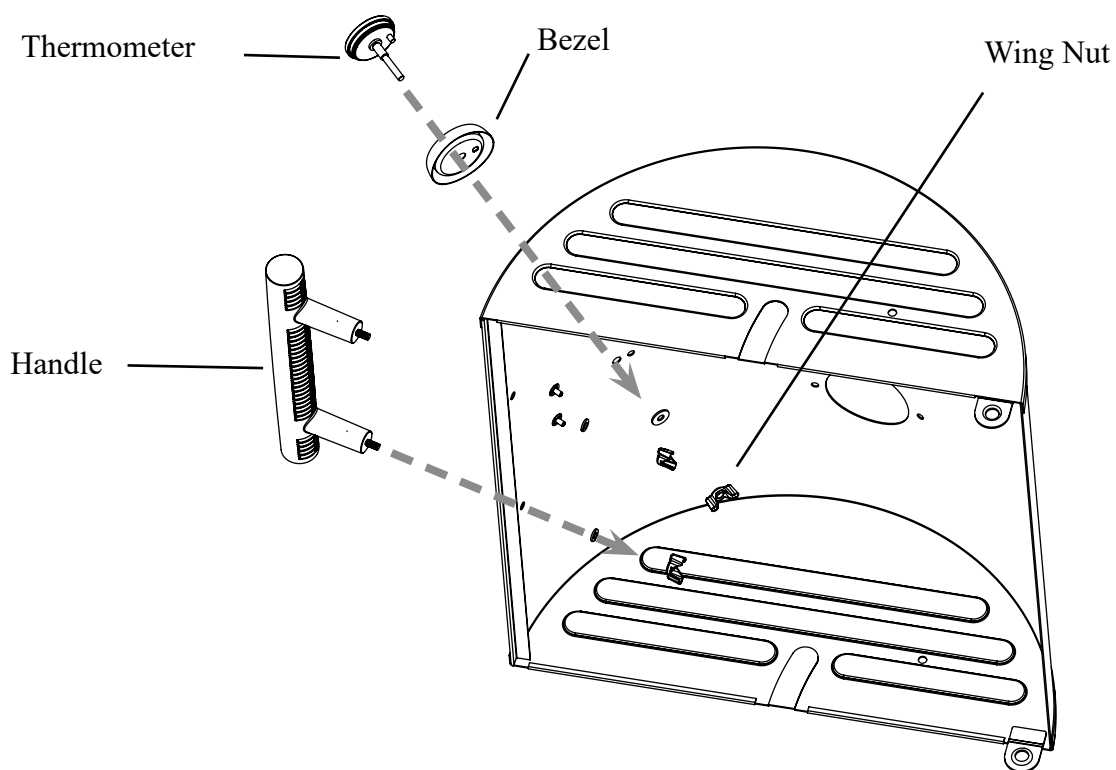
-   1/2" Hex Bolt (2)
-   Lock Washer (2)





## Step 12



Attach HOOD HANDLES to GAS GRILL HOOD and CHARCOAL GRILL HOOD with two (2) LOCK WASHERS and two (2) WING NUTS per handle. Then, attach THERMOMETER and BEZELS to GRILL HOODS. THERMOMETER inserts through BEZEL and then GRILL HOOD. Secure with a WING NUT.

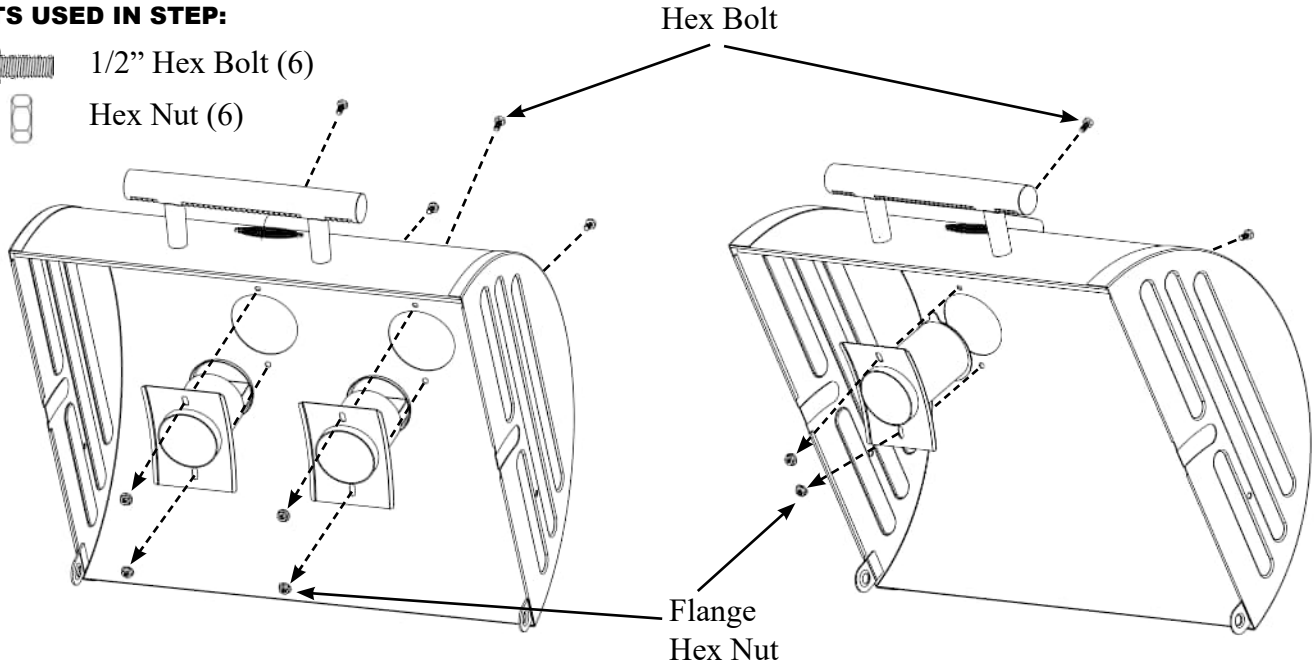




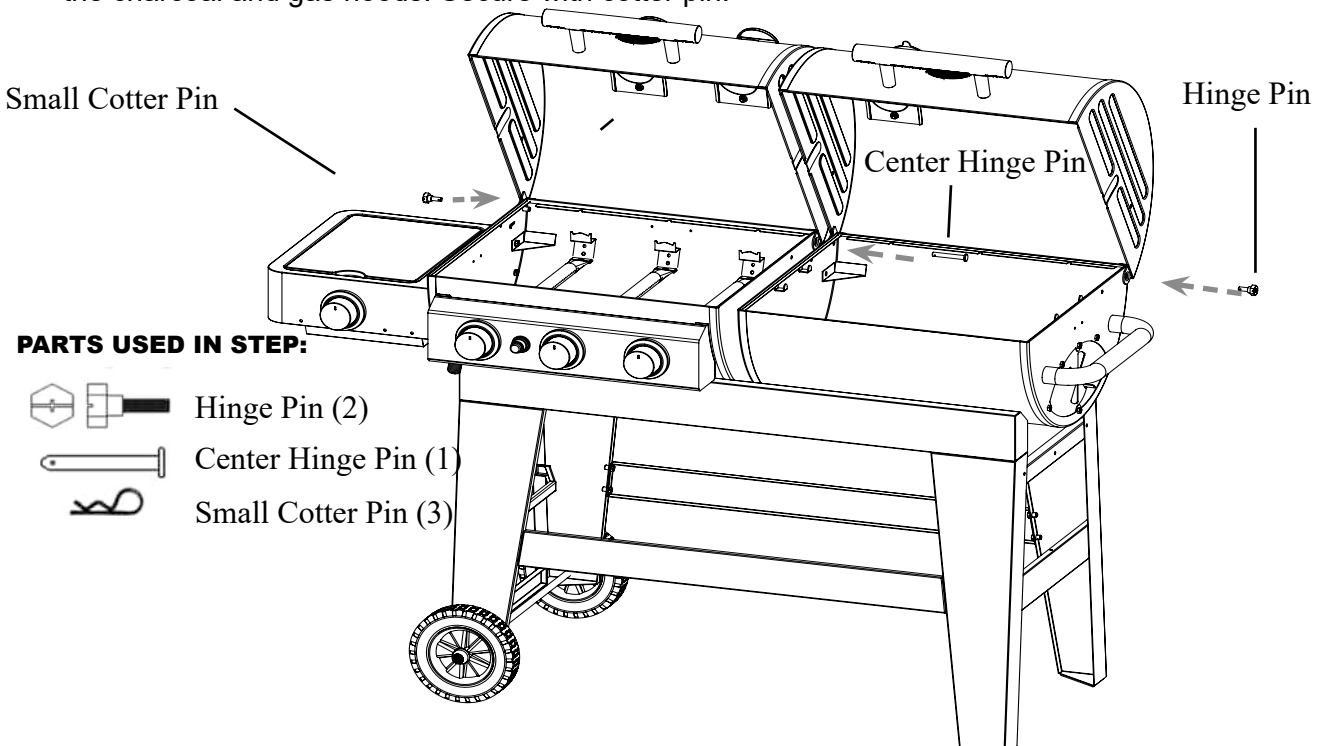
**Step 13:** Attach two (2) GAS SMOKESTACKS to GAS GRILL HOOD, and one (1) CHARCOAL SMOKESTACK to CHARCOAL GRILL HOOD using six (6) 1/4-20 x 1/2" HEX BOLTS and six (6) 1/4-20 FLANGE HEX NUTS.

**PARTS USED IN STEP:**


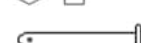
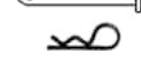
-  1/2" Hex Bolt (6)
-  Hex Nut (6)



**Step 14:** Attach GRILL HOODS to GRILL BODIES using two (2) HINGE PINS, three (3) SMALL COTTER PINS, and one (1) CENTER HINGE PIN. **TIP:** Mount the charcoal hood first, by inserting the center hinge pin from the right. Then, position the gas hood and slide the center hinge pin through both the charcoal and gas hoods. Secure with cotter pin.

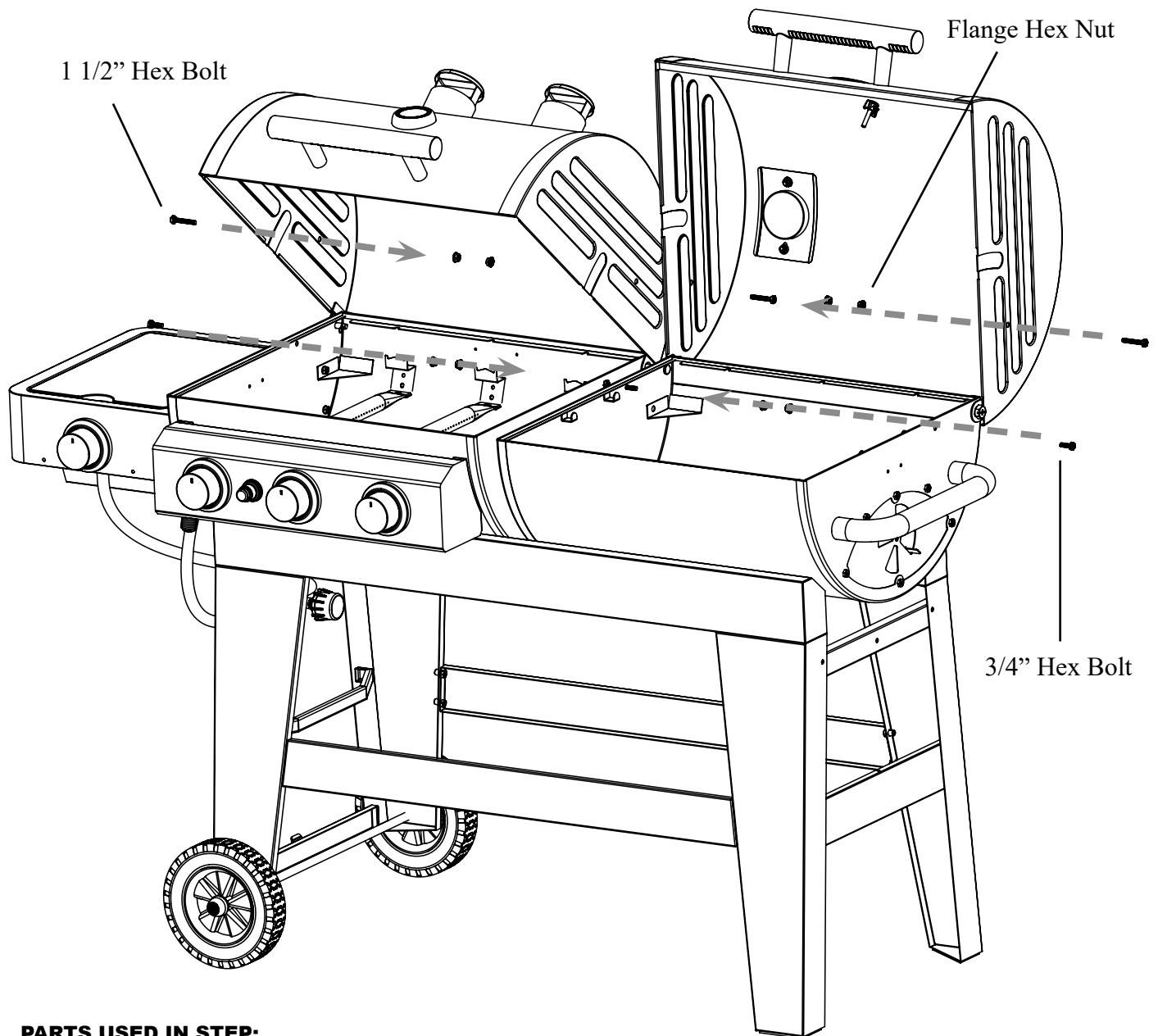


**PARTS USED IN STEP:**




-  Hinge Pin (2)
-  Center Hinge Pin (1)
-  Small Cotter Pin (3)

### Step 15

Attach WARMING RACKS to inside of GRILL HOODS using four (4) 1/2-20 x 1 1/2" HEX BOLTS, four (4) 1/4-20 x 3/4" HEX BOLTS, and twelve (12) 1/4-20 FLANGE HEX NUTS.



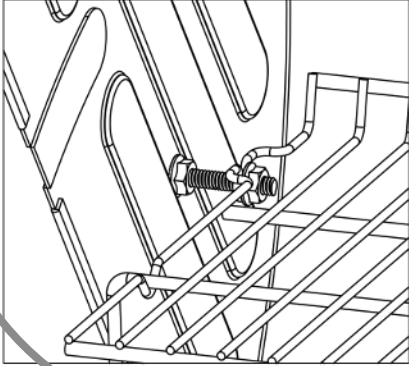
#### PARTS USED IN STEP:

-  1 1/2" Hex Bolt (4)
-  3/4" Hex Bolt (4)
-  Hex Nut (12)

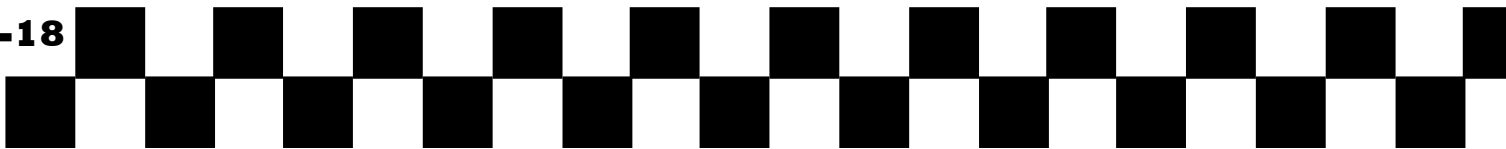
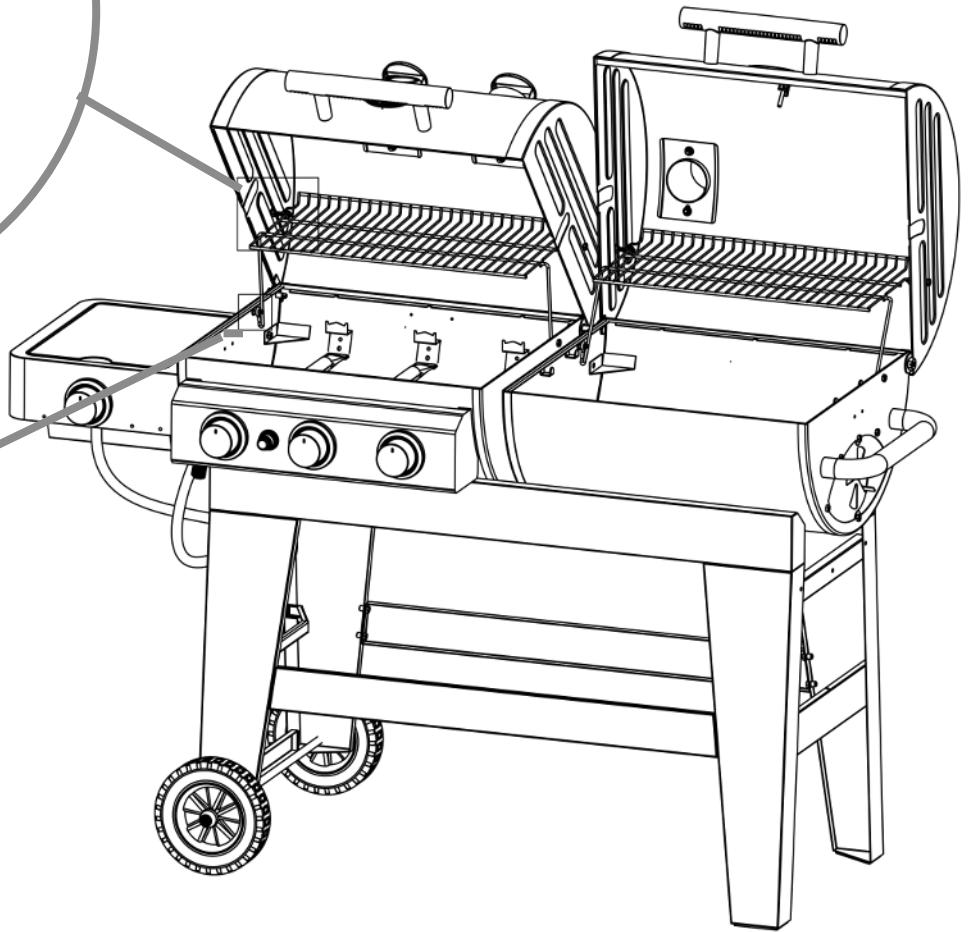
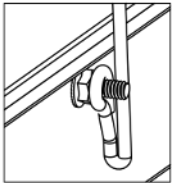


**Step 15 Continued**

**EXPLODED VIEW**

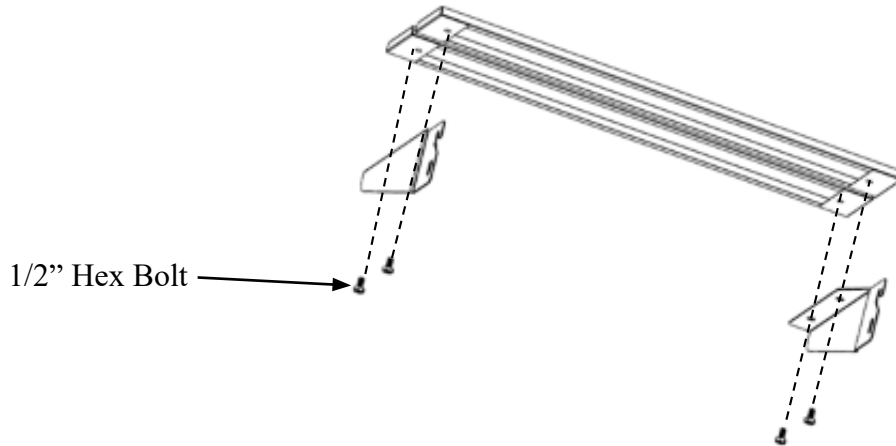


**EXPLODED VIEW**

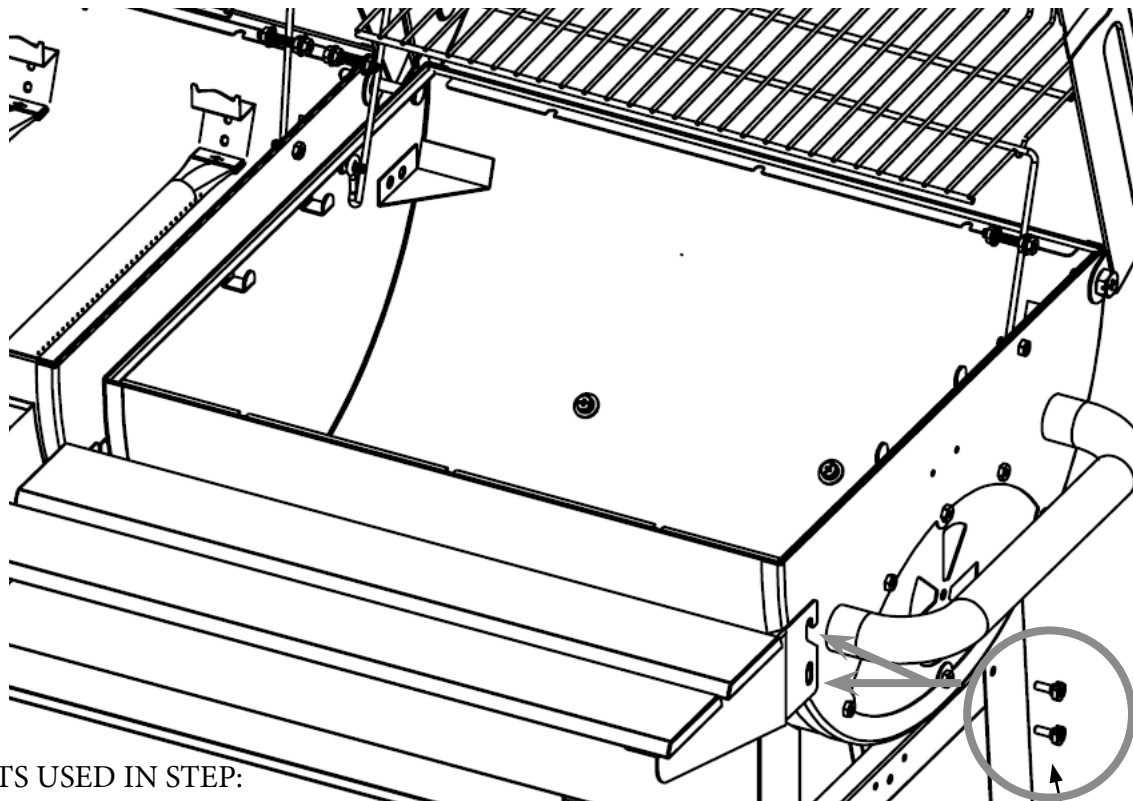


**Step 16**







Assemble the FRONT SHELF together. Then attach the FRONT SHELF assembly to the CHARCOAL GRILL BODY.



1/2" Hex Bolt



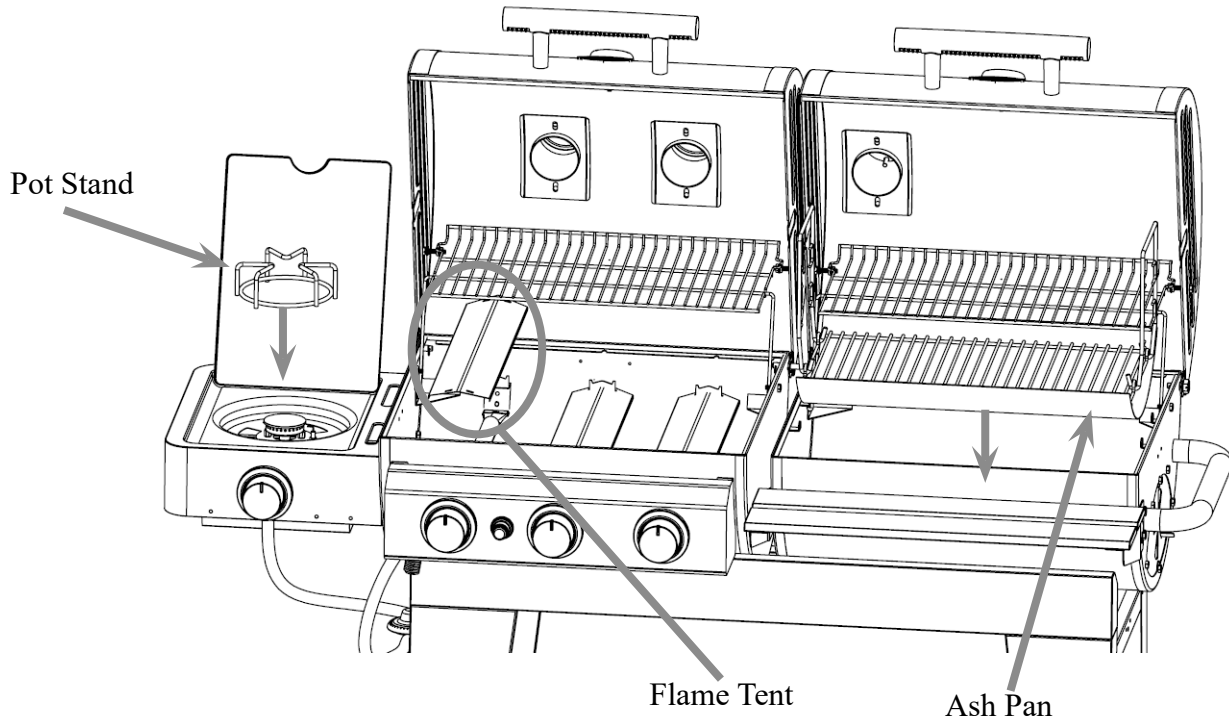
PARTS USED IN STEP:

-   Shoulder Bolt (4)
-   Hex Nut (4)
-   1/2" Hex Bolt (4)

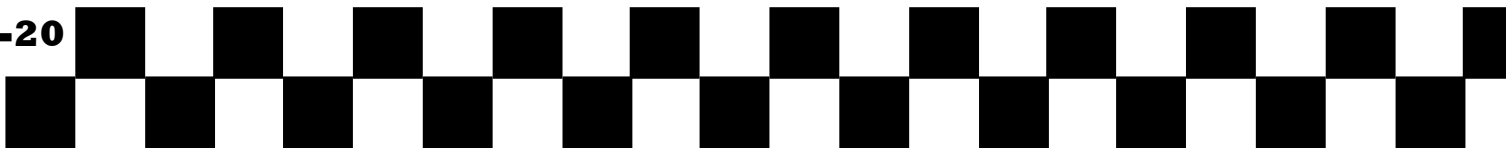
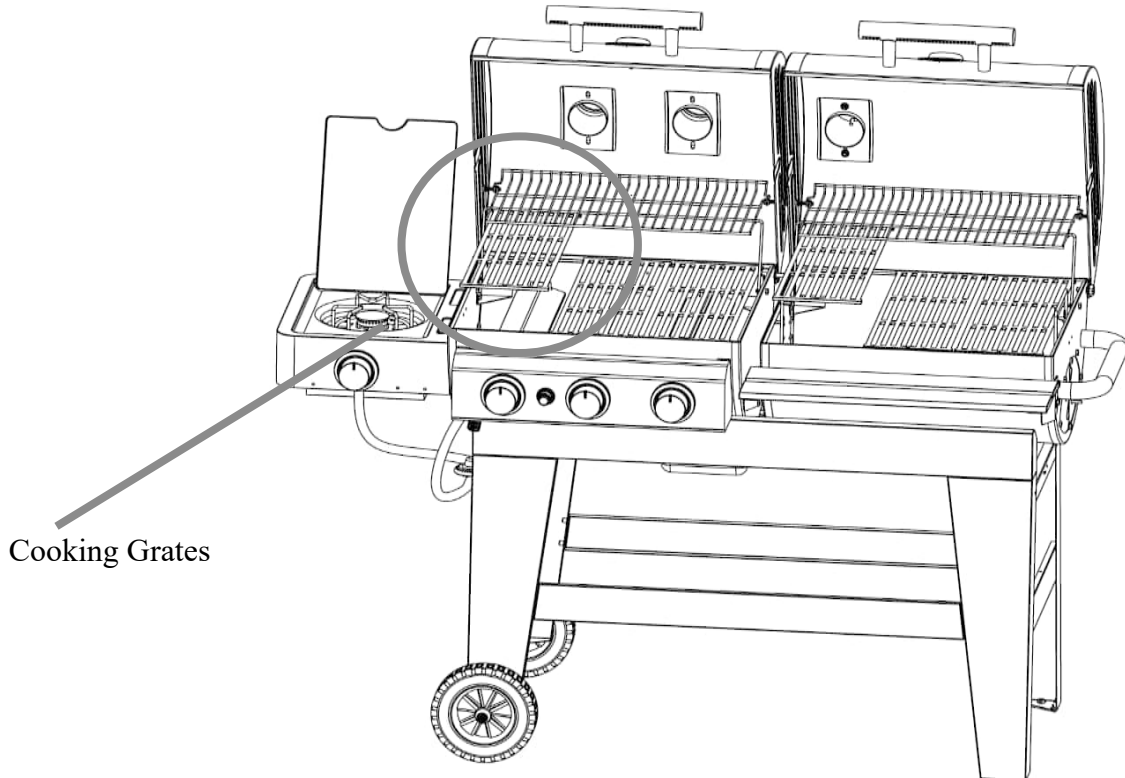
Shoulder Bolt



**Step 17:** Attach POT STAND to SIDE BURNER BODY, attach HEAT TENT over SIDE BURNER, and place ASPAN in CHARCOAL GRILL BODY with FIRE GRATE HANGERS.

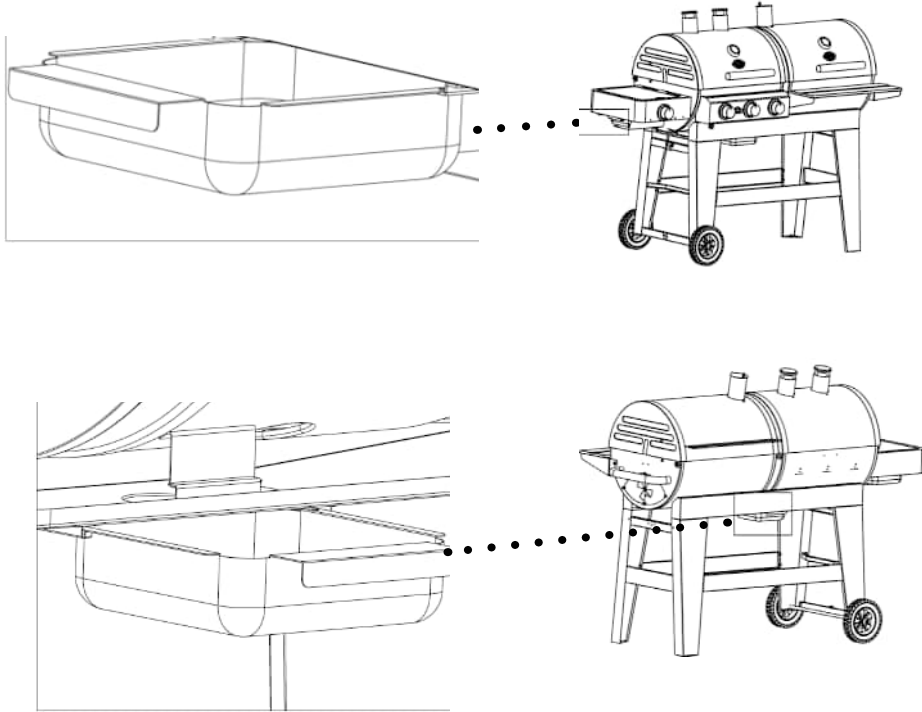


**Step 18:** Place COOKING GRATES in GRILL BODY.

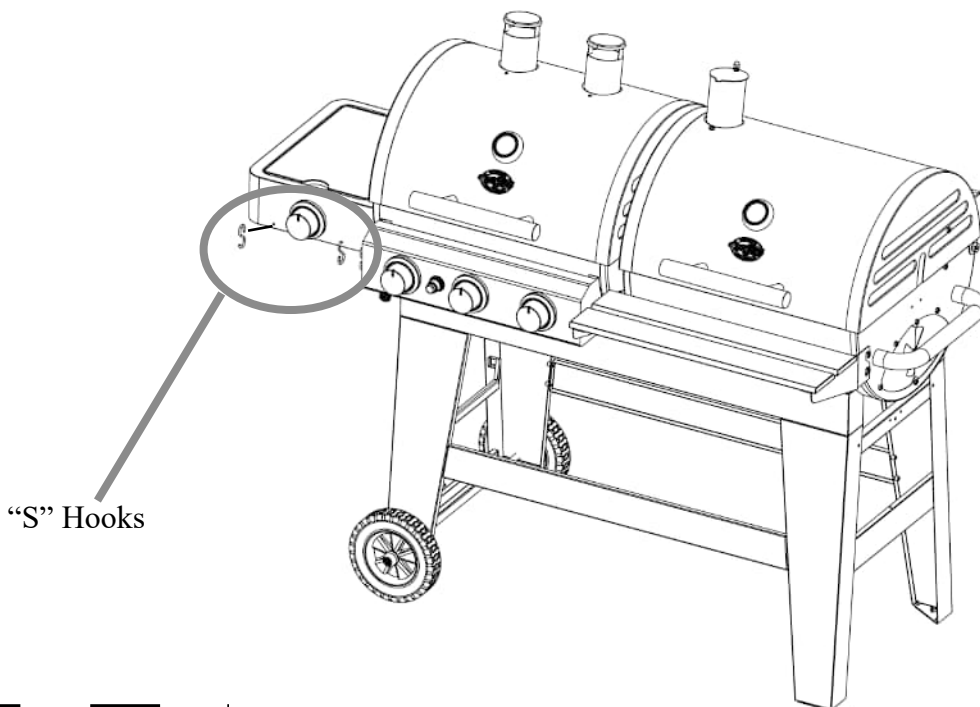


**Step 19**

Slide one (1) GREASE TRAY into place on guide rails underneath SIDE BURNER BODY and other GREASE TRAY underneath CATCH PAN.



**Step 20:** Attach UTENSIL HOOKS to SIDE BURNER using (3) "S" HOOKS.

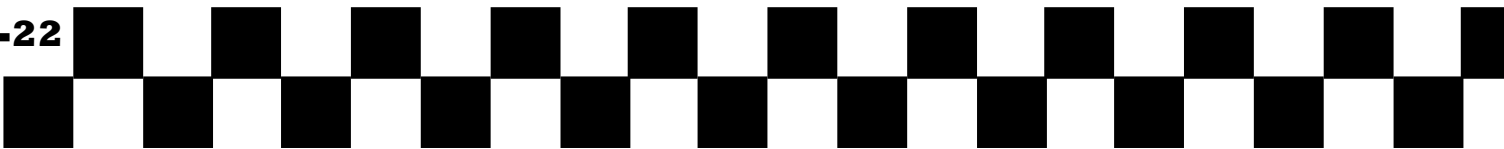
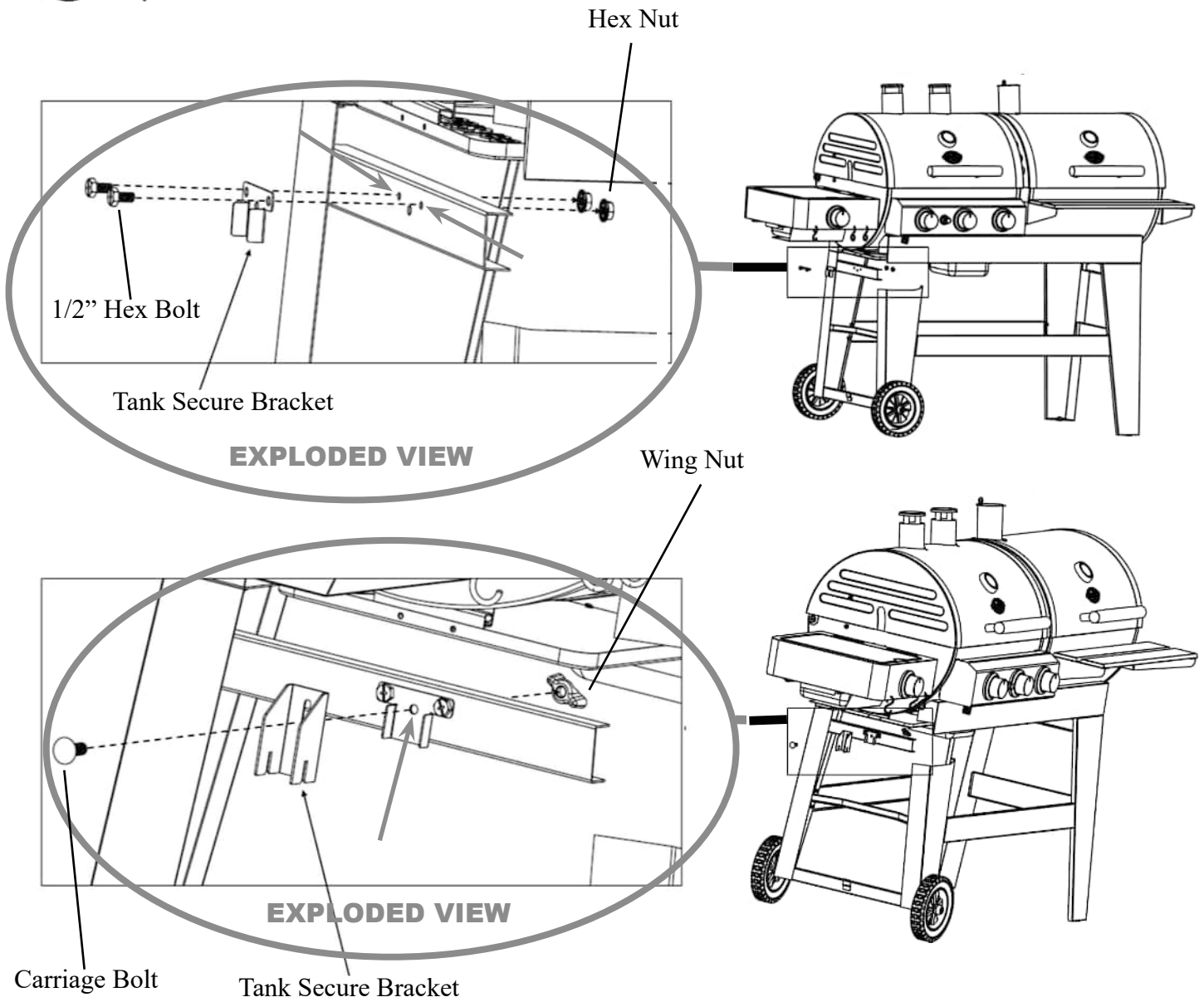
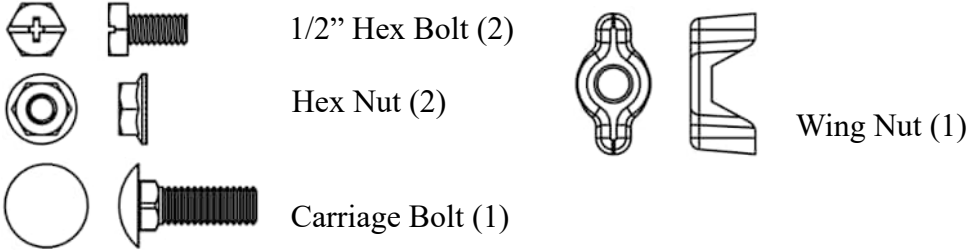




### Step 21

Attach TANK SECURE BRACKET to front of GAS GRILL BODY.

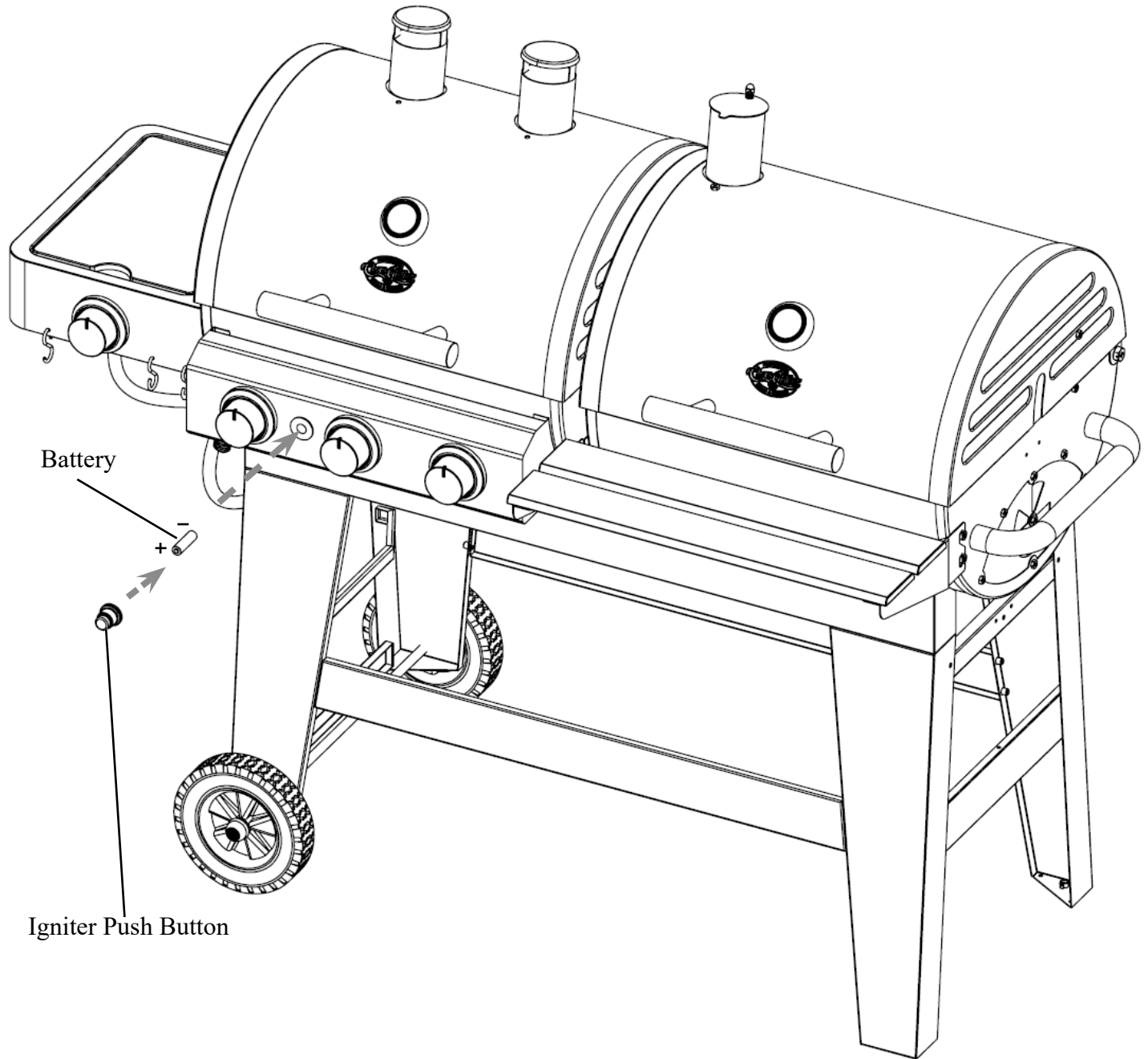
#### PARTS USED IN STEP:





## Step 22

Unscrew IGNITER PUSH BUTTON and insert one (1) "AA" battery, negative side first. Then screw back IGNITER PUSH BUTTON.





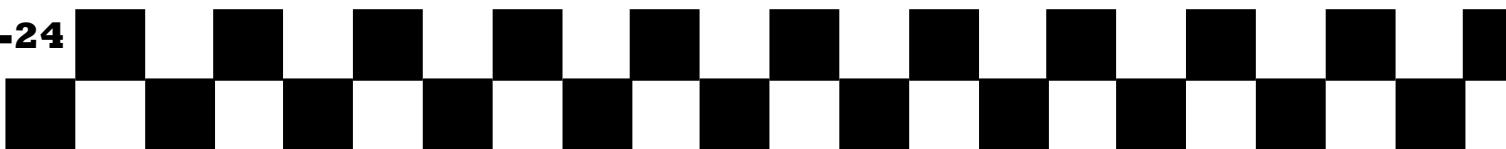
## Fully Assembled



### **Caution: Use only the regulator provided!**

If a replacement is necessary, please call our customer service department, 912- 638-4724. Do NOT use replacement parts that are not intended for this grill.

**Hint:** The paper label that is affixed to the hood is more easily removed when the hood is warm. Any remaining glue residue can be cleaned off with a spray lubricant like WD-40 . Do NOT use any other type of solvent or cleaner because this will damage the finish/paint/coating on the grill.



# OPERATING INSTRUCTIONS

## Setting Up

Set grill up on solid, flat surface with adequate wind shelter. Keep grill at least 0.5m from nearest wall. Protect LP cylinder from direct sunlight and keep away from heat sources (max. 122° F ). Do not move grill while hot, and do not leave unattended during operation.

Position gas cylinder next to device such that hose is not bent, twisted, subject to tension, or touching any hot parts of appliance. DO NOT place gas cylinder directly under burners.

## Regulator and Hose

These items are supplied with the appliance, but replacements are available from your equipment retailer or an authorized LP gas supplier. Use only regulators and hose approved for LP Gas at the above pressures. The life expectancy of the regulator is estimated as 10 years. It is recommended that the regulator is changed within 10 years of the date of manufacture.

The use of the wrong regulator or hose is unsafe; always check that you have the correct items before operating the appliance.

The hose used must conform to the relevant standard for the country of use. Worn or damaged hose must be replaced. Ensure that the hose is not obstructed, kinked, or in contact with any part of the barbecue other than at its connection.

## Connecting the Hose to the Appliance

Before connection, ensure that there is no debris caught in the head of the gas cylinder, regulator, burner, and burner ports. Spiders and insects can nest within and clog the burner/venturi tube at the orifice. A clogged burner can lead to a fire beneath the appliance.

Clean burner holes with a heavy-duty pipe cleaner.

If the hose is replaced it must be secured to the appliance and regulator connections with hose clips. Disconnect the regulator from the cylinder (according to the directions supplied with the regulator) when the appliance is not in use.

The appliance must be used in a well ventilated area. Do not obstruct the flow of combustion air to the burner when in use. ONLY USE THIS APPLIANCE OUTDOORS.



## Connecting the Gas Cylinder to the Grill

This appliance is only suitable for use with low-pressure butane or propane gas or LPG mixtures, fitted with the appropriate low-pressure regulator via a flexible hose. The hose should be secured to the regulator and the appliance with hose clips.

1. Ensure all control knobs are in the OFF position and verify that the gas cylinder valve is closed by turning the handle on the gas cylinder valve clockwise until it stops.
2. Remove the protective cap from the gas cylinder valve nozzle.
3. Hold regulator in a straight line with gas cylinder valve nozzle so the connection does not cross thread.
4. Insert regulator nipple into the gas cylinder valve nozzle opening.
5. Hand-tighten coupling nut in a clockwise direction. **Do not use tools!**
6. Perform a Leak Test. (See Leak Testing section of this manual).

### **\*\* BEFORE USE CHECK FOR LEAKS \*\***

*Never check for leaks with a naked eye. Always use a soapy water solution.*

**NOTE:** Before starting the grill, check for leaks. Make sure the regulator valve is securely fastened to the burner and the cylinder to prevent fire or explosion hazard when testing for a leak. Always perform the “Leak Test” as described below before lighting the grill or each time the cylinder is connected for use.

- Do not smoke or allow other sources of ignition in the area while conducting a leak test.
- Conduct leak test outdoors in a well-ventilated area.
- Do not use matches, lighters or a flame to check for leaks.
- Do not use grill until any and all leaks are corrected. If you are unable to stop a leak, disconnect the propane supply. Call a gas appliance serviceman or your local propane gas supplier.

## Leak Test

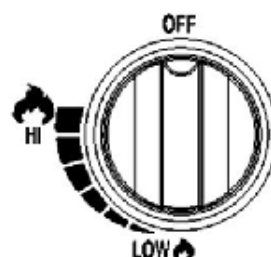
1. Mix 2-3 fl oz. of solution, 1 part dishwashing soap, 3 parts water.
2. Ensure control valve is closed.
3. Connect regulator to cylinder and valve to burner. Ensure connections are secure before turning on gas.
4. Retest after fixing leak.
5. Turn gas off after testing.

# Lighting Instructions

Always open hood while igniting grill. If grill does not light, always wait 5 minutes for gas to clear before relighting. Failure to do either may result in an explosive flare-up, which can cause serious bodily injury or death. Once lit, but before cooking on grill for first time, let grill sit for 15 minutes with hood closed. This heat cleans grill's internal parts from anything they may have come into contact with during manufacturing and shipping.

## Main Burners

1. Make sure there are no obstructions of airflow to gas unit. Spiders and insects can nest within and clog the burner tube. A clogged burner tube can lead to a fire beneath appliance.
2. Make sure all burner knobs are in OFF position.
3. Open valve on LP gas cylinder.
4. To ignite a burner, push in and rotate knob to "HIGH," then push and hold Electronic Ignition Button until burner lights. If burner does not light in 5 seconds, turn burner OFF, wait 5 minutes for gas to clear and repeat procedure. Repeat for all desired burners. Light only burners intended for use.
5. Adjust knobs to desired cooking setting.



**After lighting**, observe burner flame and make sure all burner ports are lit.

**If burner flame goes out during operation**, immediately turn gas off on control panel and gas cylinder valve. Open hood and let gas clear for 5 minutes before relighting. **Clean grill after each use.** DO NOT use abrasive or flammable cleaners, as they damage parts and may start a fire.

## Side Burner

1. Open lid during lighting. Lid must be open when burner is on.
2. Burner valves must be in OFF position.
3. Open cylinder valve.
4. Push in and rotate side burner knob slowly, about ¼ turn, until a click is heard. If burner does not light, immediately turn knob back to off and wait 5 minutes for gas to clear before repeating procedure.
5. After burner ignites, adjust knobs to desired cooking setting.



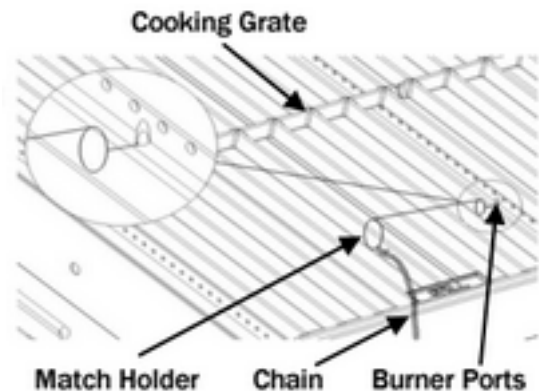
## Shutting off Burners

1. Turn knob(s) counterclockwise to HIGH position, then push in and turn to OFF. Never force knob without pushing in, as this can damage valve and knob. For side burner, push in and turn to OFF.
2. Promptly close gas cylinder valve.
3. Close grill hood.



## Lighting Burner with a Match

1. Push in and rotate knob to HIGH position
2. Place match in match holder installed on side of grill housing. Once lit, place flame through cooking grates near burner ports, as shown. Burner should light immediately.
3. Adjust knobs to desired cooking settings.



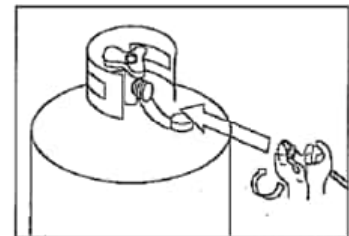
## Observe Flame Height When Lit

View burner flame through flame viewing hole. Flame should be blue and yellow in color, and approximately 1/2-inch to 3/4-inch tall on HIGH setting.



## Disconnecting the Gas Cylinder

1. Turn all control knobs to the OFF position and turn the handle on the gas cylinder clockwise until it stops.
2. Turn coupling nut on regulator in a counter-clockwise direction until regulator is released from threaded gas cylinder valve nozzle.
3. Place the protective cap over gas cylinder gas nozzle.



## Storage of Appliance

Storage of an appliance indoors is only permissible if the cylinder is disconnected and removed from the appliance. When the appliance is not in use, it should be covered and stored in a dry, dust-free environment.

## Gas Cylinder

The gas cylinder should not be dropped or handled roughly! If the appliance is not in use, the cylinder must be disconnected. Replace the protective cap on the cylinder after disconnecting the cylinder from the appliance.



Cylinders must be stored outdoors in an upright position and out of the reach of children. The cylinder must never be stored where temperatures can reach over 121° F. Do not store the cylinder near flames, pilot lights or other sources of ignition. **DO NOT SMOKE NEAR A GAS CYLINDER.**

Again, this appliance is designed for use outdoors, away from any flammable materials. It is important that there are no overhead obstructions and that there is a minimum distance of 90cm from the side or rear of the appliance. It is important that the ventilation openings of the appliance are not obstructed. The barbecue must be used on a level, stable surface. The appliance should be protected from direct drafts and positioned or protected against direct penetration by any trickling water (e.g. rain).

**Parts sealed by the manufacturer or its agent must not be altered by the user. No modifications should be made to any part of this appliance, and repairs and maintenance should only be carried out by a registered service engineer or technician.**

## **Seasoning, Curing, and Preparing**

**IMPORTANT! BEFORE YOU USE YOUR GRILL FOR THE FIRST TIME YOU MUST SEASON AND CURE IT TO PROTECT INTERIOR AND EXTERIOR FINISHES AND PREVENT THE ADDITION OF UNNATURAL FLAVORS TO YOUR FOOD.**

**NOTE:** Grill interiors are not painted. The interior is coated with vegetable oil. **DO NOT** remove this coating. It helps protect your grill from rusting.

1. Lightly coat all interior surfaces (including inside of barrel and cooking grates) with vegetable oil (spray vegetable oil is easiest but **KEEP AWAY FROM HOT COALS, FIRE OR FLAME**).
2. **Charcoal Grill:** Build a medium sized fire on the fire grate. Stack 2 lbs of charcoal (approximately 30 briquettes) in a pyramid and saturate with lighter fluid. **DO NOT** use gasoline. Light coals in several places. When charcoals ash over or turn gray, spread out from the pyramid into a flat single layer. Close charcoal grill hood. **ALWAYS** follow charcoal and lighter fluid manufacturers' instructions and warnings.
3. **Gas Grill:** Light burners and set on Medium-Low heat. Close gas grill hood.
4. Maintain 250° F temperature on both grills for two (2) hours. For gas grill, simply adjust knobs and monitor temperature. For charcoal grill, control heat with dual dampers and adjustable fire grate. Adjust grate one end at a time. More airflow means more heat.
5. **NEVER EXCEED 450°F (230°C) AS THIS WILL DAMAGE THE FINISH AND CONTRIBUTE TO RUST.**
6. You can lightly coat the exterior of the grill body (while warm) with vegetable oil. This will extend the life of the finish, much like waxing a car. Your grill is now ready for use.

**PAINT IS NOT WARRANTED AND WILL REQUIRE OCCASIONAL TOUCH-UPS.  
THIS UNIT IS NOT WARRANTED AGAINST RUST.**

**NOTE: Grill will drip oil during this process and for several uses afterwards. This is normal.**



# CLEANING AND CARE

**CAUTION:** All cleaning and maintenance should be done while grill is completely cool and with gas cylinder valve completely closed.

DO NOT clean any grill part in a self-cleaning oven. The extreme heat will damage the finish.

## Recommended Cleaning Materials

- Mild dishwashing liquid detergent
- Nylon cleaning pad
- Hot water
- Wire brush

## Cleaning

- Burning off the grill after every use (approximately 15 minutes) will keep excessive food residue from building up.
- DO NOT use cleaners that contain acid, mineral spirits or xylene.
- **Outside surfaces** - Use a mild dishwashing detergent and hot water solution to clean, then rinse with water.
- **Inside surface of grill hood** – If surface has appearance of peeling paint, baked on grease buildup has turned to carbon and is flaking off. Clean thoroughly with strong solution of detergent and hot water. Rinse with water and allow to completely dry. To prevent rusting, re-season after cleaning.
- **Interior of grill bottom** – Remove residue using brush, scraper and/or cleaning pad, then wash with dishwashing detergent and hot water solution. Rinse with water and let thoroughly dry.
- **Cooking Grates** – Porcelain grates have a glass-like composition that should be handled with care not to chip. Use mild dishwashing detergent or baking soda and hot water solution. Non-abrasive scouring powder can be used on stubborn stains, then rinse with water.
- **Heat Shield** – Clean residue with wire brush and wash with soapy water. Then rinse with water.
- **Grease Collector** – Periodically empty grease cup and clean with dishwashing soap and hot water solution.

**An uncoated interior will rust if not properly maintained with a regular coating of cooking oil on all bare metal surfaces inside the grill. You can use either vegetable spray or liquid vegetable oil applied using a paper towel on a cooled grill.**

## Cleaning the Burner Assembly

1. Turn gas off at control knobs and gas tank.
2. Remove cooking grates and heat shield.
3. Remove grease collector.
4. Remove burner by unscrewing self-taping screw using Phillips-head screwdriver.
5. Lift burner up and away from gas valve orifice.
6. Clean inlet (venture) of burner with small bottle brush or compressed air.
7. Remove all food residue and dirt on outside of burner surface.
8. Clean any clogged ports with stiff wire (such as a straightened paper clip).
9. Inspect burner for any damage (cracks or holes). If damage is found, replace with new burner. To re-install burner, ensure that gas valve orifices are correctly position inside burner inlet (venture). Also check position of spark electrode.



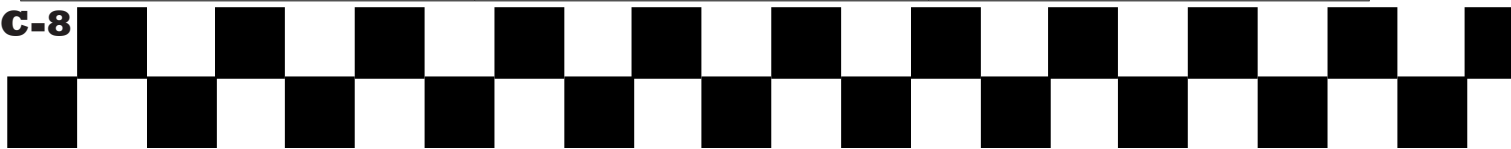
- Ashes left in bottom of CHARCOAL GRILL for too long hold moisture and may cause rust if not cleaned out.
- GRILL is made of steel and cast iron, which WILL rust, especially without proper care.
- Do not use self-starting charcoal, as it gives off an unnatural flavor. Burn lighter fluid off completely before cooking.
- After use, coat bare metal with vegetable oil to reduce rust. Remove EXTERIOR rust with wire brush and touch up with high heat paint, available at most hardware/auto stores.
- Make sure to empty GREASE TRAY after every use once completely cooled.
- HEAT GAUGES maintain moisture, which will result in steam during cooking.
- Fill unwanted holes with extra nuts and bolts (not provided). Note: Smoke will escape from other areas than smokestacks. This will not affect cooking.
- Grill must be installed on stable, flat surface.
- It is recommended that CHARCOAL GRILL be heated up and fuel kept red hot for at least 30 minutes prior to first time cooking. Do not cook before briquettes have turned gray with ash.
- WARNING! Accessible parts may be very hot. Use outdoors only.
- WARNING! Do not use spirit or petrol when lighting or relighting.
- WARNING! Keep children and pets away from appliance.

## **TROUBLESHOOTING**

<b>GAS GRILL TROUBLESHOOTING</b>		
<b>Problem</b>	<b>Possible Cause</b>	<b>Prevention/Cure</b>
Burner will not light using knobs.	Wires and/or electrode covered with cooking residue	Clean wire and/or electrode with rubbing alcohol
	Electrode and burners are wet	Wipe dry with cloth
	Electrode cracked or broken-sparks at crack	Replace electrode
	Wire loose or disconnected	Reconnect wire or replace electrode/wire assembly
Burner will not light with match.	No gas flow	Check if propane tank is empty. If propane tank is not empty, refer to "Sudden drop in gas flow or reduced flame height." If empty, replace or refill.
	Coupling nut and regulator not connected	Turn the coupling nut about one-half full connected to three quarters additional turn until solid stop. Tighten by hand only. Do not use tools.



<b>GAS GRILL TROUBLESHOOTING</b>		
<b>Problem</b>	<b>Possible Cause</b>	<b>Prevention/Cure</b>
Burner will not light with match.	Obstruction of gas flow	Clean burner tubes AND Check for bent or kinked hose
	Disengagement of burner to valve	Re-engage burner and valve
	Insects in venturi (burner insert)	Clean venturi
	Burner ports clogged or blocked	Clean burner ports
Sudden drop in gas flow or reduced flame	Out of gas	Change propane tank
	Excess flow safety device may have been activated.	Turn off knobs, wait 30 seconds and light grill. If flames are still too low. Reset the excessive flow safety device by turning off knobs and propane tank valve. Disconnect regulator. Turn burner control knobs off. Reconnect regulator and leak check connections. Turn propane tank valve on slowly, wait 30 seconds and then light the grill.
Irregular flame pattern, flame does not run the full length of burner.	Burner ports are clogged or blocked.	Clean Burner ports
Flame is yellow or orange.	New burner may have residual Manufacturing oils.	Burn Grill for 15 minutes with the lid closed
	Insect nests in venturi.	Clean venturi.
	Food residue, grease or seasoning salt on burner.	Clean burner
	Poor alignment of valve to burner venturi.	Assure burner venturi is properly engaged with valve.
Flame blows out	High or gusting winds	Turn front of grill to face wind or increase flame height. (We recommend not using grill during high winds)

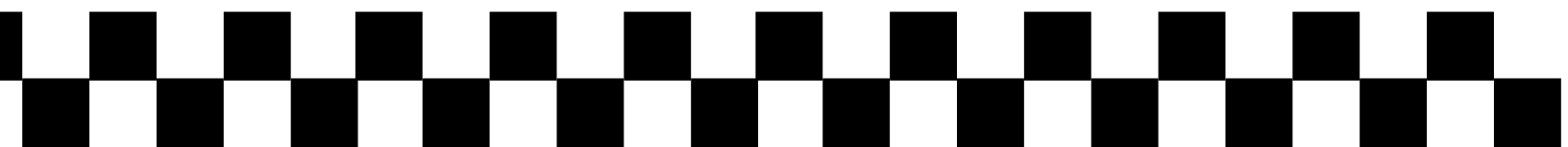


## **GAS GRILL TROUBLESHOOTING**

<b>Problem</b>	<b>Possible Cause</b>	<b>Prevention/Cure</b>
	Low gas pressure	Change propane tank
		Excess flow valve tripped
Flare-Up	Grease build-up	Clean grill
	Excessive fat in meat	Trim fat before grilling
	Excessive cooking temperature	Lower temperature accordingly Excessive cooking Temperature
Persistent grease fire	Grease trapped by food build-up around burner system.	Turn knobs to OFF. Turn gas OFF. Clean burner and tubes.
Flashback (fire in burner tube(s))	Burner and/or burner tubes dirty.	Turn knobs to OFF. Turn gas OFF. Clean burner and tubes.
Inside of lid appears to be peeling - like paint peeling	Baked on grease buildup has turned to carbon and is flaking off.	Clean inside of lid thoroughly. The lid is not painted on the inside. Re-coat with vegetable oil per earlier directions.



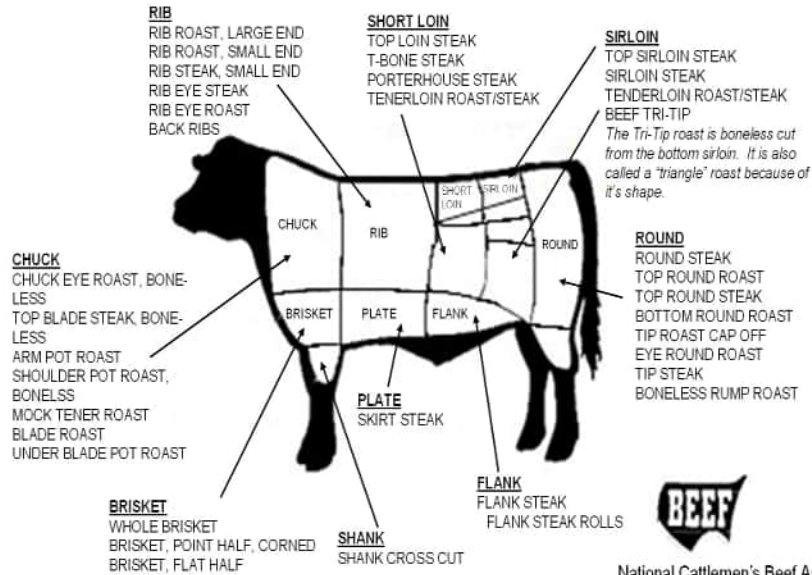
**This Page Intentionally  
Left Blank**



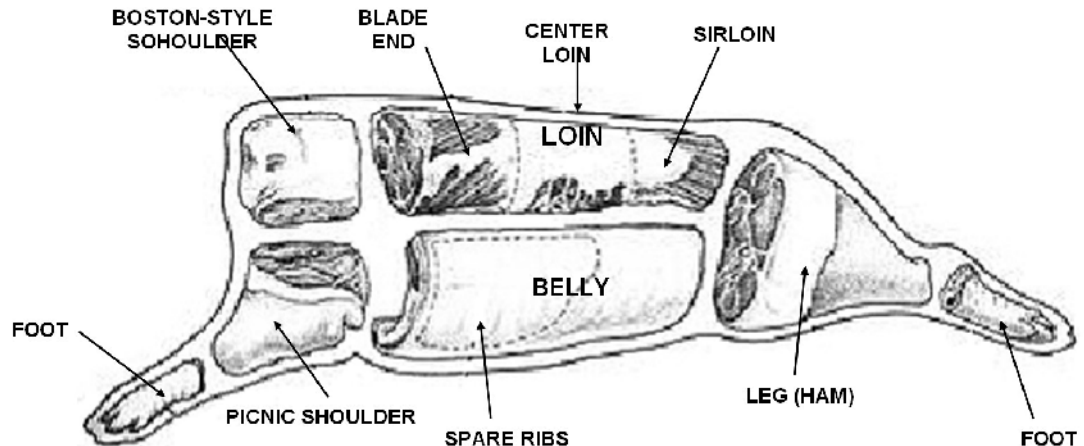
# GRILLING RECIPES

## Know Your Cuts of Meat

### BEEF CUTS



### PORK CUTS





## **Direct Heat**

- **Direct Heat is a high heat method used to cook foods that take less than 25 minutes to cook. Typically, this means foods that are relatively small or thin such as steaks, chops, boneless chicken breasts, fish fillets, hamburgers, etc.**
- **Cooking with a MEAT THERMOMETER ensures food is fully cooked. Insert into the thickest part not touching bone, and allow five minutes to register.**
- **Internal temperatures for FOWL should be 170°F to 180°F.**
- **Internal temperature for meat should be 140°F for rare, 160°F medium, and 170°F for well done.**

### **STEAK (& ALL MEATS):**

- Cook food on the charcoal side of the unit, directly above coals/heat.
- To grill meats, raise fire grate to high position (hot) and sear for one minute on each side with the lid open to seal in flavor and juices. Then lower fire grate to medium position with lid closed and cook to desired doneness.
- Control heat with dual dampers and adjustable fire grate.

**Tip:** Place grilled meat back in the marinade for several minutes before serving – it will become tastier and juicier.

**CAUTION:** Boil extra marinade first to kill bacteria remaining from the raw meat.

### **MARINATED FLANK STEAK:**

- Mix marinade ingredients in nonmetal dish.
- Let steak stand in marinade for no less than 4 hours in refrigerator.
- Brown each side for 5 minutes, but center should remain rare.
- Cut steak diagonally across the grain into thin slices before serving.
- Grill with fire grate in high (hot) position with lid open or closed.

### **Meat Marinade**

1/2 cup vegetable or olive oil  
1/3 cup soy sauce  
1/4 cup red wine vinegar  
2 tbsp lemon juice  
1 tsp dry mustard  
1 minced clove garlic  
1 small minced onion  
1/4 tsp pepper

### **QUAIL OR DOVES:**

- Cover birds in Italian dressing (Good Seasons or Kraft Zesty) and marinate overnight.
- Pour remaining dressing and cover with Texas Pete Hot Sauce for 6 hours.
- Wrap birds in thick bacon secured by a toothpick.
- Place on grill. Keep turning until bacon is black.

- Grill for 20 minutes. Sear with lid open and fire grate in high (hot) position for 1 minute on each side before lowering grate and closing lid.
- To SMOKE, place birds in center of GRID with fire in both ends of FIRE BOX.

### **KABOBS:**

- Alternating on skewers any combination of meat, onions, tomatoes, green peppers, mushrooms, zucchini, circular slice of corn-on-the-cob, or pineapple. Meat could consist of chunks of shrimp, scallops, lobster, chicken, sausage, pork, beef, etc.
- Marinate the meat in refrigerator for several hours.
- Grill each side approximately 7 minutes turning occasionally while basting with marinade. Leave a small amount of room between pieces in order to cook faster.
- Grill with lid up and the fire grate in the lowest position. See marinade recipe on last page.

### **Kabob Marinade:**

1 cup soy sauce  
 ½ cup brown sugar  
 ½ cup vinegar  
 ½ cup pineapple juice  
 2 tsp salt  
 ½ tsp garlic powder

- Mix all ingredients in a saucepan and bring to boil.
- Allow marinade to cool before marinating your meat in it.
- Marinate beef in mixture a minimum of 4 hours.

### **HOT DOGS:**

- Grill with lid up and fire grate in high (hot) position for approximately 6 minutes.
- Turn every few minutes.

### **HAMBURGERS:**

See Meat Marinade on prior pages.

You may also marinate by allowing to stand in marinade for 1 or 2 hours at room temperature before cooking, or let stand in covered dish in refrigerator up to 24 hours.

- Bring to room temperature before cooking.
- Mix in chopped onions, green peppers, salt, sear ¾ inch patties on each side with fire grate in high position for a few minutes.
- Lower fire grate to medium position and grill with lid down to avoid flare-ups.
- Cook each side 3 to 7 minutes according to desired doneness.
- Cook ground meat to 150 internally or until juice runs clear (free of blood) for prevention of E-coli.
- Burgers can be basted with marinade when turning and/or other ingredients can be mixed in with the ground beef such as chili sauce or powder.



**SHRIMP (Peeled) & CRAYFISH:**

- Place on skewers.
- Coat with melted butter and garlic salt.
- Grill 4 minutes on each side or until pink. Cocktail sauce optional.

**BAKED POTATOES:**

- Rub with butter and wrap in foil and cook on grill with lid down for 50 minutes.
- Turn after 25 minutes (no need to turn if smoked).
- Squeeze to check for doneness.

**SWEET CORN IN HUSKS:**

- Trim excess silk from end and soak in cold salted water 1 hour before grilling.
- Grill 25 minutes – turning several times.

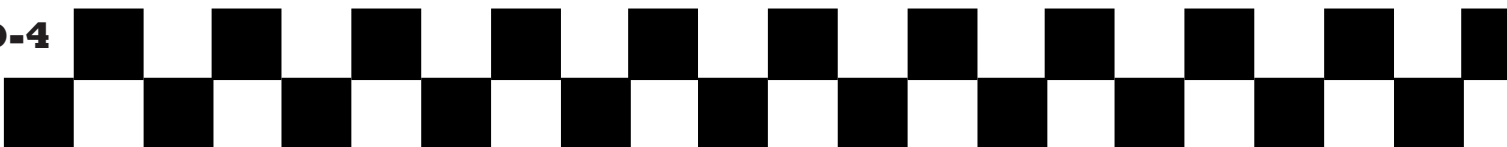
# SMOKING RECIPES

## Indirect Heat

**SMOKING TIMES**



Food	Weight	Water Pan Smokin'	Side Fire Box	Temperature on Meat Thermometer
Beef Roasts, Beef Brisket	3 – 4 lbs.	1 – 1½ hours	4 – 5 hours	140° rare
Lamb Roasts, Venison	5 – 7 lbs.	1¾ – 2½ hours	5 – 6 hours	160° medium
Large cuts of Game	7 – 9 lbs.	2½ – 3½ hours	7 – 10 hours	170° well done
Pork Roasts	3 – 4 lbs. 5 – 8 lbs.	1¾ – 2½ hours 2½ – 3 hours	5 – 6 hours 7 – 8 hours	170° 170°
Pork/ Beef Ribs	Full grill	1½ – 2 hours	4 – 6 hours	Meat pulls from bone
Pork Chops	Full grill	¾ – 1¼ hour	4 – 6 hours	Meat pulls from bone
Sausage Links	Full grill	2 – 2¾ hours	4 – 5 hours	170° for fresh sausage
Ham, Fresh	10 lbs.	3 – 4 hours	7 – 8 hours	170°
Ham, Cooked	All sizes	1½ – 2 hours	3 – 4 hours	130°
Chicken (Cut up or split)	1-4 fryers, cut up or split	1 – 1¼ hours	4 – 5 hours	180° / leg moves easily in joint
Chicken (Whole)	1-4 fryers	1¼ – 1½ hour	5 – 6 hours	180° / leg moves easily in joint
Turkey (Unstuffed)	8 – 12 lbs.	1¾ – 2½ hours	7 – 8 hours	180° / leg moves easily in joint
Fish, small whole	Full grill	½ – ¾ hours	2 – 3 hours	Flakes with fork
Fish, filets, steak	Full grill	¼ – ½ hours	1 – 3 hours	Flakes with fork
Duck	3 – 5 lbs.	1 – 1¾ hours	5 – 6 hours	180° / leg moves easily in joint
Small game birds	Full grill	¾ – 1 hour	4 – 5 hours	180° / leg moves easily in joint





Pan not included. Disposable bread pan is recommended. SMOKE BY COOKING SLOWLY (See chart above).

1. Place water/drip pan on left side of fire grate.
  2. Place hot coals on right side (damper end) of fire grate. The charcoal basket accessory helps confine coals to one side.
  3. Place meat above water pan.
  4. Place fire grate in low position.
  5. Close lid & control heat with dampers & adjustable grate.
- You may want to sear certain foods before smoking by placing meat directly above coals with LID open and FIRE GRATE in high (hot) position for several minutes. Add flavor soaked wood chips to the fire and add 1 part marinade, beer, or wine to 3 parts water to the drip pan.
  - OPENING THE SMOKING CHAMBER WILL EXTEND COOKING TIME. Cooking with meat thermometer ensures food is fully cooked. Insert thermometer into thickest part not touching bone, and allow five minutes to register. Internal temperature for birds should be 170°F to 180°F or when leg moves easily in joint. Meat should be cooked to internal temperature of 140°F for rare, 160°F for medium and 170°F for well done. Check the water level when cooking more than 4 hours or when you can't hear the water simmering. Add water by moving meat over and pouring water through GRILL into WATER PAN.
  - IF THE SMOKE IS WHITE, THE FIRE'S RIGHT. IF THE SMOKE IS BLACK, ADD SOME DRAFT.

### **SMOKED TURKEY:**

- Empty cavity rinse and pat dry with paper towel.
- Tuck wing tips under the back and tie legs together.
- Place in center of cooking grid directly above foil drip pan of water.
- Smoke for 12 minutes per pound. Allow several extra minutes per pound if stuffed to allow for expansion.
- Use a meat thermometer for best results (190F internal).

### **SMOKED BAKED HAM:**

You can smoke fully cooked canned ham or smoked and cured whole ham or shank or butt portion.

Glaze

1 cup of light brown sugar, firmly packed  
1/2 cup orange juice  
1/2 cup honey

- Combine sugar, juice and honey. Let glaze sit for at least 4 hours.
- Place fire grate in the lowest position and a drip pan under the meat.
- Remove rind and score fat diagonally to give a diamond effect.
- Insert a whole clove into the center of every diamond.
- Place ham with fat side up in center of cooking grid directly above drip pan. Close lid.
- About 9 minutes per pound is suggested for fully cooked hams. Smoked or cured ham, which is not fully cooked, should be cooked to an internal temperature of 160°F.



- Baste with ham glaze 3 or 4 times during last 30 minutes of cooking time.
- Garnish with pineapple rings about 15 minutes before end of cooking time.

### **SMOKED HOT DOGS STUFFED:**

- Slit hot dogs lengthwise, within 1/4 inch of each end.
- Stuff hot dogs with cheese and relish and wrap in bacon.
- Place on cooking grid over drip pan and smoke 15-20 minutes or until bacon is crisp.

### **SMOKED CHICKEN PARTS AND HALVES:**

- Rinse pieces in cold water and pat dry with paper towels.
- Brush each piece with vegetable oil and season to taste with salt and pepper.
- Brown pieces directly above coals with lid open and grate in high or medium position for several minutes.
- Then place pieces on cooking grate directly above drip pan.
- With the grate in the low position, cook with lid down for 55 to 60 minutes or until done. Do not use vegetable oil or salt and pepper if using marinade.

### **SMOKED VENISON:**

Venison Marinade:

- 1 cup Balsamic or wine vinegar
- 1 cup olive oil
- 2 oz. Worcestershire
- 1/2 oz. Tabasco
- 2 tbsp. Season All
- 1-2 chopped jalapenos
- 3 oz. soy sauce

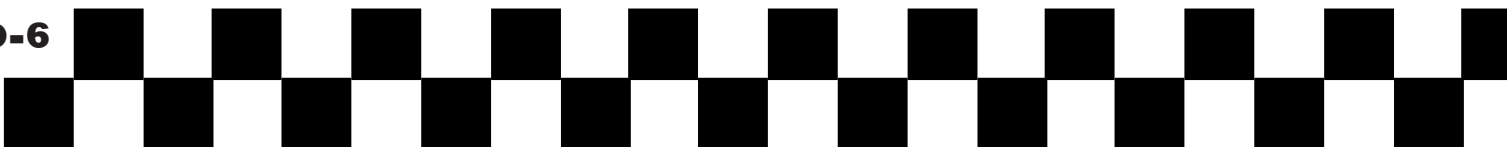
Bacon Marinade

- 2 oz. wine vinegar
- 2 oz. Worcestershire
- 4 dashes Tabasco

- Place leg of venison in a container or “hefty bag” and marinate for 2-4 days, turning daily. Marinate bacon overnight in its marinade.
- Remove roast from refrigerator at least an hour before cooking.
- Season generously with seasoned salt and coarse ground black pepper.
- Wrap 1 lb. Bacon over the top of the roast, and smoke 20/25 minutes per pound, or until tender. Do not overcook.

### **SMOKED SHRIMP & CRAYFISH:**

- Mix in a foil pan 1/2 cup butter, two cloves of crushed garlic, Tabasco, sliced green pepper, 1 tablespoon each of minced onions, salt and juices from one lemon.



- Add shrimp and/ or crayfish and smoke 45 minutes.

### **SMOKED VEGETABLES:**

- Turnips, potatoes, carrots, okra, mushrooms, peeled onions, zucchini, squash, etc.
- Put in pan and cover with water and cook for several hours while cooking the meat. Or place vegetables on grill and smoke for 50 minutes, either wrapped in foil or not.

### **SMOKED FISH:**

- Marinate in brine (1/4 cup dissolved in 1 qt of water) or marinate fish in 1 cup white wine, 1 cup soy sauce mixed with 1 cup lemon juice.
- Marinate overnight in covered dish in refrigerator.
- Let air on rack 20 minutes before placing on Pam-sprayed grill.
- Smoke 25 minutes.

### **SMOKED SPARE/BACK RIBS:**

- Peel off tough layer of skin on back side.
- Rub all surfaces with seasoning.
- Place ribs in center of grid above drip pan and smoke approximately 1 1/2 hours or until meat pulls away from bone.
- Baste with barbecue sauce during last 30 minutes.

### **CHICKEN MARINADE:**

Combine

1/2 cup soy sauce  
1/4 cup vegetable oil  
1/4 cup red wine vinegar  
1 teaspoon oregano  
1/2 teaspoon sweet basil  
1/2 teaspoon garlic powder with parsley  
1/4 teaspoon pepper

- Pour over chicken pieces in non-metal dish
- Cover and refrigerate overnight, turning occasionally. Use marinade to baste chicken while cooking.

### **MEAT MARINADE:** (For steaks, chops, and burgers)

Combine

1/4 cup soy sauce  
2 coarsely chopped large onions  
2 cloves garlic (halved)

- Combine ingredients in an electric blender, cover, and process at high speed 1 minute or until



mixture is very smooth.

- Stir in 1/4 cup bottle gravy coloring (Kitchen Bouquet and Gravy Master) and 2 teaspoons Beau Monde seasoning (or substitute 1 teaspoon MSG and 1 teaspoon seasoned salt).
- Allow meat to stand in marinade at room temperature for 2 hours or refrigerate up to 24 hours in a covered dish.
- Bring meat to room temperature before cooking.

### **SHISH KABOB MARINADE:**

Mix

- 1 cup soy sauce
- 1/2 cup brown sugar
- 1/2 cup vinegar
- 1/2 cup pineapple juice
- 2 teaspoons salt
- 1/2 teaspoon garlic powder

- Mix ingredients and bring to a boil.
- Marinate beef in mixture a minimum of 4 hours.

# ACCESSORIES

## Cover Custom Fit

Weather Resistant  
Protects Grill Finish  
Cover Accommodates Side  
Shelf or Side Fire Box



**Warming Rack**  
Increase Grill Area  
Keeps Food Warm



## Side Fire Box

Turn your charcoal  
grill into an au-  
thentic Texas-Style  
Offset Smoker in  
minutes!



## Charcoal Basket

Confines Coals to One  
Side for Smoking  
Indirect Cooking



## Rotisserie

Excellent for Effortless Grilling  
Universal Fit for Any Grill



## Tank Cover

Weather Resistant  
Nylon Velcro  
Elastic at Top and  
Bottom  
Cover Only  
Tank Not Included

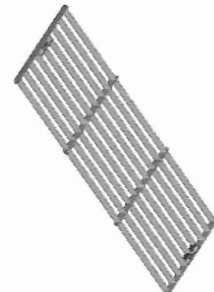
## Apron

Machine Washable  
Two Front Pockets  
Adjustable Straps



## Porcelain-Coated Cast Iron Grate

East Clean-Up  
Non-Stick  
Non-Warp

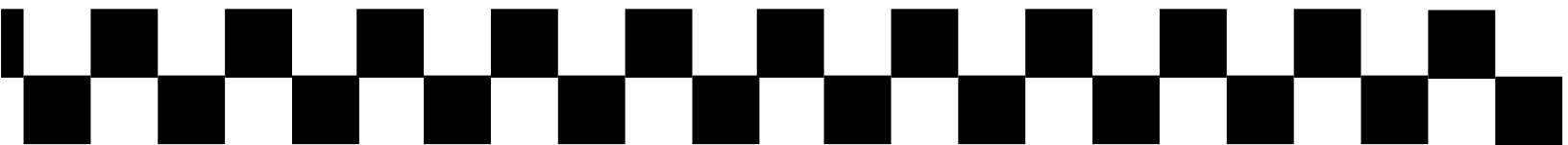


**For pricing or to order accessories visit:**

**[www.CharGriller.com](http://www.CharGriller.com)**



**Char Griller®  
Premier Specialty Brands, LLC,  
5367 New Peachtree Road, Suite 150,  
Chamblee, GA 30341  
[www.chargriller.com/pages/customer-support](http://www.chargriller.com/pages/customer-support)**



# MANUAL DEL USUARIO



## **Parrillera a Carbón o Gas (Propano Líquido)**

Modelos 5650

Patentado



**Para efectos de Garantía, guarda  
tu recibo con este manual.**



# TABLE OF CONTENTS

Advertencias De Seguridad.....	A-1
Instrucciones de Ensamblado.....	B-1
Instrucciones Operativas .....	C-1
Recetas Para La Parrilla .....	D-1
Accesorios .....	E-1



## PELIGRO

Si huele a gas

1. Cierre el gas al aparato
2. Apague cualquier llama abierta.
3. Abra la tapa.
4. Si el olor persiste, aléjese del aparato y llame inmediatamente a su proveedor de gas oa los bomberos .



## ADVERTENCIA

1. No almacene o use gasolina u otros líquidos o vapores inflamables cerca de este o cualquier otro electrodoméstico
2. Un tanque de gas no esté conectado para ser utilizado no debe ser almacenado en las cercanías de este o cualquier otro aparato

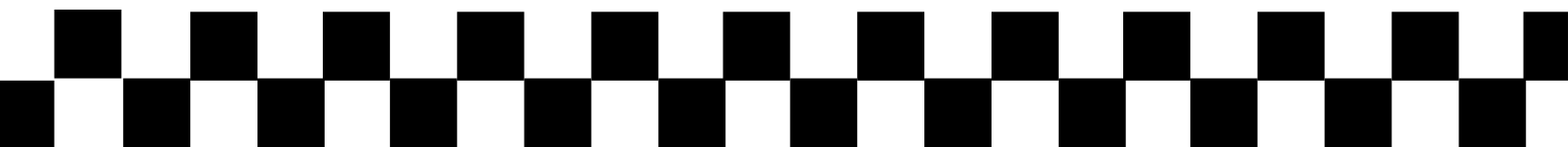


## ADVERTENCIA

**Para uso al aire libre solamente ( fuera de cualquier recinto )**

### PROP 65 WARNING:

Productos químicos que el estado de California como causante de cáncer y defectos de nacimiento u otro duro reproductiva son creados por la combustión de gas propano, carbón o otros productos de madera.





# ADVERTENCIAS DE SEGURIDAD

Se requiere de un cilindro de gas propano para su operación. Esta parrillera a gas no ha sido diseñada para usos comerciales.

**GUARDE ESTAS INSTRUCCIONES PARA FUTURAS REFERENCIAS. SI ESTÁ ARMANDO EL EQUIPO PARA ALGUIEN MÁS, ENTRÉGUELE ESTE MANUAL PARA RESGUARDO Y FUTURAS REFERENCIAS. PARA ATENCIÓN AL CLIENTE, LLAME AL 912-638-4724.**

**Exclusivamente para el uso al aire libre y en áreas bien ventiladas.**

## **ADVERTENCIA:**

La inapropiada instalación, ajuste, modificación, servicio o mantenimiento podría causar daños a la propiedad o lesiones. Lea cuidadosamente las instrucciones de instalación, operación y mantenimiento antes de armar o hacerle servicio al equipo.

El incumplimiento de estas instrucciones podría resultar en explosiones o incendios que podrían causar daños a la propiedad, lesiones o muerte.

## **PELIGRO:**

NO utilice parrilleras a gas para calentar o cocinar en interiores. Los vapores TÓXICOS pueden acumularse y causar asfixia. No utilice en botes o vehículos recreativos.

## **ADVERTENCIA:**

Los elementos y partes accesibles pueden estar muy calientes. Mantenga a los niños pequeños fuera de su alcance. Lea las instrucciones antes de utilizar el equipo. El uso de partes no autorizadas puede crear ambientes y condiciones inseguras.

**NOTA:** El uso e instalación de este producto debe cumplir con las normativas locales o, en ausencia de normativas locales, se regirá por el Código Nacional de Combustibles, ANSI Z223.1/NEPA54.

**AVISO IMPORTANTE:** Lea cuidadosamente todas las instrucciones previo al ensamblado y uso. Lea y comprenda todas las advertencias y precauciones antes de operar su parrillera.

## **[Propuesta 65 de California] ADVERTENCIA:**

Este producto contiene polvo de madera y otras sustancias que el Estado de California reconoce como cancerígenas. Evite inhalar el polvo de madera generado por productos de madera o utilice una máscara anti polvo u otra protección, para evitar la inhalación del polvo generado por la madera. El Estado de California reconoce que ciertos químicos generados a partir de la combustión de los productos de maderas pueden producir cáncer, malformaciones y otros daños al aparato reproductivo. Código de Seguridad y Salud de California Sección 25249.6



## LEA TODAS LAS INSTRUCCIONES Y ADVERTENCIAS DE SEGURIDAD CUIDADOSAMENTE ANTES DE ENSAMBLAR Y OPERAR SU PARRILLERA

Lea todas las instrucciones cuidadosamente y asegúrese de que su parrillera esté ensamblada, instalada y reciba mantenimiento apropiadamente. El incumplimiento de estas instrucciones puede causar daños a la propiedad y/o lesiones severas. Si tiene alguna pregunta relacionada con la instalación u operación, consulte a su agencia o compañía de gas de propano líquido (GPL o Gas LP).

Mientras esté en funcionamiento, coloque el equipo y el cilindro de gas en una superficie plana, lisa y nivelada.

La parrillera puede ser utilizada con cilindros de gas entre 24-33 lb (11-15 Kg). La parrillera será más eficiente si se utiliza propano o mezclas de GPL. El butano también puede ser utilizado, pero debido a las condiciones del equipo, el cilindro podría congelarse y suministrar el combustible en presiones reducidas, afectando el desempeño de la parrillera.

NO mueva la parrillera durante su funcionamiento.

NO intente desconectar ningún conector de gas mientras la parrillera este encendida.

NO utilice botellas de gas si el cilindro y/o la válvula están dañadas, oxidadas o presentan hendiduras, ya que pueden resultar peligrosas. Contacte a su proveedor para una revisión.

NO se apoye en una parrillera con la tapa abierta, cuide manos/dedos cerca del borde del área de cocción.

Si ocurre un incendio, apague todos los quemadores de gas, cierre la tapa, y manténgase alejado de la parrillera hasta que el fuego se extinga.

Si la llama se apaga mientras utiliza el equipo, cierre todas las válvulas de gas y deje la tapa abierta.

Vuelva a la parrillera después de cinco minutos e intente prender nuevamente los quemadores, siguiendo las instrucciones de encendido. Mantenga a los niños y mascotas alejados de la parrillera cuando se encuentre en funcionamiento. Algunas partes de la parrillera estarán extremadamente calientes.

Cuando limpie las válvulas y quemadores, tenga cuidado de no estirar los orificios de las válvulas o puertos de los quemadores.

Mueva las mangueras de gas tan lejos como sea posible de superficies caliente y gotas de aceite caliente.

Los cilindros pueden contener combustible aun cuando parezcan vacías. En todo momento, transporte/ almacene los cilindros adecuadamente.

Si existe una fuga de gas en el cilindro, aléjese del cilindro inmediatamente y llame a su proveedor de gas o a los bomberos. NO intente solucionar esto por sí mismo.

NO utilice una llama para chequear fugas de gas.

REALICE una prueba de fugas y de obstrucción de quemadores antes de utilizar la parrillera. Es muy importante después de un periodo de almacenamiento o de inutilización.

El tubo flexible deberá ser cambiado cuando se dañe, rompa o para la fecha de expiración impresa en el tubo. O, deberá cambiar el tubo cada cinco (5) años.

Siempre conecte o reemplace su cilindro en un área bien ventilada, y nunca en la presencia de una llama, chispa o fuente de calor.

Mantenga la parrillera fuera del alcance de cualquier material inflamable.

Cierre el suministro del contenedor de gas, luego de su uso.

No altere esta parrillera de ninguna manera.

A menos que utilice equipo de protección (guantes para parrilleras, sostenedores, etc.), no toque las partes de

metal de la parrillera hasta que se haya enfriado por completo (cerca de 45 minutos) para evitar quemaduras.

Considere que las partes selladas por el fabricante o agente no deben ser alteradas.

Cuando ensamble la parrillera, ubique el tubo de conexión flexible de manera que se encuentre protegido de dobleces.

Manténgase alejado de cualquier fuente de ignición cuando cambie el contenedor del combustible.

Cuando ensamble la parrillera, no obstruya los orificios de ventilación del compartimiento contenedor de la parrillera. Nos reservamos el derecho a realizar pequeños ajustes técnicos a este equipo.

Cuando cocine con aceite/grasa, no permita que exceda los 350° F (177° C). No almacene o utilice aceite de cocina extra en los alrededores o en cualquier otro equipo.

Nunca llene el cilindro más allá del 80% de su capacidad. El incumplimiento de la información anterior, puede causar un incendio que resulte en la muerte o lesiones graves.

### **SI HUELE A GAS:**

1. Cierre la entrada de gas al equipo.
2. Apague cualquier llama encendida.
3. Abra la Tapa.
4. Si el olor continúa, mantenga la parrillera alejada y llame inmediatamente a su proveedor de gas o a los bomberos.



No guarde o utilice gasolina u otros líquidos o vapores inflamables en un perímetro de 25 pies (9 m) de éste o cualquier otro equipo. Un cilindro de GPL no conectado debería ser guardado a no menos de 10 pies (3 m) del equipo.

### **PRECAUCIÓN**

Esta parrillera trabaja únicamente con gas propano (cilindro de gas propano no incluido).

Nunca intente sujetar esta parrillera al sistema de propano independiente de un tráiler, casa rodante, o casa.

Nunca utilice fluido de encendido o carbón con una parrillera a gas.

No utilice gasolina, querosén o alcohol para encender. El cilindro de suministro de GPL debe ser construido y marcado en conformidad con las especificaciones para cilindros de gas propano del Título 49 del Código de Regulaciones Federales 49 del Departamento de Transporte de los Estados Unidos.

Esta parrillera no está destinada al uso en vehículos recreativos y/o botes.

No utilice la parrillera a menos que esté completamente instalada y todas las partes estén ajustadas y colocadas correctamente.

Mantenga todas las superficies y objetos combustibles a un mínimo de 36 pulgadas (91,4 cm) de la parrillera en todo momento.

NO utilice esta parrillera ni productos a gas cerca de construcciones combustibles no protegidas.

No utilice en ambientes explosivos. Mantenga el área de la parrillera libre de cualquier material combustible, gasolina y otros líquidos o vapores inflamables.

Nunca mantenga un contenedor lleno en una carro caliente o en la maleta de un carro. El calor causará que la presión aumente, y podría abrir una válvula de alivio, permitiendo que el gas escape.

Mantenga el compartimiento de la válvula, los quemadores y ductos de circulación del aire de la parrillera limpios. Inspeccione la parrillera antes de cada uso.



## **ADVERTENCIA**

Esta parrillera está diseñada únicamente para el uso en exteriores, y no debe ser utilizada en edificios, garajes o cualquier otro ambiente cerrado.

El uso de alcohol y medicamentos prescritos o no prescritos, puede afectar la habilidad del operador para instalar u operar apropiada y seguramente la parrillera.

Siempre abra la tapa de la parrillera lenta y cuidadosamente ya que el calor y vapor atrapado dentro de la parrillera puede quemarlo severamente.

Siempre coloque la parrillera en una superficie dura y plana, lejos de combustibles. Una superficie de mármol o asfalto puede no ser correcta para este propósito.

No deje una parrillera encendida sin supervisión. Mantenga a los niños y mascotas alejados de la parrillera en todo momento.

No coloque la parrillera en cualquier tipo de superficie de mesa.

No utilice la parrillera durante vientos fuertes.

Desconecte el tanque de propano (GPL) al cerrar la válvula encima del tanque de propano, luego cierre las válvulas de los quemadores y desconecte el regulador de la válvula del tanque de propano girando el conector plástico en sentido anti horario. Desenrosque el perno de ala en el estante inferior para liberar y poder retirar el tanque.

## **PELIGRO**

El GPL es un gas inflamable y peligroso si es manejado incorrectamente. Conozca sus características antes de utilizar cualquier producto de propano.

Características del propano: inflamable, explosivo bajo presión, más pesado que el aire, y se asienta en áreas bajas y piscinas.

En su estado natural, el propano es inodoro. Por su seguridad, se ha aplicado un odorante.

El contacto con propano puede causar quemaduras frías a la piel.

La industria envía la parrillera para ser utilizada exclusivamente con propano.

Nunca utilice un cilindro de propano con un cuerpo, válvula, collar o base dañada.

Los cilindros de propano hendidos u oxidados pueden ser peligrosos y deben ser revisados por su proveedor de gas propano.

Sea precavido durante el ensamblaje y operación de la parrillera, para evitar rasguños y cortadas con bordes filosos.

No utilice gasolina, querosén o alcohol para encender el carbón. El uso de cualquiera de esos o de productos similares podría causar una explosión que resulte en lesiones severas.

Sea precavido cuando mueva la parrillera, para evitar lesiones.

Cuando agregue carbón y/o leña, hágalo con mucho cuidado.

Nunca mueva la parrillera cuando se encuentre en uso o cuando contenga carbones o cenizas encendidas.

ADVERTENCIA: Para prevenir lesiones utilice guantes o equipo de protección cuando toque los soportes de

la bandeja de cenizas.

No exceda una temperatura de 400° F.

No permita que el carbón y/o leña repose en las paredes de la parrillera. Esto reduciría considerablemente la vida útil de la parrillera.

**PRECAUCIÓN:** Las compuertas de metal expuestas en los ductos de aire y/o manillas de metal se calientan durante el uso de la parrillera. Use siempre los agarradores para horno cuando ajuste el flujo de aire, para proteger las manos de quemaduras.

Cuando abra la tapa, asegúrese de empujarla completamente hasta que descansa sobre los soportes de apoyo de la tapa. Tenga mucho cuidado ya que la cubierta podría caer a la posición de cerrado, causando lesiones.

Cierre la tapa y todas las rejillas para ayudar a extinguir la llama.

Siempre sostenga una tapa abierta por el asa, para prevenir que se cierre inesperadamente.

No deje carbones y cenizas sin supervisión. Antes de dejar la parrillera sin supervisión, retire los carbones y cenizas. Tome precauciones para protegerse a sí mismo y a la propiedad.

Coloque los carbones y cenizas cuidadosamente en un contenedor de metal no combustible y satúrale completamente con agua. Permita que los carbones y cenizas reposen por 24 horas en el contenedor de metal previo a su desecho.

Para protegerle de las bacterias que pueden causar enfermedades, mantenga todas las carnes refrigeradas y descongélelas en el refrigerador o microondas. Mantenga las carnes crudas separadas de otras comidas, y lave todo lo que entre en contacto con la carne cruda.

Cocine las carnes cuidadosamente, y refrigere los excedentes inmediatamente.

Utilice un termómetro para comida calibrado y los lineamientos del Departamento de Agricultura de los EE.UU. para asegurarse de que la carne, aves, mariscos y otros alimentos cocidos alcancen una temperatura mínima saludable para su ingesta.

Las baterías no recargables no deben ser recargadas.

No mezcle diferentes tipos de baterías, como alcalinas, de carbón-zinc o recargables.

No mezcle baterías usadas y nuevas.

Las baterías desgastadas deben ser removidas del producto.

Las baterías son incluidas.

**NO TIRE LAS BATERÍAS AL FUEGO. LAS BATERÍAS PUEDEN EXPLOTAR O DERRAMARSE.**



# ¡PARE! ¡LLAME PRIMERO A

## NO Devuelva el Producto a la Tienda.

Este producto ha sido construido bajo los más altos estándares de calidad. Si tiene alguna pregunta que no esté respondida en estas instrucciones, o si necesita piezas o reemplazos, comuníquese con el Departamento de Servicio al Cliente en [www.chargriller.com/pages/customer-support](http://www.chargriller.com/pages/customer-support); Tenga a mano el número de serie de su parrilla.

## **REGISTRE SU PARRILLERA:**

Para aprovechar al máximo la garantía Char-Griller, registre su parrilla en línea en [www.chargriller.com/pages/customer-support](http://www.chargriller.com/pages/customer-support)

Registrarse le otorga protecciones importantes:

1. En el caso extremo del retiro de un producto, Char-Griller podrá contactarle y solucionar el problema rápidamente.
2. Si una parte cubierta por la garantía está rota o faltante, podemos enviarle rápidamente las partes que requiera o necesite.

NOTA: Durante el registro, usted necesitará el número de modelo, serial y una copia de la factura de compra original.

### **Documente el Número de Serial y Modelo de su Parrillera AQUÍ:**

(El número de modelo y serial se encuentran en la parte trasera del cuerpo de la parrillera o en la pata.)

---

(NÚMERO DE MODELO)

---

(NÚMERO DE SERIAL o S/N)



Model# 2727 Date ZDD  
S/N: C2727005471A

(ejemplo)

# INFORMACIÓN DE GARANTÍA

DURANTE EL REGISTRO O INTRODUCCIÓN DE UN RECLAMO DE GARANTÍA\* DEBERÁ PRESENTAR COPIA DE LA PRUEBA DE COMPRA FECHADA (RECIBO). POR FAVOR, GUARDE UNA COPIA DEL RECIBO PARA SUS REGISTROS.

Char-Griller reemplazará cualquier pieza defectuosa de sus parrilleras/ahumadores, sujetos a garantía, como se establece a continuación.

**POR FAVOR LEA ESTA INFORMACIÓN DETENIDAMENTE Y SI TIENE ALGUNA PREGUNTA, CONTACTE AL SERVICIO AL CLIENTE EN [www.chargriller.com/pages/customer-support](http://www.chargriller.com/pages/customer-support)**

<b>Parrilleras a Carbón / Pellet / Kamado</b>	
Parrillera - Tapa Y Cuerpo (no incluye Recipiente para Cenizas removible)	5 años desde la fecha de compra para casos de perforación por oxidación / quemadura
Recipiente para Cenizas Y Partes Defectuosas	1 año desde la fecha de compra
<b>Parrilleras a Gas</b>	
Tapa de Parrillera (parte SUPERIOR) Y Tubos del Quemador Principal (no incluye el Quemador Lateral)	5 años desde la fecha de compra para casos de perforación por oxidación / quemadura
Cuerpo de la Parrillera (parte INFERIOR) Y Quemador Lateral Y Partes Defectuosas	1 año desde la fecha de compra
<b>Parrilleras Doble Combustible (Gas y Carbón)</b>	
Parrillera a Carbón - Tapa Y Cuerpo Y Tapa de la Parrillera a Gas (parte SUPERIOR) Y Tubos del Quemador Principal (no incluye Recipiente para Cenizas y Quemador Lateral)	5 años desde la fecha de compra para casos de perforación por oxidación / quemadura
Recipiente para Cenizas Y Partes Defectuosas Y Cuerpo de la Parrillera a Gas (parte INFERIOR) Y Quemador Lateral	1 año desde la fecha de compra
<b>Partes, Accesorios, y Cubiertas para Parrilleras</b>	1 año desde la fecha de compra (sólo desgarros en costuras para cubiertas)

## EL ÓXIDO SUPERFICIAL NO ES CONSIDERADO UN DEFECTO DE MANUFACTURA O DE MATERIAL

Las parrilleras Char-Griller están hechas de acero y al ser expuestas a los elementos ambientales se producirá la oxidación naturalmente. Por favor, refiérase a la sección "Uso" para revisar como cómo cuidar su parrillera apropiadamente.

Los problemas superficiales como: ralladuras, hendiduras, corrosión o decoloración por calor, limpiadores químicos o abrasivos, la oxidación de la superficie o la decoloración de superficies de acero NO están cubiertos por esta garantía.

Las garantías sólo cubren el reemplazo de partes defectuosas. Char-Griller no se hace responsable de daños que resulten de accidentes, modificaciones, usos indebidos, abuso, ambientes hostiles, instalación incorrecta e instalación que no cumpla con las normativas locales para la unidad de servicio.

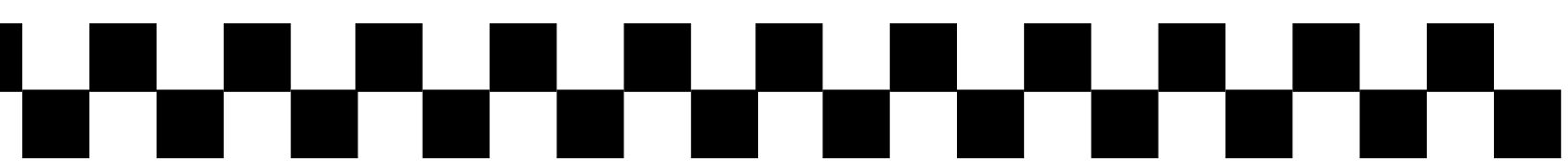
### Excluidos De TODA Garantía

Pintura; Óxido de Superficie; Daño por Temperatura; Partes Incorrectas ordenadas por el cliente, incluyendo el envío; Partes Desgastadas; Partes faltantes o dañadas no reportadas en los (2) meses posteriores a la fecha de compra; Partes Defectuosas no reportadas durante el primer (1) año de la fecha de compra; Decoloración de la tapa de la parrillera.

\*NOTA: Para reclamos de garantía, pueden ser solicitadas fotos y la devolución prepagada del artículo en cuestión. El uso indebido, abuso o uso comercial anula todas las garantías.

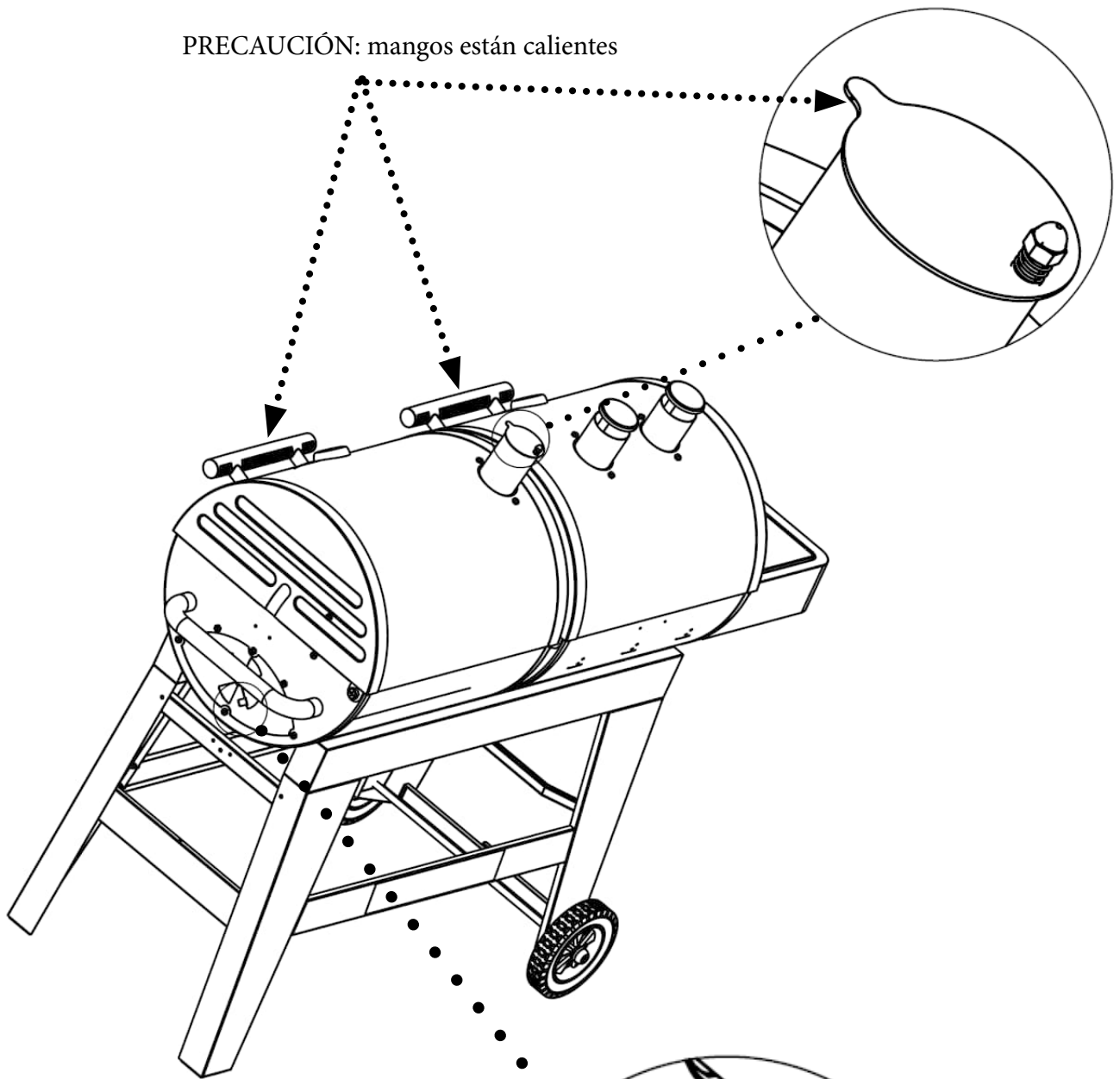


**Esta Página Ha Sido  
Intencionalmente Ha Dejado  
En Blanco**

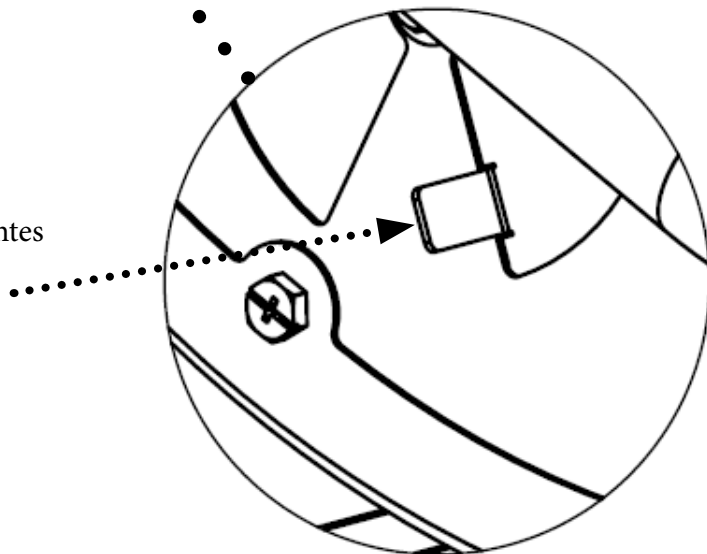




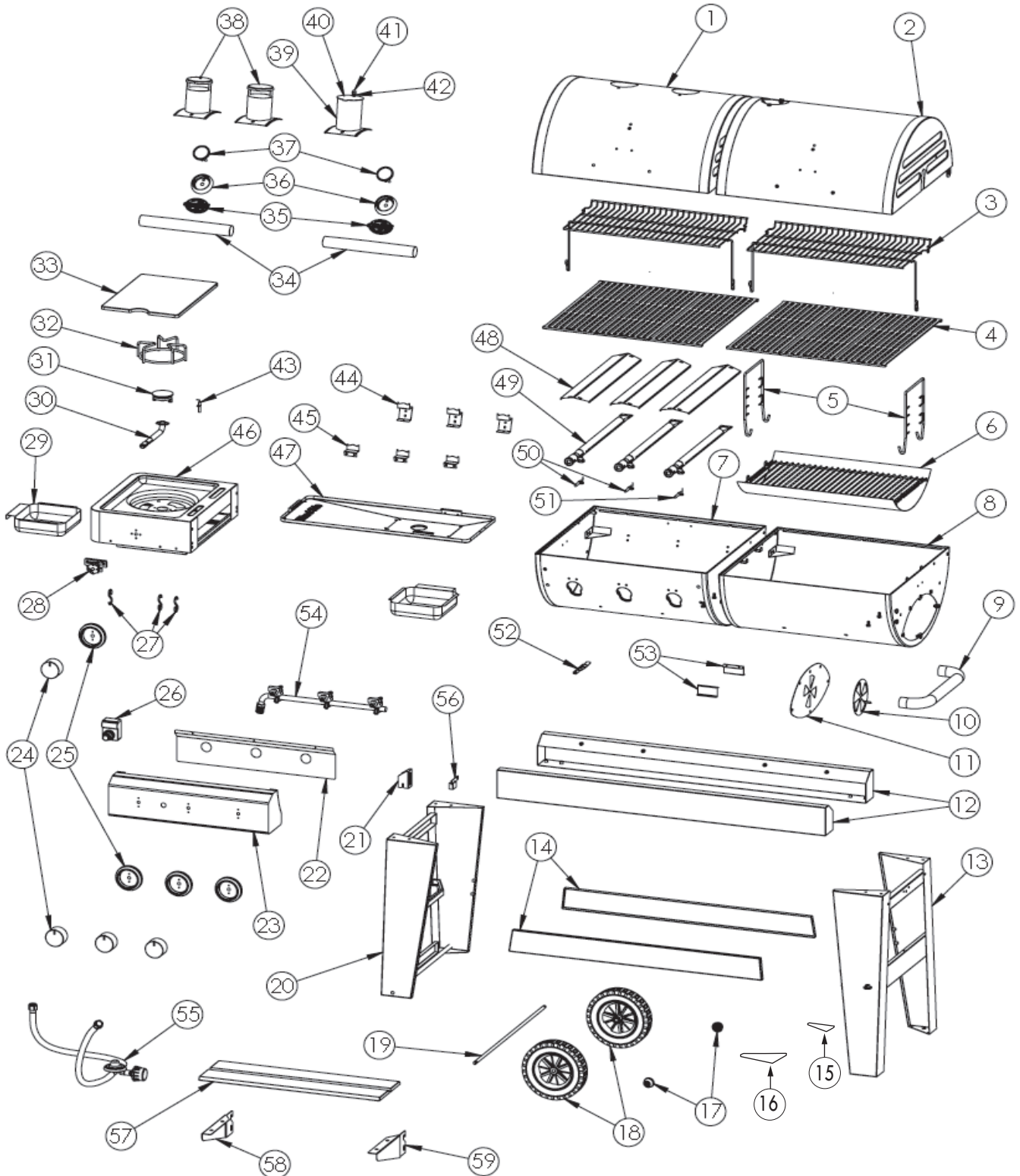
PRECAUCIÓN: mangos están calientes



PRECAUCIÓN: mangos están calientes



# LISTA DE PARTES



# LISTA DE PARTES

Artículo	Cantidad	Nombre de la Parte	Artículo	Cantidad	Nombre de la Parte
1	1	TAPA DE PARRILLERA A GAS ENSAMBLADA	32	1	PUESTOS PARA OLLAS – TODAS LAS PARRILLERAS
2	1	TAPA DE PARRILLERA A CARBÓN ENSAMBLADA	33	1	TAPA DEL ASADOR LATERAL
3	2	REJILLA DE CALENTAMIENTO CON SOPORTE PARA PARRILLA DE 3 HORNILLAS	34	2	ASA DE LA TAPA CON TUERCAS Y PASADORES
4	6	REJILLAS DE COCCIÓN – REJILLAS DE PORCELANA CON HENDIDURA DE 1 PULGADA (1 PIEZA) 19.75 X 6.75 (NUEVAS)	35	2	PLACA CON LOGO
5	2	SOSTENEDORES DE REJILLA	36	2	ENGASTE PARA TERMÓMETRO
6	1	CENICERO	37	2	TERMÓMETRO
7	1	PARTE INFERIOR B (NUEVA PARTE INFERIOR 5050)	38	2	CHIMENEA PARA GASES
8	1	PARTE INFERIOR B A CARBÓN	39	1	CHIMENEA PARA CARBÓN
9	1	ASA LATERAL	40	1	COMPUERTA DE CHIMENEA (BARBECUÁ)
10	1	CÍRCULO AMORTIGUADOR, NEGRO	41	1	TUERCA CIEGA
11	1	AMORTIGUADORES DE LA CHIMENEA - ATORNILLADAS (PARRILLERAS A CARBÓN)	42	1	RESORTE DE CHIMENEA
12	2	ESTRUCTURA FRONTAL Y TRASERA SOLDADA	43	1	PUNTA DEL ENCENDEDOR DEL QUEMADOR LATERAL
13	1	PATA DERECHA SOLDADA	44	3	TUBO DEL QUEMADOR/ SOPORTE DEL PROTECTOR DE ESTALLIDO NILLABLE) PARA BARBECUE POSTERIOR
14	2	FRENO TRASERO Y DELANTERO DEL CARRO	45	3	TUBO DEL QUEMADOR/ SOPORTE DEL PROTECTOR DE ESTALLIDO ATORNILLABLE) PARA BARBECUE ANTERIOR
15	1	ALMOHADILLA DE SILICÓN DE PATAS TRASERAS	46	1	CUERPO DEL QUEMADOR LATERAL
16	1	ALMOHADILLA DE SILICÓN DE PATAS DELANTERAS	47	1	BANDEJA RECOLECTORA GRANDE (REMOVIBLE)
17	2	ALMOHADILLA DEL CENTRO – TODAS LAS PARRILLERAS	48	3	PROTECTOR DE LLAMA
18	2	RUEDA DE CAUCHO 8" NUEVA	49	3	QUEMADOR
19	1	BARRA DEL EJE	50	2	PUNTA DEL ENCENDEDOR DEL QUEMADOR C/CABLE CORTO – TODAS LAS PARRILLAS A GAS
20	1	PATA IZQUIERDA SOLDADA	51	1	PUNTA DEL ENCENDEDOR DEL QUEMADOR C/PROLONGADO – TODAS LAS PARRILLAS
21	1	SOPORTE ASEGURADOR DEL TANQUE	52	1	SOPORTE DE TAPÓN PARA BANDEJA RECOLECTORA (CURVO)
22	1	PROTECTOR DE CALOR DE VÁLVULAS/ENCENDIDO	53	2	SOPORTES PARA DESLIZADOR DE BANDEJA RECOLECTORA
23	1	PANEL DE CONTROL (UFC)	54	1	COLECTOR/ VÁLVULAS PARA ENSAMBLAJE
24	4	PERILLA	55	1	MANGUERA/ VÁLVULA/ REGULADOR PARA ENSAMBLAJE
25	4	DIAL DE LA PERILLA	56	1	TANQUE DE APOYO SECURE SOPORTE
26	1	ENCENDEDOR DE 3 TOMAS	57	2	ESTANTE FRONTAL PIZARRA
27	3	GANCHO "S" – TODAS LAS PARRILLERAS A GAS	58	1	ESTANTE DELANTERO IZQUIERDO SOPORTE
28	1	VÁLVULA INTEGRADA	59	1	SOPORTE DE ESTANTE FRONTAL DE SOPORTE DERECHO
29	2	BANDEJA PARA LA GRASA			
30	1	TUBERÍA DEL ASADOR LATERAL			
31	1	FUNDIDO TAPA DEL QUEMADOR DE HIERRO			


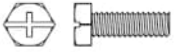






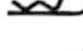








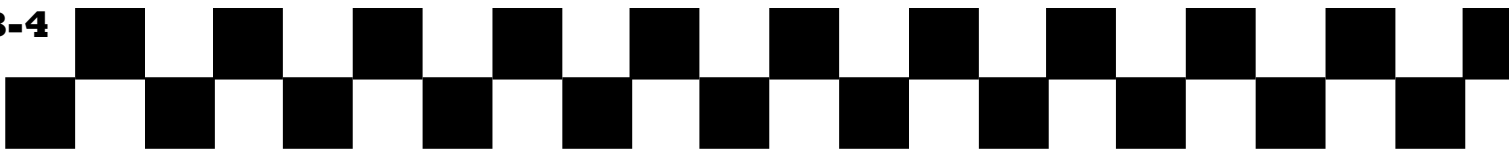
# EQUIPOS Y HERRAMIENTAS NECESARIAS

**Ensamblaje:** Requiere 2 personas. Haz que otra persona te ayude. Herramientas necesarias: Destornillador de estrías y una Llave de Tuercas 7/16".

**NOTA:** No apriete ningún tornillo a menos que se le diga. El apretar demasiado pronto puede impedir que las partes puedan encajar juntas. Todas las Tuercas Hexagonales deben ir del lado interno de la parrillera a menos que se establezca lo contrario. Desempaque todo el contenido en un área bien despejada y acolchada.

**Tiempo Estimado de Ensamblado:** 45 minutos

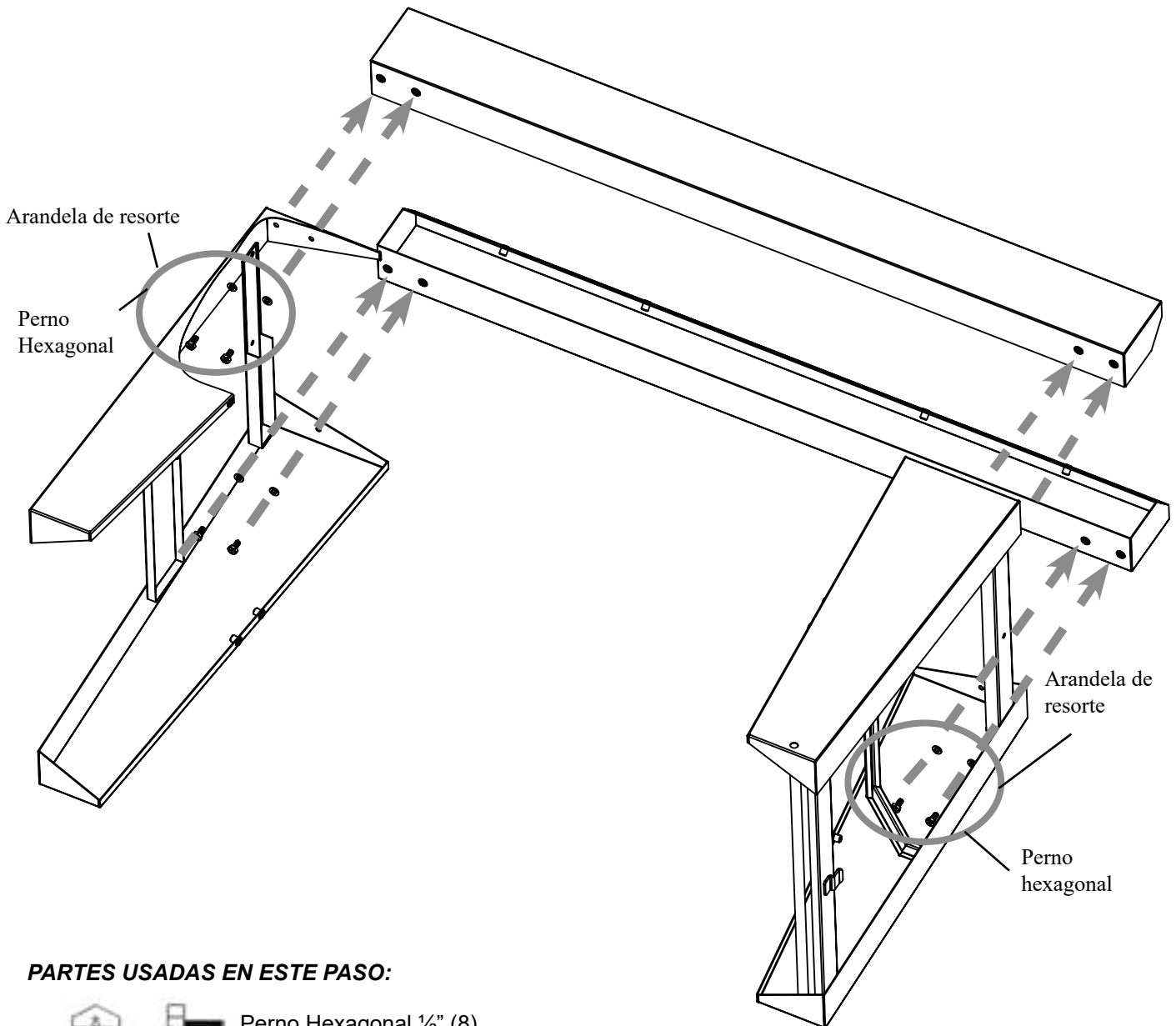
	PERNO 1/4-20x 1 1/2.....	4 PIEZAS
	PERNO 1/4-20x 3/4 .....	5 PIEZAS
	PERNO 1/4-20x 1/2.....	46 PIEZAS
	ARANDELA PLANA 2/5".....	2 PIEZAS
	ARANDELA PLANA 1/4".....	10 PIEZAS
	TUERCA HEXAGONAL 1/4-20 .....	25 PIEZAS
	ARANDELA DE RESORTE 1/4".....	27 PIEZAS
	PASADORES .....	2 PIEZAS
	PASADOR GRANDE.....	2 PIEZAS
	PASADOR PEQUEÑO .....	3 PIEZAS
	PASADOR CENTRAL.....	1 PIEZA
	TORNILLO.....	3 PIEZAS
	PERNO #10-24 X 0.40".....	6 PIEZAS
	TAPA PROTECTORA.....	2 PIEZAS
	PERNO DE PORTE.....	1 PIEZAS
	TUERCA DE MARIPOSA.....	1 PIEZAS
	PERNO DE HOMBRO .....	4 PIEZAS



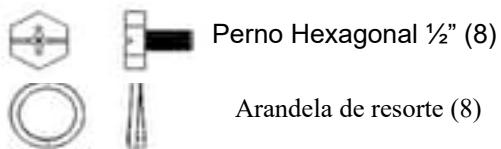
# Instrucciones de Ensamblado

## Paso 1

Fije la PATA IZQUIERDA Y LA PATA DERECHA DE ENSAMBLAJE al FRENTE Y ATRÁS DE LOS SOPORTES DE ENSAMBLAJE usando (8) PERNOS HEXAGONALES  $\frac{1}{4}$ -20 x  $\frac{1}{2}$ ", y ocho (8) ARANDELAS DE RESORTE  $\frac{1}{4}$ ".

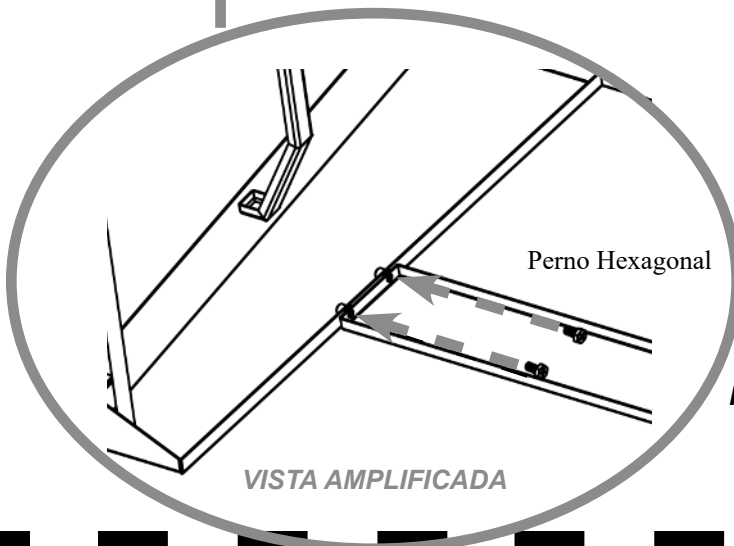
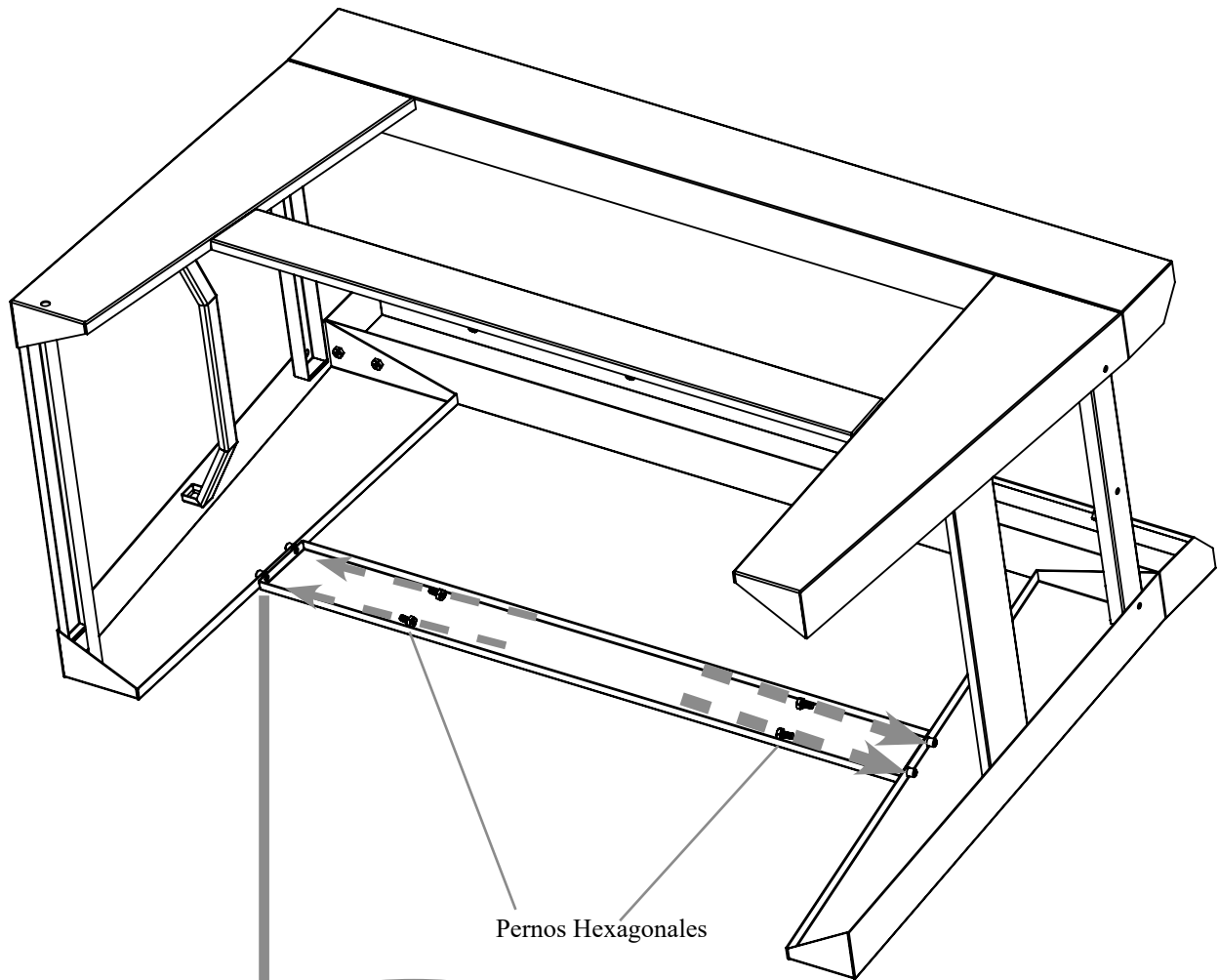


### PARTES USADAS EN ESTE PASO:



**Paso 2**

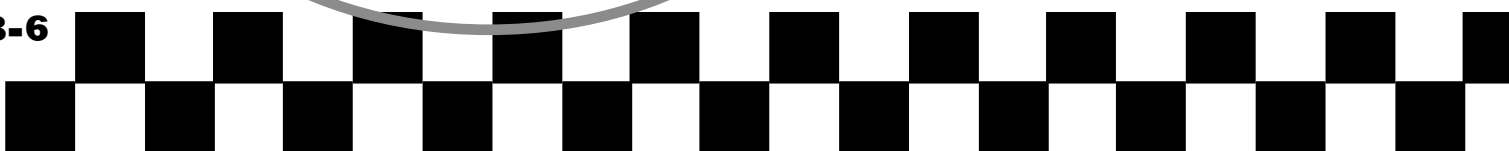
Fije EL SOPORTE ADELANTE Y ATRÁS de la PATA IZQUIERDA y DERECHA DE ENSAMBLAJE usando ocho (8) PERNOS HEXAGONALES  $\frac{1}{4}$ -20 x  $\frac{1}{2}$ ".



**PARTES USADAS EN ESTE PASO:**

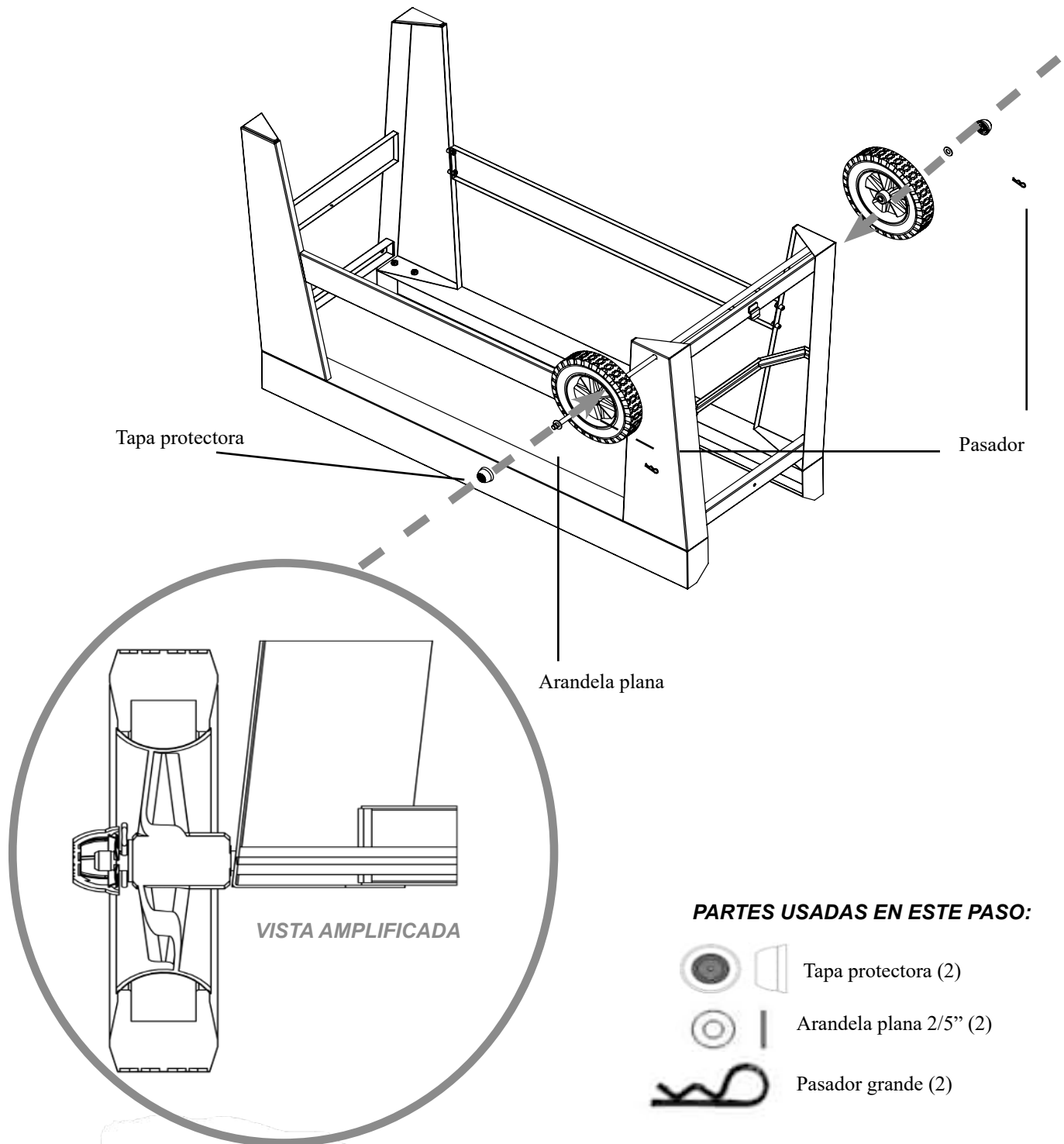


Perno Hexagonal  $\frac{1}{2}$  (8)



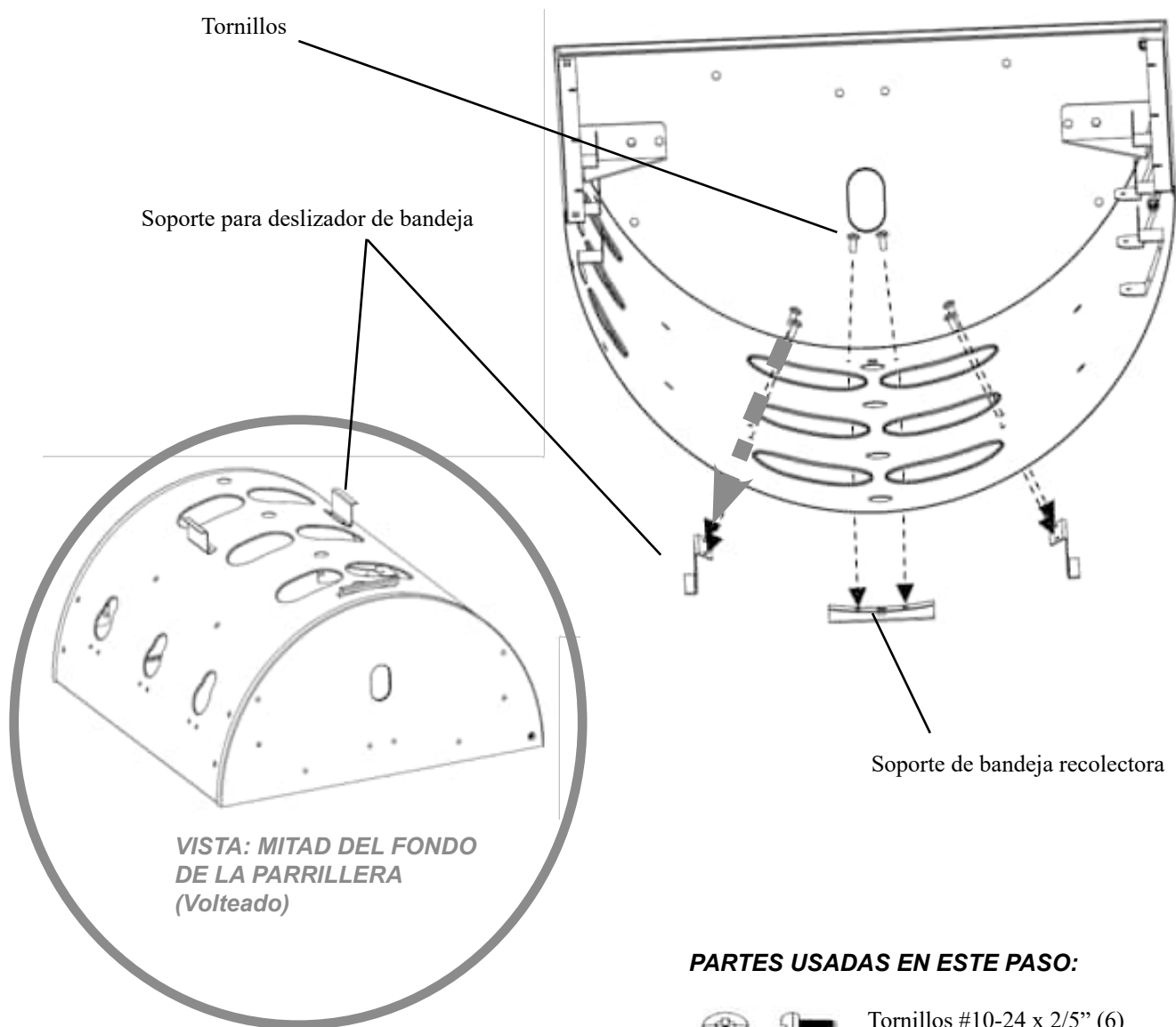
### Paso 3

Instale una (1) ARANDELA PLANA, un (1) PASADOR, y una (1) TAPA PROTECTORA sobre el EJE, luego deslice el EJE a través de las RUEDAS y la PATA POSTERIOR DE ENSAMBLAJE, como se muestra abajo. Termine fijando una segunda ARANDELA, PASADOR Y TAPA PROTECTORA.



**Paso 4**

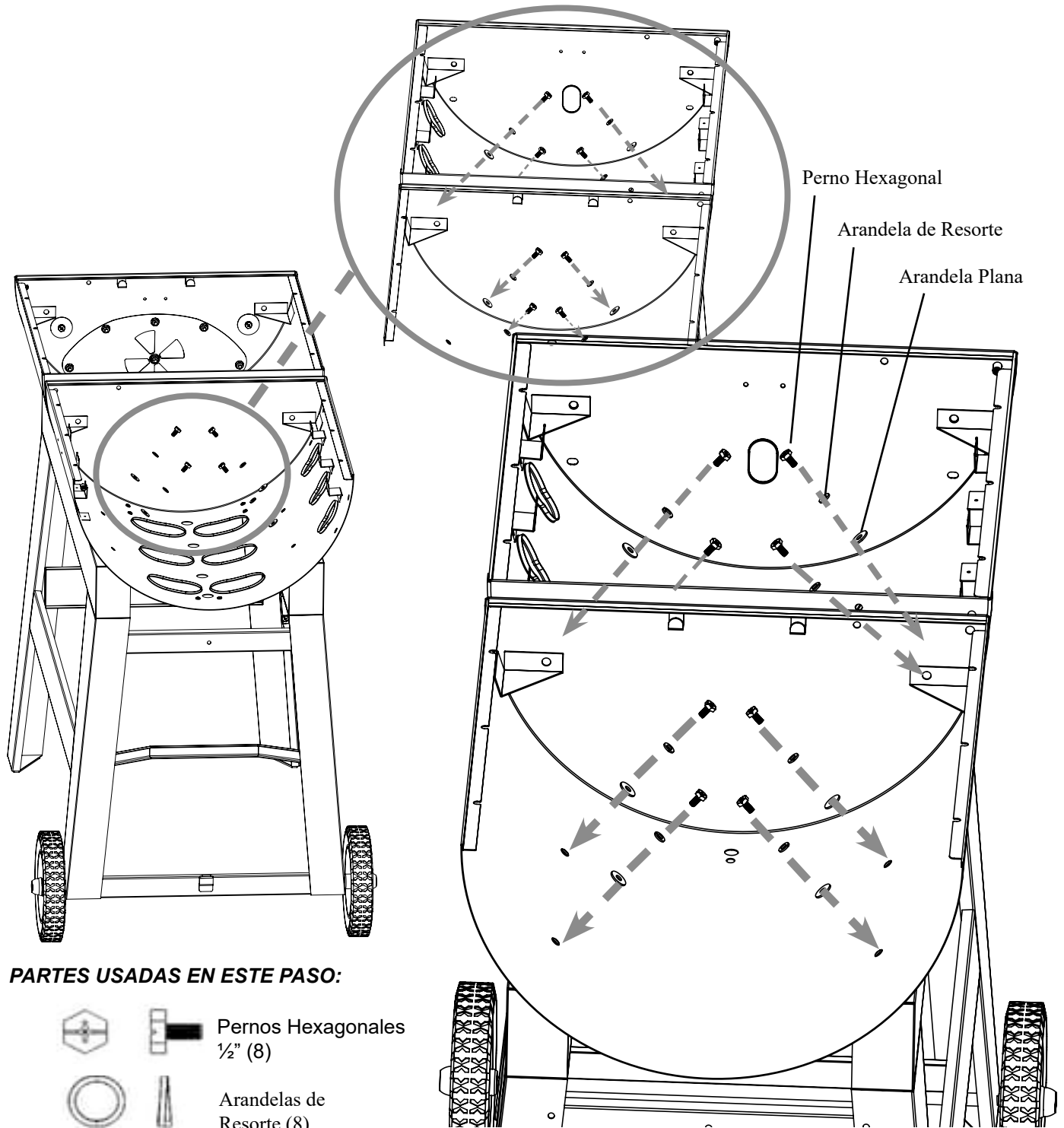
Fije los SOPORTES PARA DESLIZADOR DE BANDEJA RECOLECTORA y el SOPORTE DE TAPÓN PARA BANDEJA RECOLECTORA al MITAD DEL FONDO DE LA PARRILLERA A GAS usando seis (6) TORNILLOS #10-24 x 2/5”.











**Paso 5**

Fije LOS CUERPOS DE LA PARRILLERA al CARRITO usando ocho (8) PERNOS HEXAGONALES  $\frac{1}{4}$ -20 x  $\frac{1}{2}$ " , ocho (8) ARANDELAS DE RESORTE  $\frac{1}{4}$ " , y ocho (8) ARANDELAS PLANAS  $\frac{1}{4}$ " .

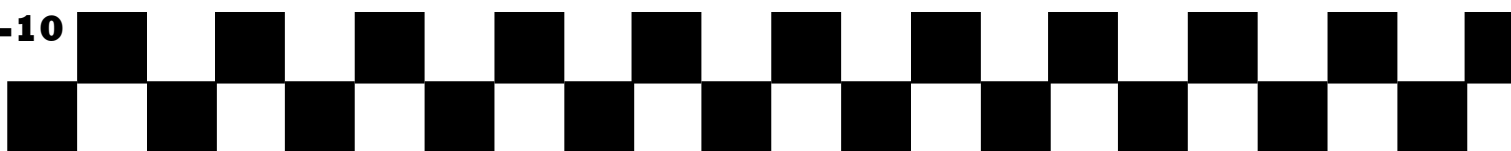
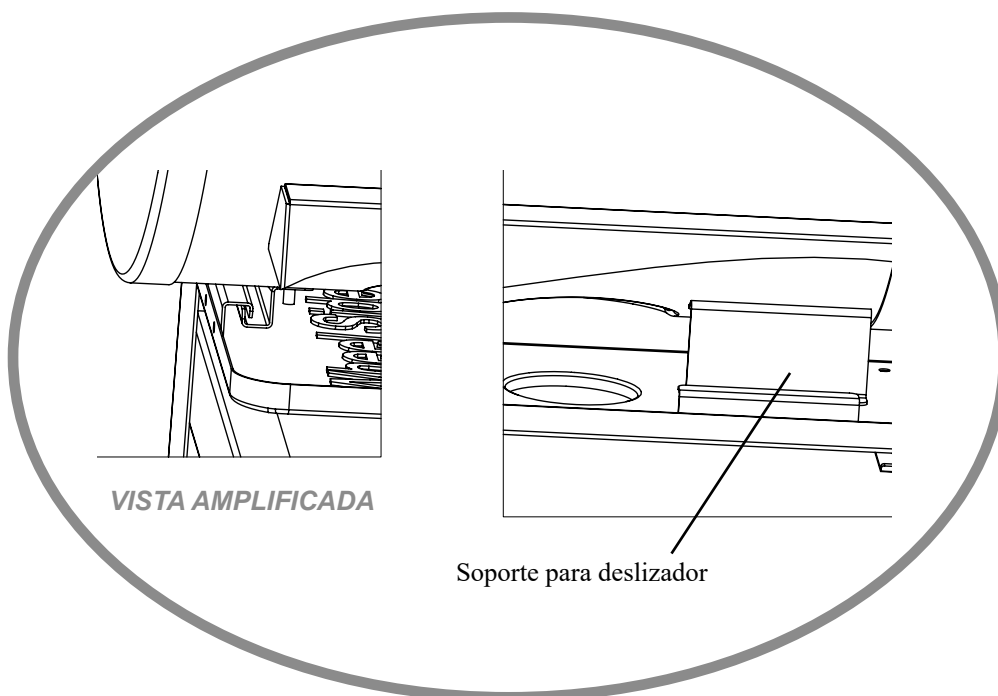
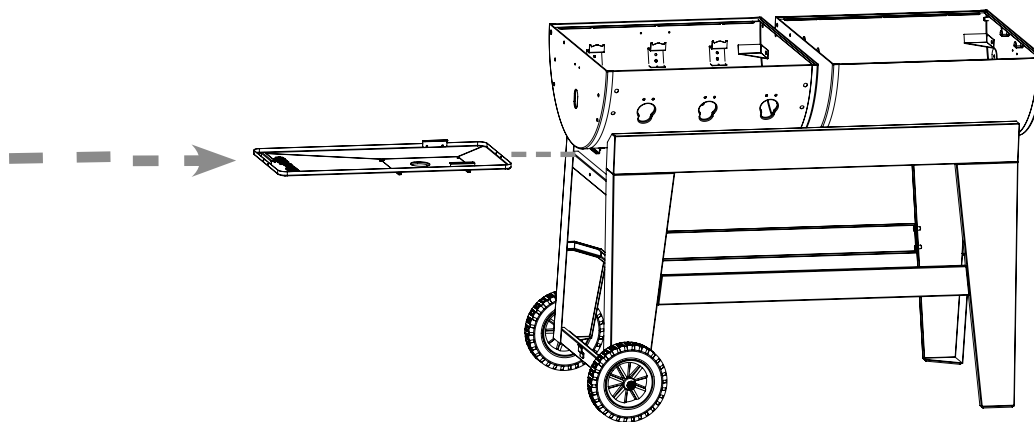


**PARTES USADAS EN ESTE PASO:**

- |   |   |   |
|---|---|---|
|  |  | Pernos Hexagonales<br>$\frac{1}{2}$ " (8) |
|  |  | Arandelas de<br>Resorte (8)               |
|  |  | Arandelas Planas $\frac{1}{4}$ " (8)      |

**Paso 6**

Inserte la BANDEJA DE RECOLECCIÓN REMOVIBLE debajo del CUERPO DE LA PARRILLERA a través de los SOPORTES PARA DESLIZADOR DE LA BANDEJA RECOLECTORA, Como se muestra abajo.



**Paso 7**

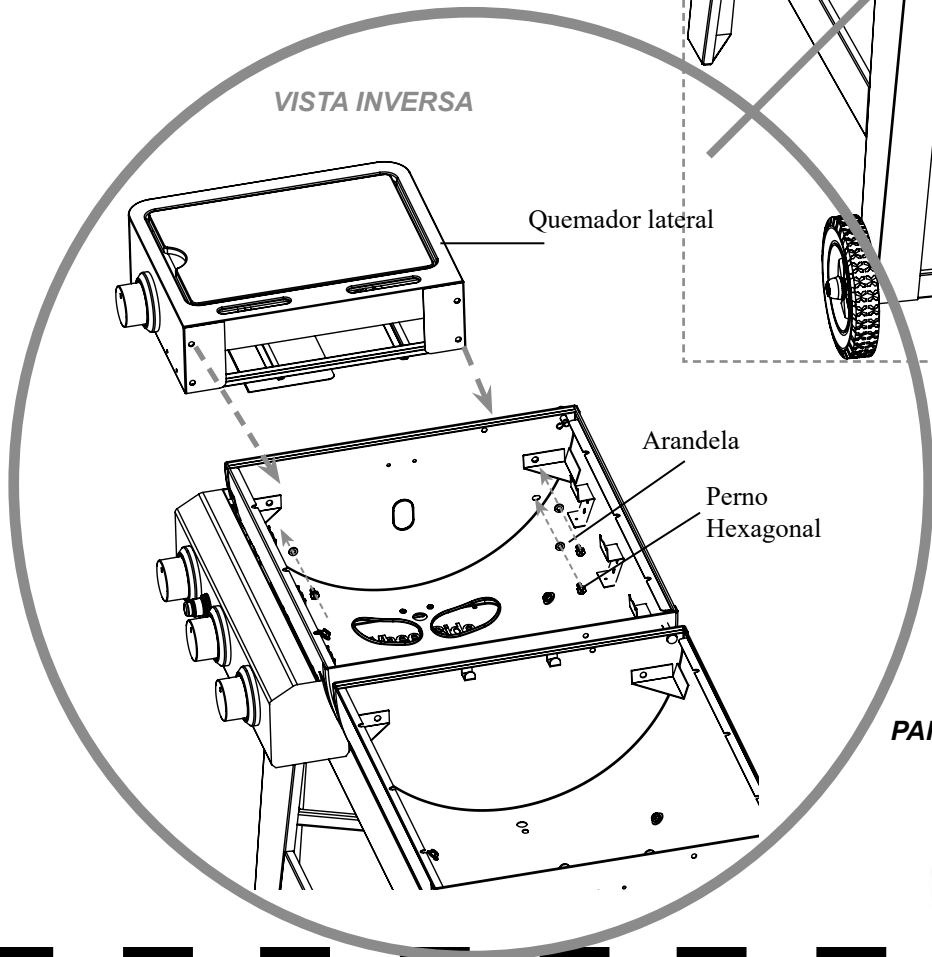
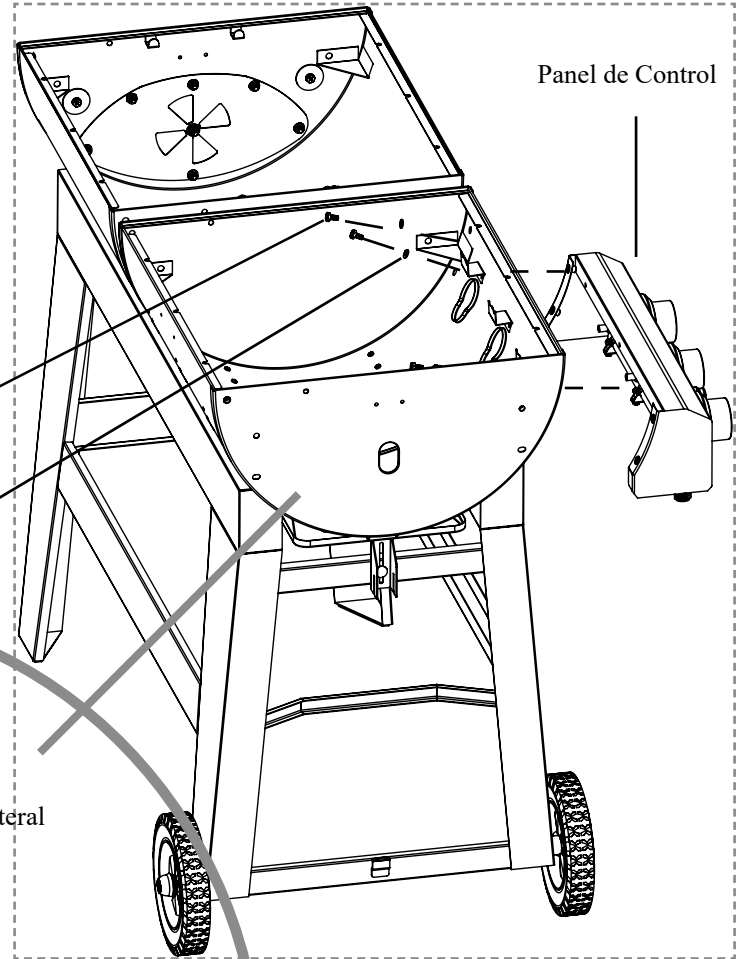
Fije el **TABLERO DE CONTROL** a la parte frontal de la **SECCIÓN A GAS DE LA PARRILLERA**, y el **QUEMADOR LATERAL** al lado de la **SECCIÓN A GAS DE LA PARRILLERA**, usando ocho (8) **PERNOS HEXAGONALES 1/4-20 x 1/2"** y ocho (8) **ARANDELAS DE RESORTE 1/4"**.

**NOTA:**



Las **cabezas** de los **PERNOS HEXAGONALES** deben estar viendo la parte **interna** de la parrillera después de que el **TABLERO DE CONTROL** y **QUEMADOR LATERAL** hayan sido exitosamente fijados.

Atornille cuatro (4) **PERNOS HEXAGONALES** y cuatro (4) **ARANDELAS DE RESORTE** del lado del **QUEMADOR LATERAL**.

Atornille cuatro (4) **PERNOS HEXAGONALES** y cuatro (4) **ARANDELAS DE RESORTE** en el **TABLERO DE CONTROL**.

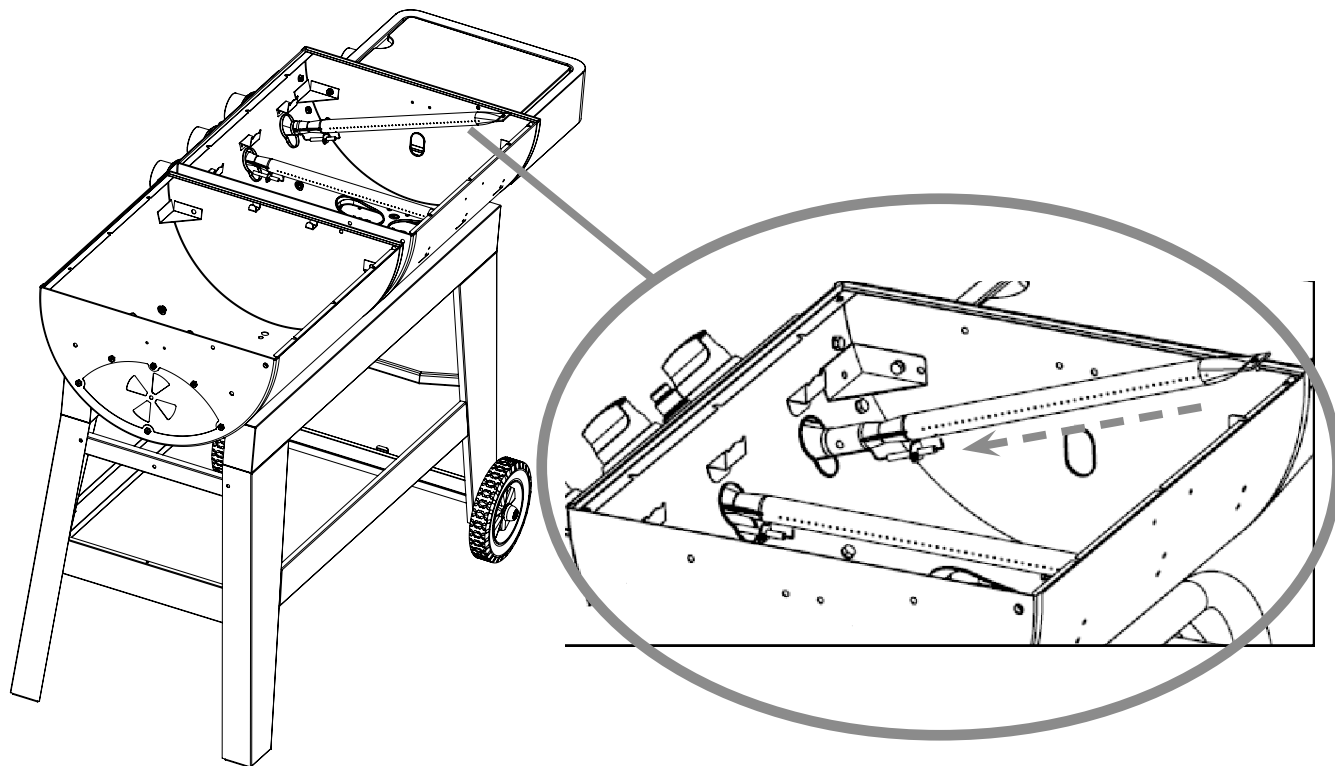


**PARTES USADAS EN ESTE PASO:**

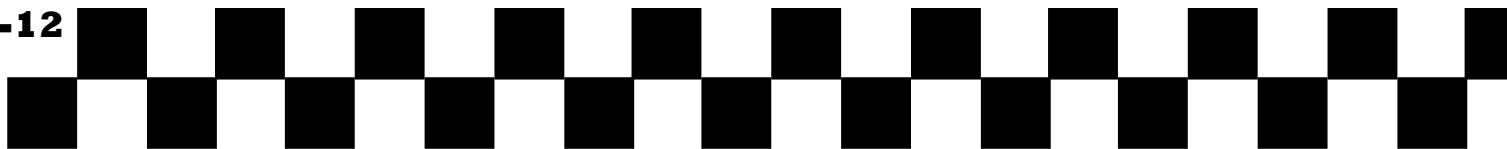
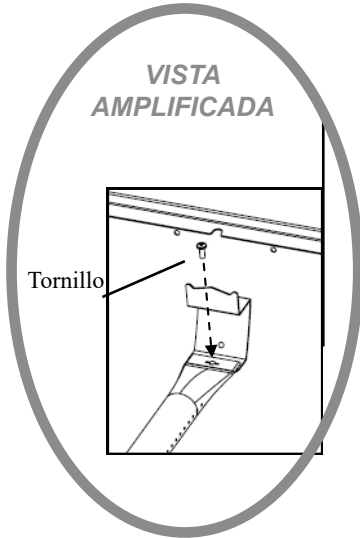
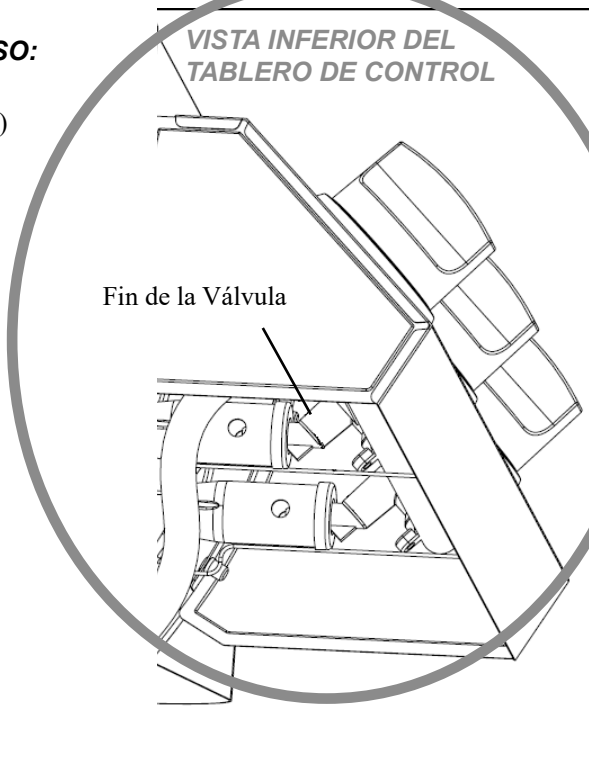
-  Pernos Hexagonales 1/2" (8)
-  Arandelas de Resorte (8)

**Paso 8**

Instale los QUEMADORES en la SECCIÓN A GAS DE LA PARRILLERA, deslizando el quemador hasta el final de la válvula y sujete usando tres (3) TORNILLOS DE QUEMADORES, como se muestra abajo. El QUEMADOR que tiene el cable más largo va del lado derecho del CUERPO DE LA PARRILLA

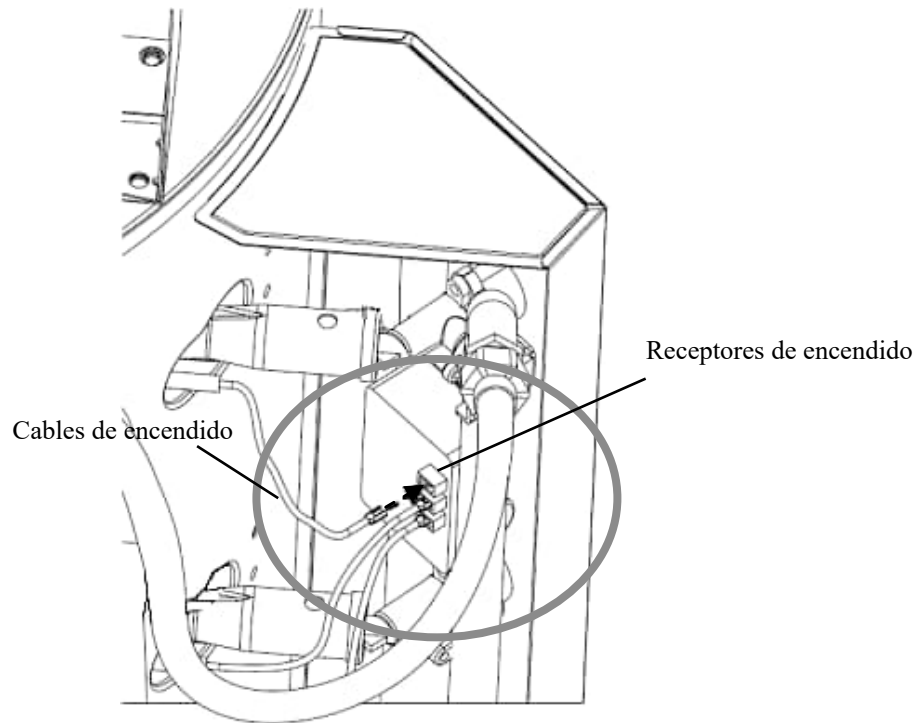


**PARTES USADAS EN ESTE PASO:**



### Paso 9

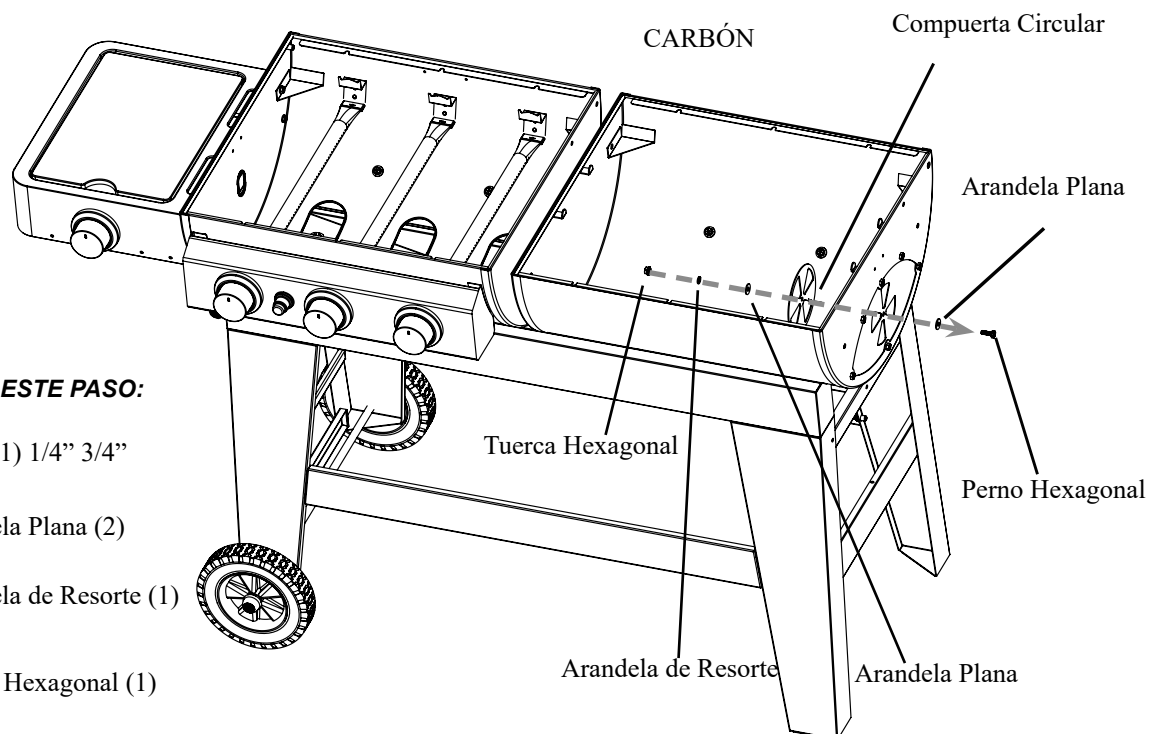
Conecte los CABLES DE ENCENDIDO a los RECEPTORES DE ENCENDIDO.







### Paso 10

Fije la COMPUERTA CIRCULAR a la parte interna de la SECCIÓN A CARBÓN DE LA PARRILLERA usando un (1) PERNO HEXAGONAL  $\frac{1}{4}$ -20 x  $\frac{3}{4}$ ", dos (2) ARANDELAS PLANAS  $\frac{1}{4}$ ", una (1) ARANDELA DE RESORTE  $\frac{1}{4}$ ", y una (1) TUERCA HEXAGONAL  $\frac{1}{4}$ -20. Como se muestra abajo.

GAS

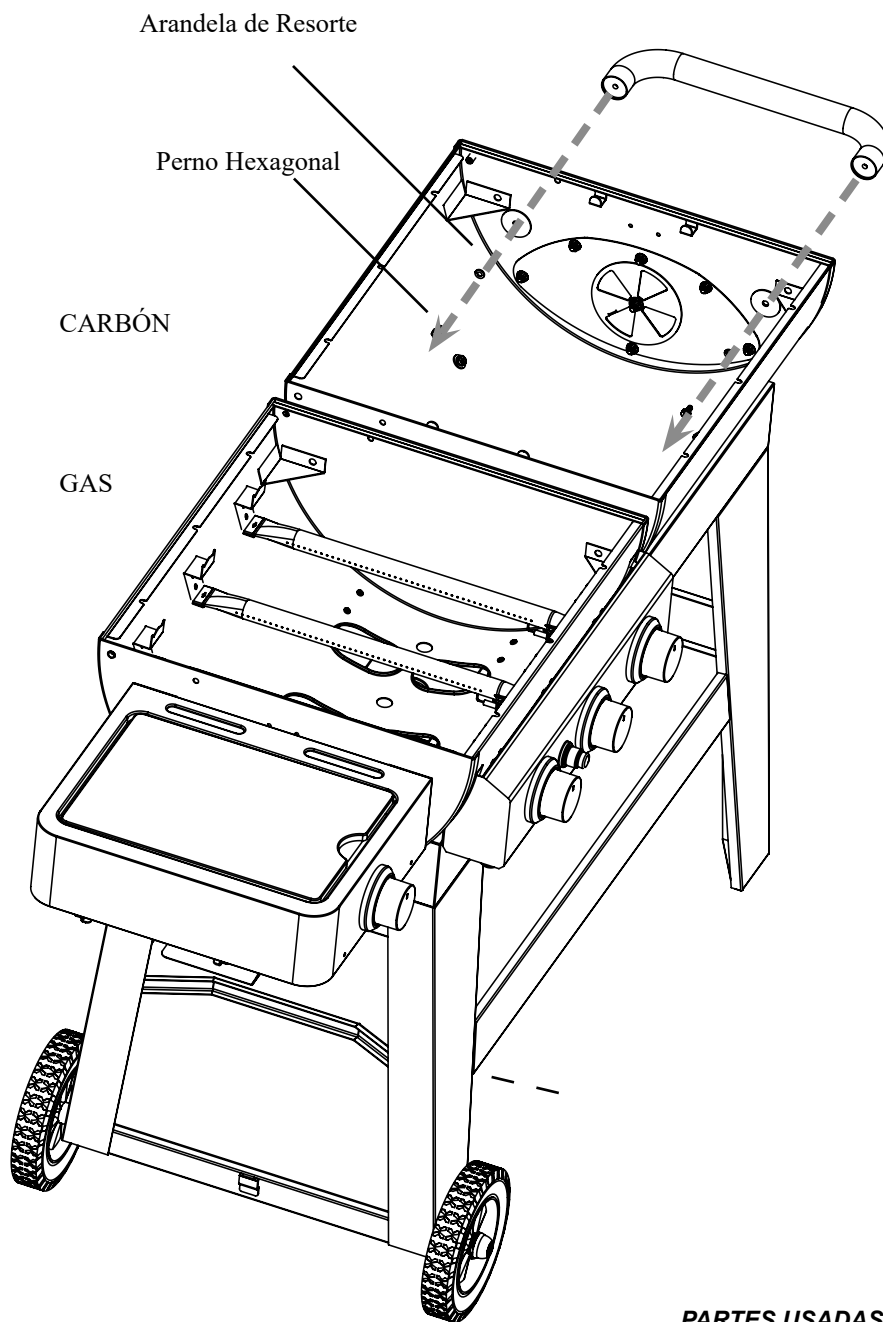


#### PARTES USADAS EN ESTE PASO:





-  Perno (1)  $\frac{1}{4}$ " x  $\frac{3}{4}$ "
-  Arandela Plana (2)
-  Arandela de Resorte (1)
-  Tuerca Hexagonal (1)

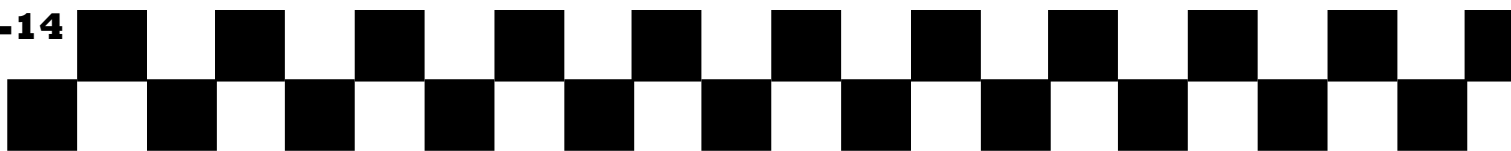
### Paso 11

Fije la MANILLA LATERAL a un lado de la SECCIÓN A CARBÓN DE LA PARRILLERA usando dos (2) PERNOS HEXAGONALES  $\frac{1}{4}$ -20 x  $\frac{1}{2}$ " y dos (2) ARANDELAS DE RESORTE  $\frac{1}{4}$ ".



#### PARTES USADAS EN ESTE PASO:

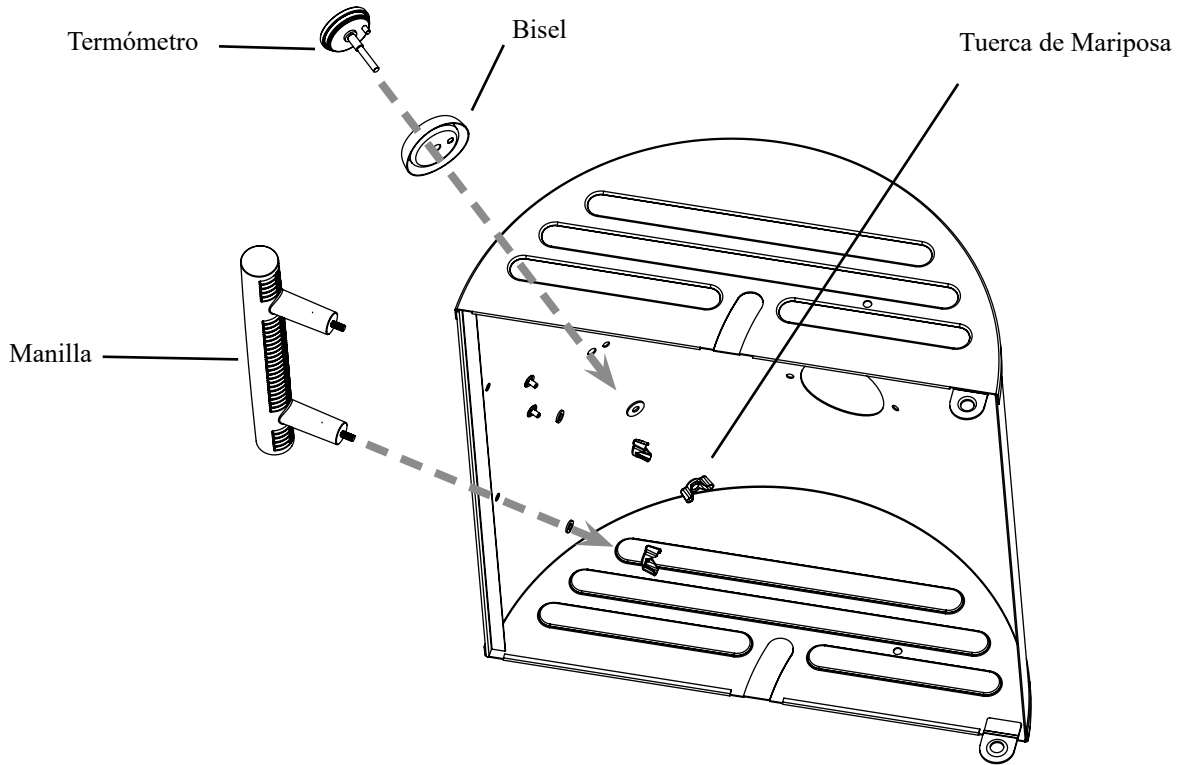
-   Perno Hexagonal  $\frac{1}{2}$ " (2)
-   Arandela de Resorte (2)



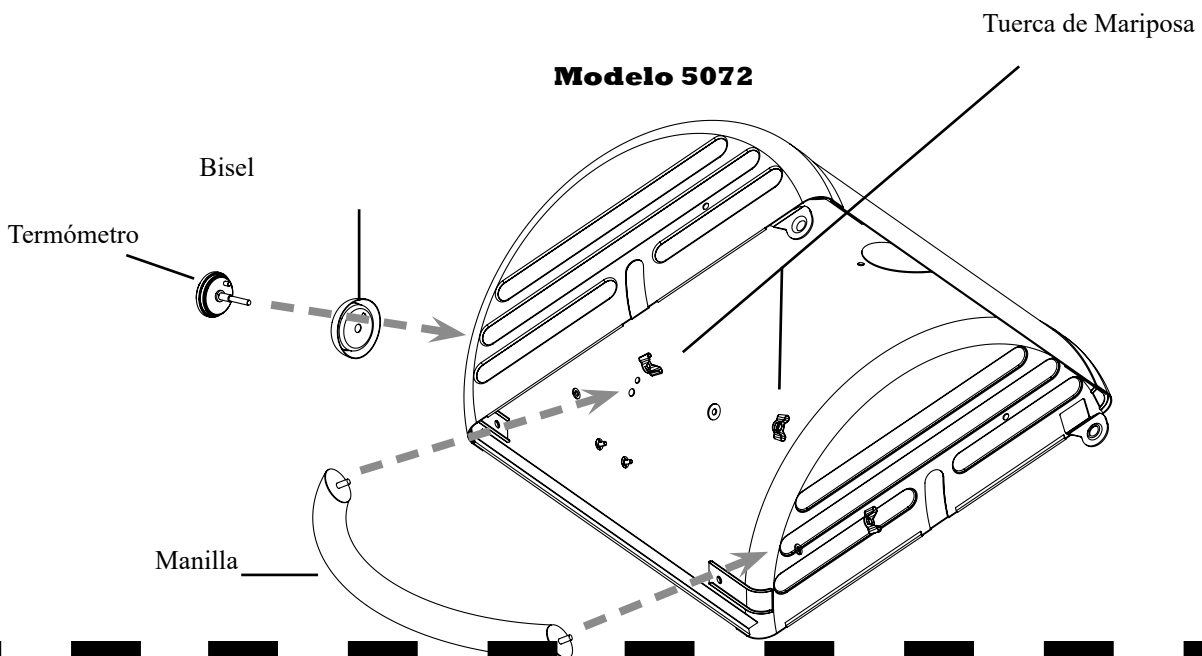
**Paso 12**

Fije la MANILLA a la CAMPANA DE LA SECCIÓN A GAS y a la otra a la CAMPANA DE LA SECCIÓN A CARBÓN con dos (2) ARANDELAS DE RESORTE y dos (2) TUERCAS DE MARIPOSA por cada manilla. Luego, fije el TERMÓMETRO y el BISEL a cada CAMPANA. El TERMÓMETRO se inserta a través del BISEL y luego a través de la CAMPANA. Asegúrelo con una TUERCA DE MARIPOSA.

**Modelo 5650**





**Modelo 5072**

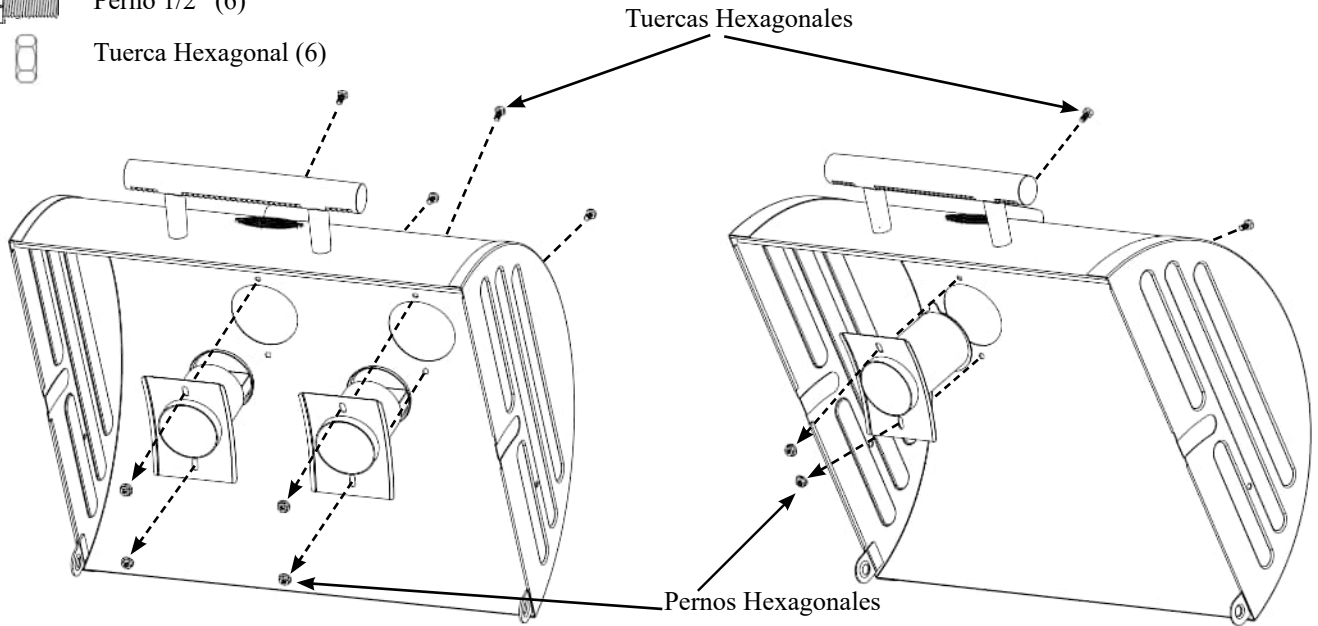


**Paso 13**

Fije dos (2) CHIMENEAS PARA GAS a la CAMPANA DE LA SECCIÓN A GAS, y una (1) CHIMENEA PARA CARBÓN a la CAMPANA DE LA SECCIÓN A CARBÓN usando seis (6) PERNOS HEXAGONALES  $\frac{1}{4}$ -20 x  $\frac{1}{2}$ " y seis (6) TUERCAS HEXAGONALES  $\frac{1}{4}$ "-20.

**PARTES USADAS EN ESTE PASO:**

-  Perno  $\frac{1}{2}$ " (6)
-  Tuerca Hexagonal (6)

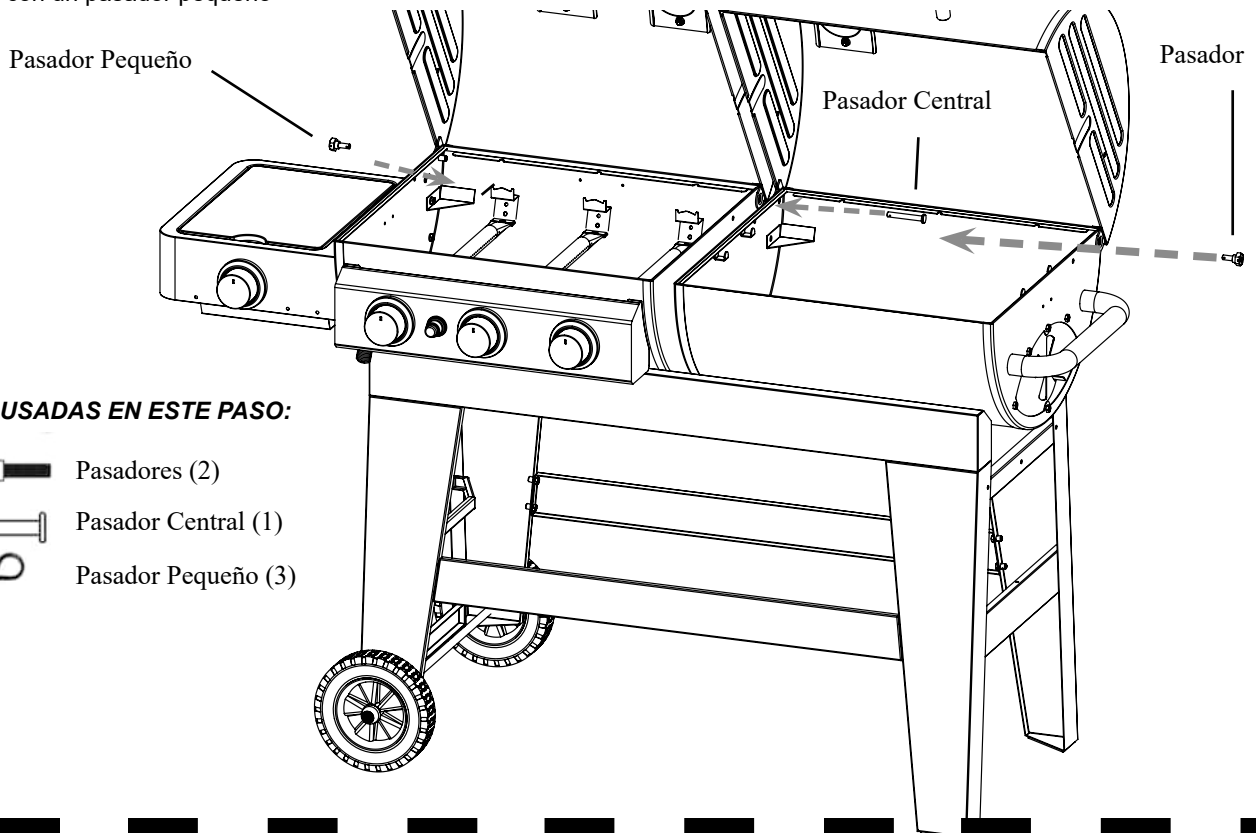


**Paso 14**



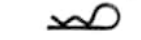
Fije las CAMPANAS a las SECCIONES DE LA PARRILLERA usando dos (2) PASADORES, tres (3) PASADORES PEQUEÑOS, y un (1) PASADOR CENTRAL.

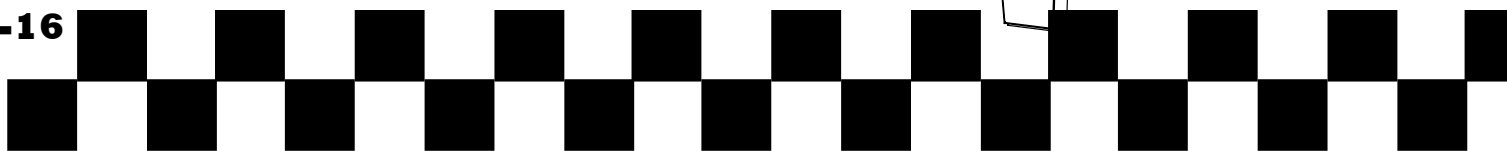
CONSEJO: Primero monte la campana de la sección de carbón, insertando el pasador central desde la derecha. Luego, coloque la campana de la sección de gas y deslice el pasador central a través de ambas campanas.

Asegure con un pasador pequeño



**PARTES USADAS EN ESTE PASO:**

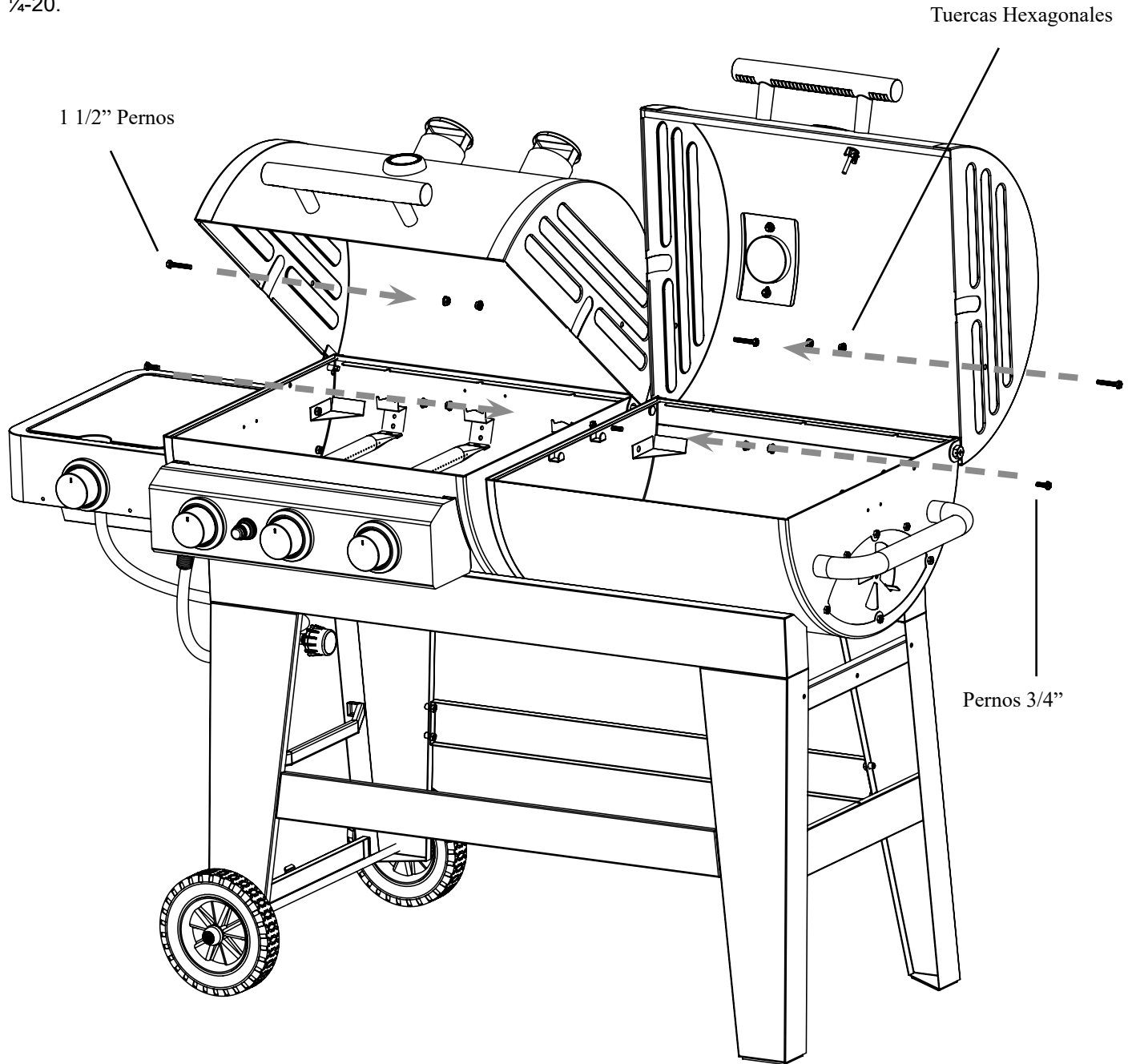
-  Pasadores (2)
-  Pasador Central (1)
-  Pasador Pequeño (3)











**Paso 15**

Fije las REJILLAS DE CALENTAMIENTO a la parte interna de las CAMPANAS usando cuatro (4) PERNOS HEXAGONALES 1/4-20 x 1 1/2", cuatro (4) PERNOS HEXAGONALES 1/4-20 x 3/4", y doce (12) TUERCAS HEXAGONALES 1/4-20.

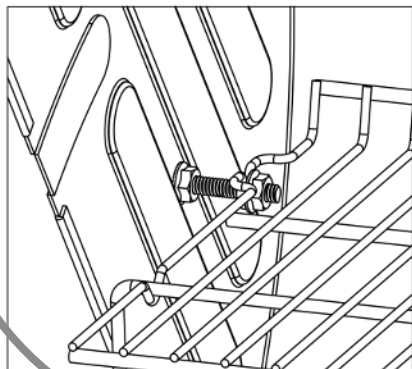


**PARTES USADAS EN ESTE PASO:**

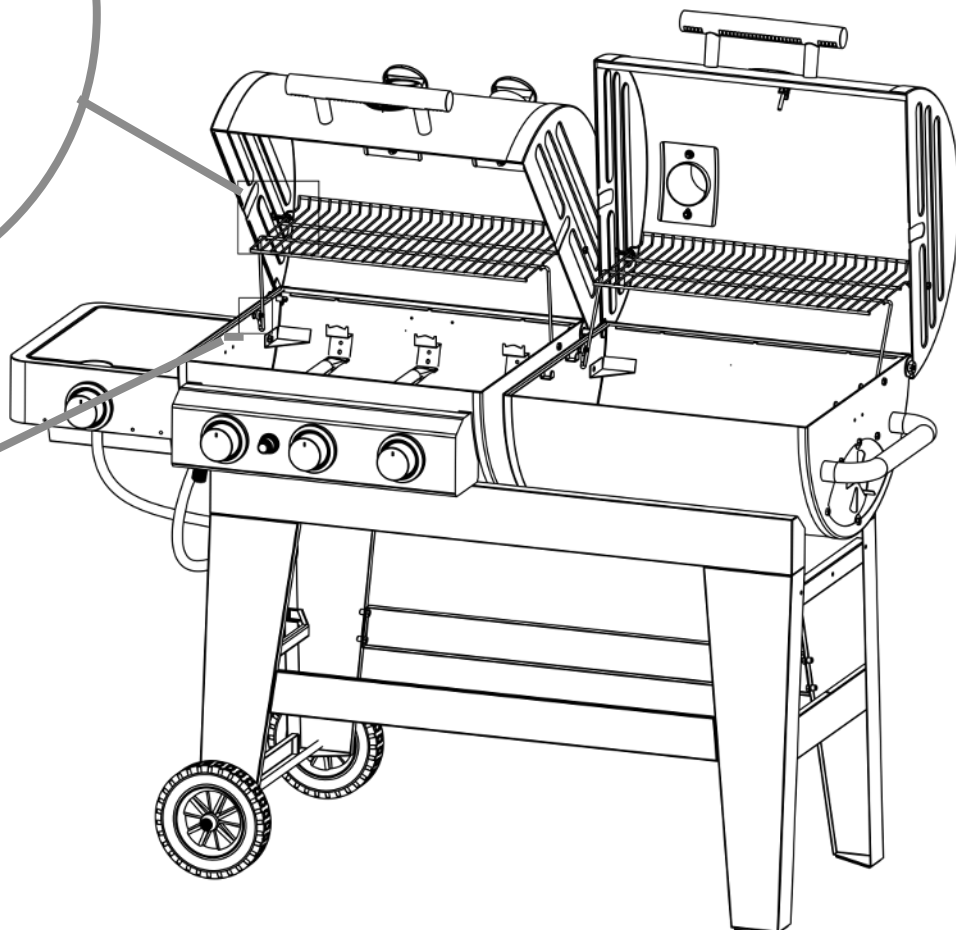
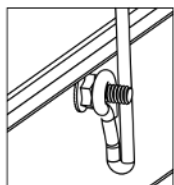
-   Pernos Hexagonales 1 1/2" (4)
-   Pernos Hexagonales 3/4" (4)
-   Tuercas Hexagonales (12)

**Paso 15 Continuación**

VISTA  
AMPLIFICADA

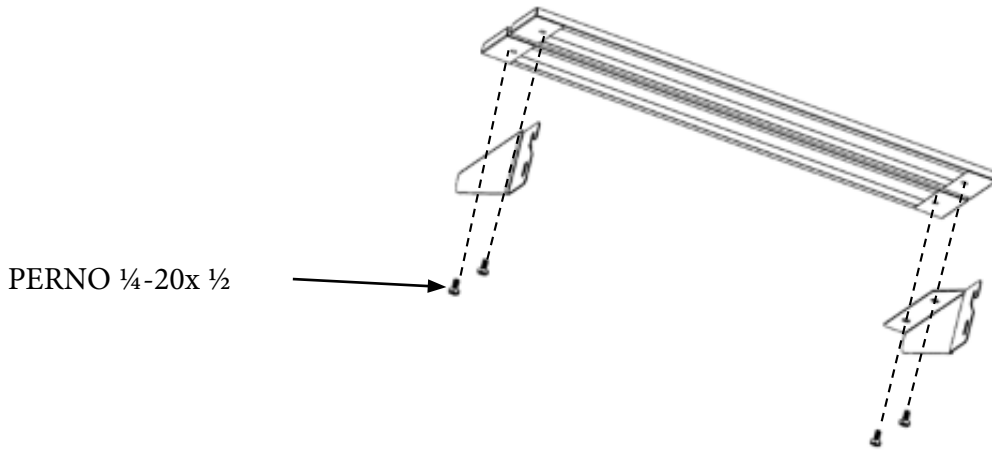


VISTA  
AMPLIFICADA

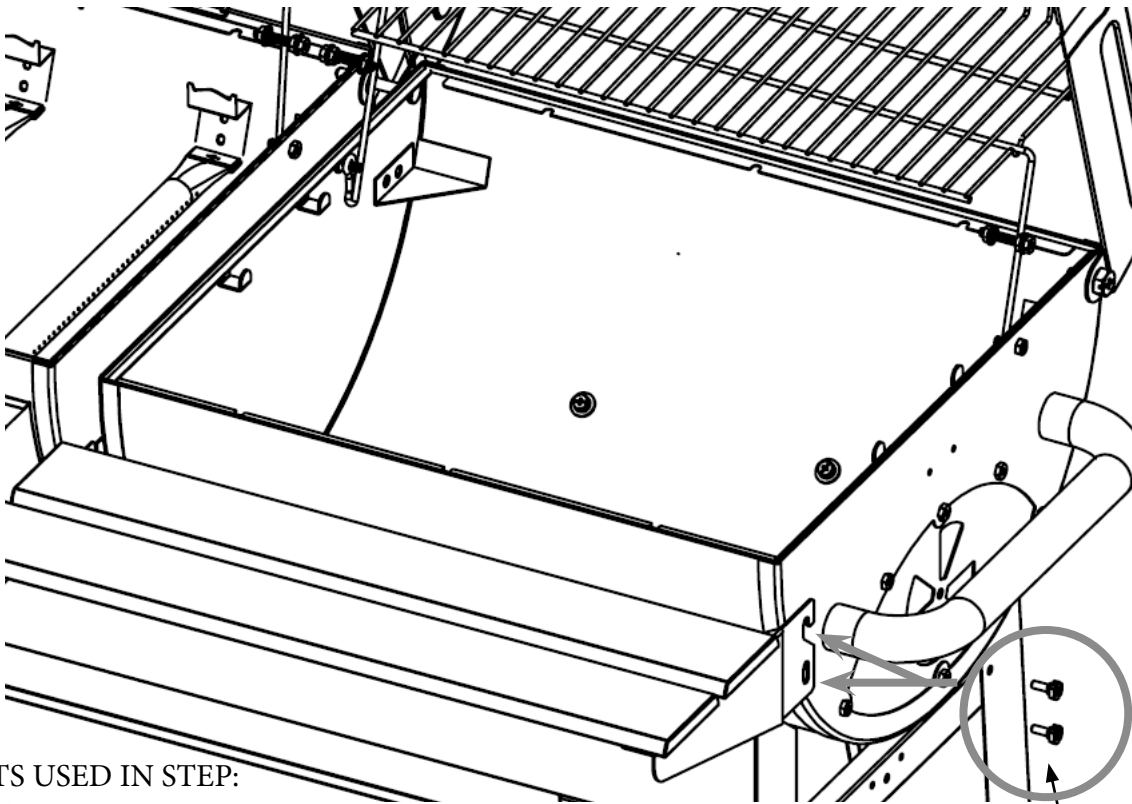


## Paso 16




Montar la gaveta delantera juntos. A continuación, conecte el conjunto de la gaveta delantera al cuerpo Parrilla de carbón.



PERNO ¼-20x ½



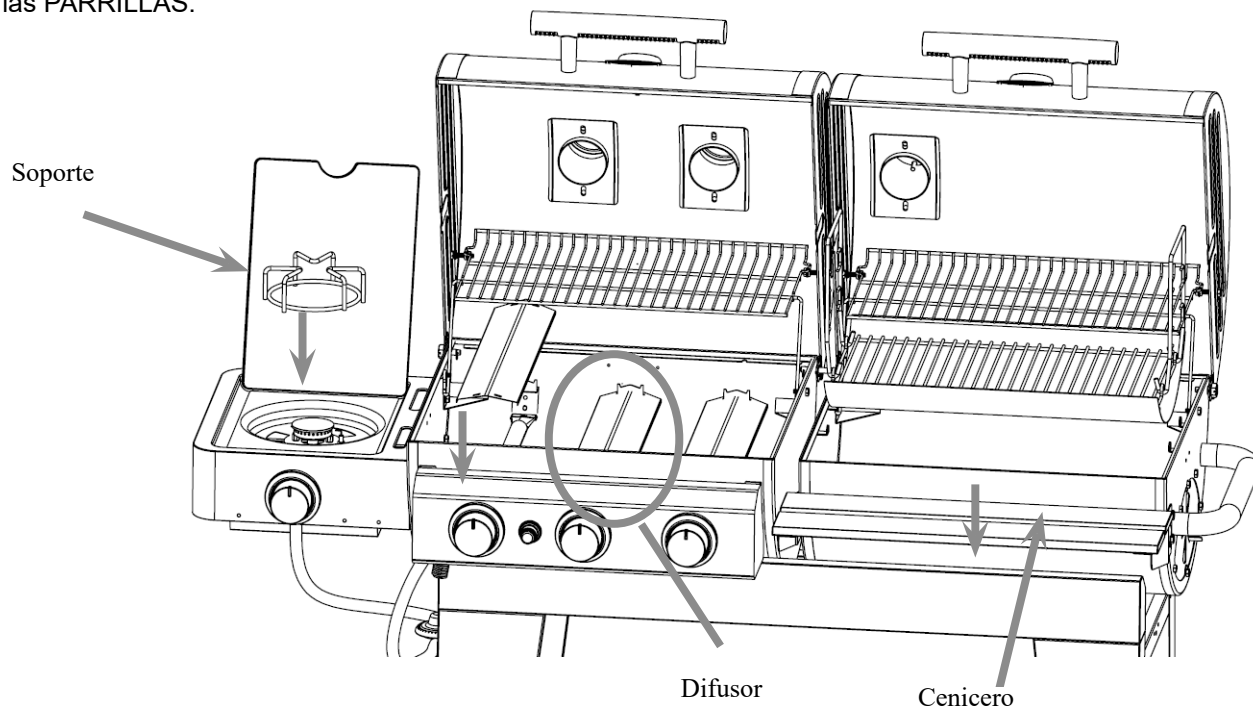
PARTS USED IN STEP:

-  PERNO DE HOMBRO (4)
-  TUERCA HEXAGONAL ¼-20 (4)
-  PERNO ¼-20x ½ (4)

PERNO DE HOMBRO

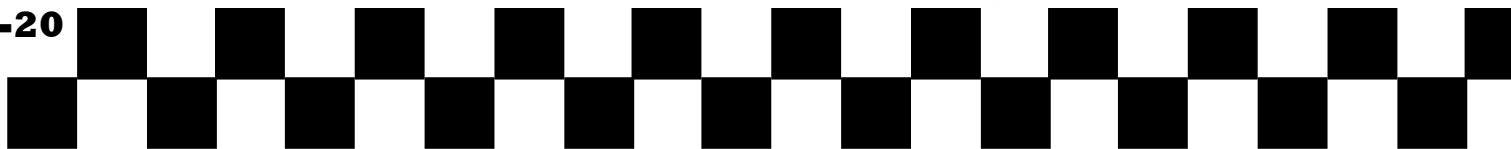
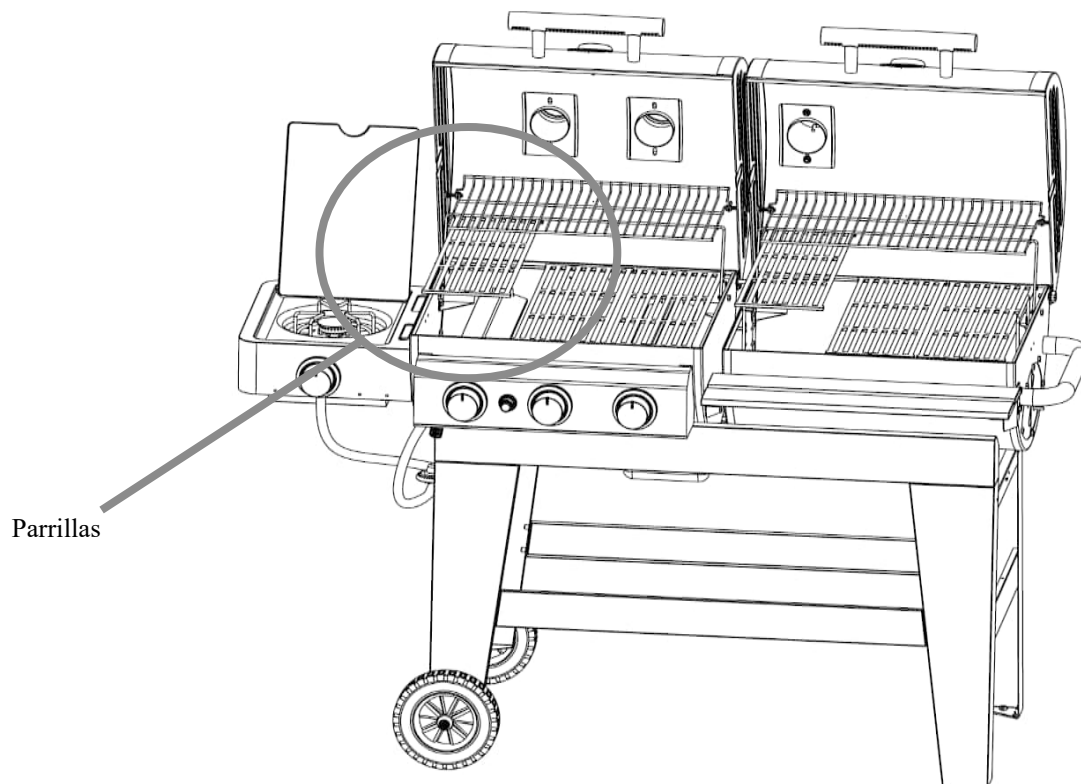
**Paso 17**

Fije el SOPORTE DE OLLA a la SECCIÓN DEL QUEMADOR LATERAL, fije el DIFUSOR DE CALOR sobre el QUEMADOR LATERAL, y coloque el CENICERO en la SECCIÓN A CARBÓN DE LA PARRILLERA y luego coloque las PARRILLAS.



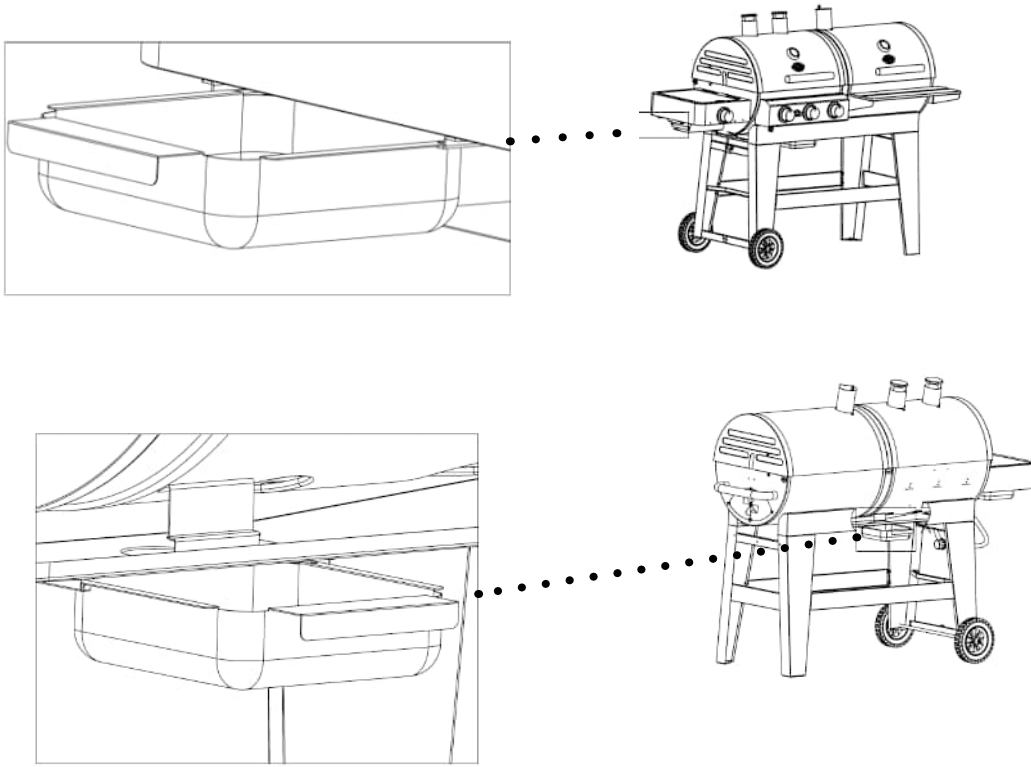
**Paso 18**

Coloque las PARRILLAS en la PARRILLERA.



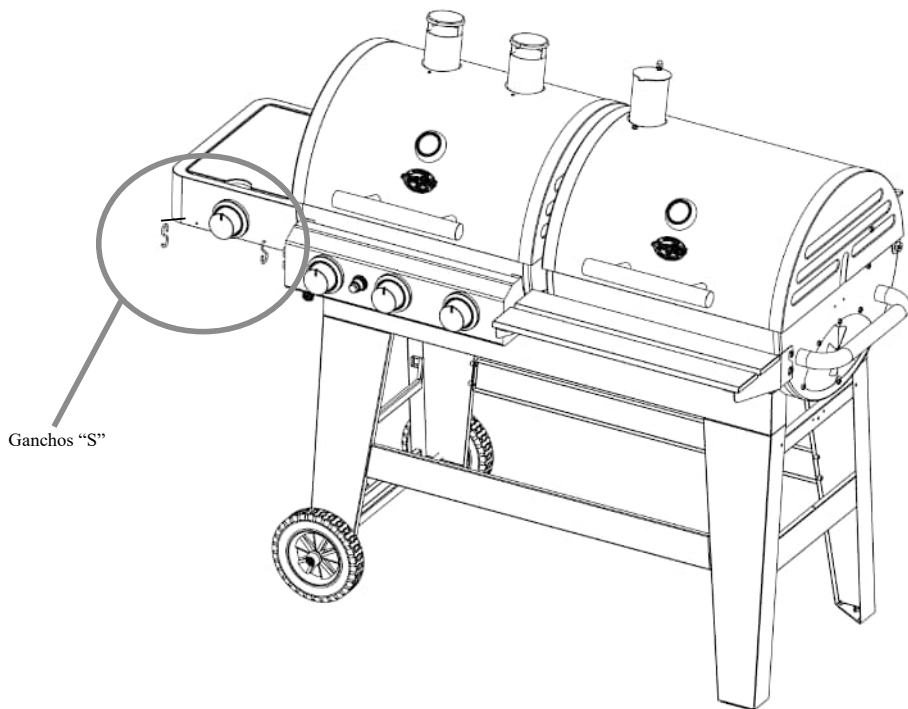
**Paso 19**

Deslice una (1) BANDEJA PARA GRASA en su lugar sobre los rieles guía que están debajo del QUEMADOR LATERAL y otra BANDEJA PARA GRASA debajo de la BANDEJA RECOLECTORA



**Paso 20**


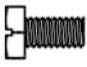




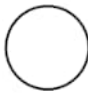

Fije los GANCHOS PARA UTENSILIOS al QUEMADOR LATERAL Usando (3) GANCHOS "S".

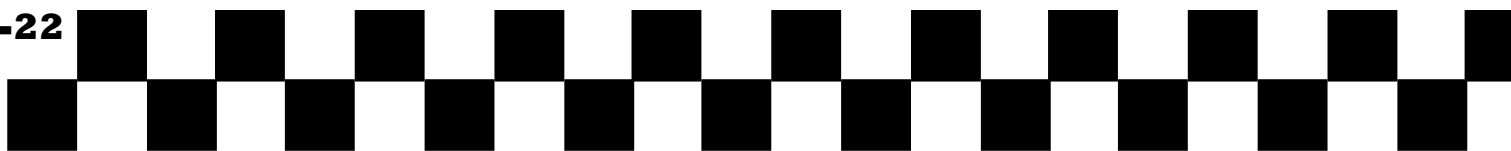
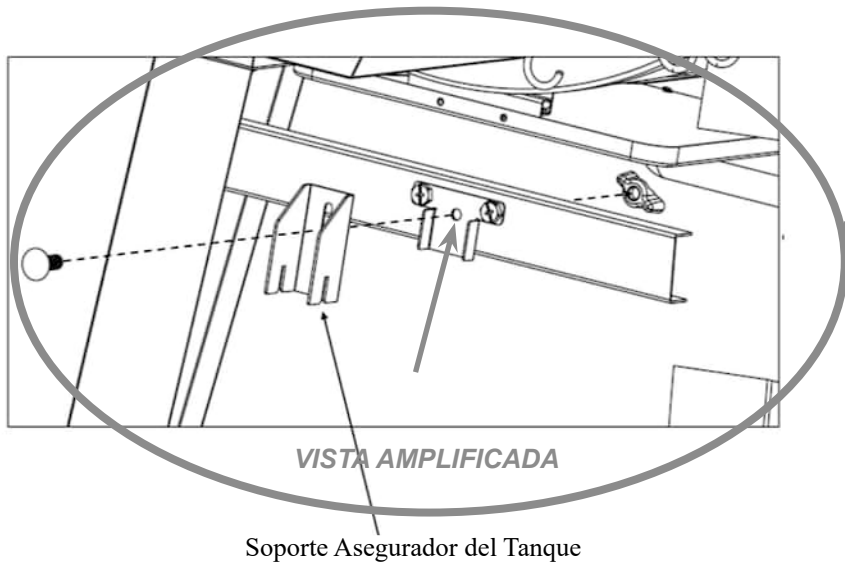
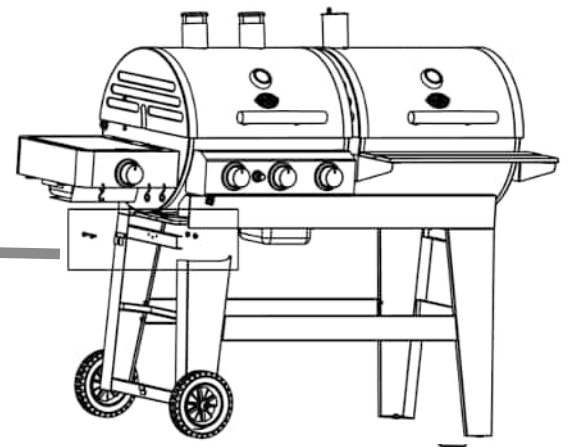
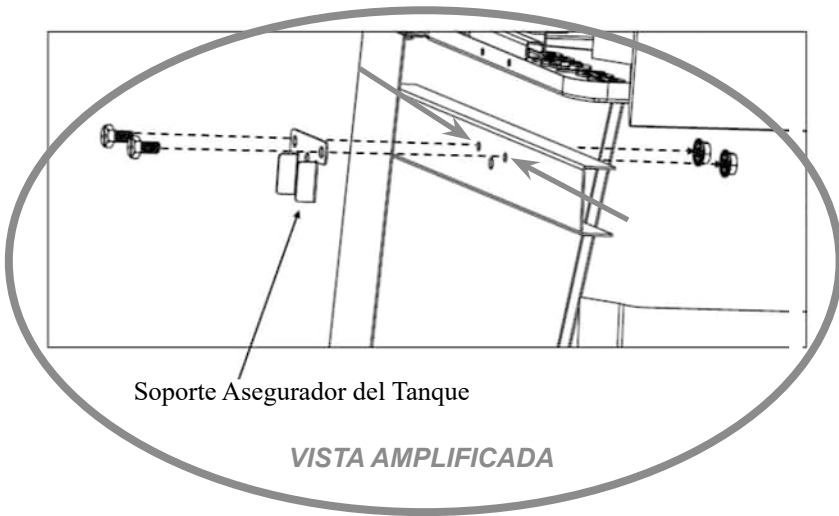


**Paso 21**

Fije el SOPORTE DEL TANQUE al frente de la SECCIÓN A GAS.

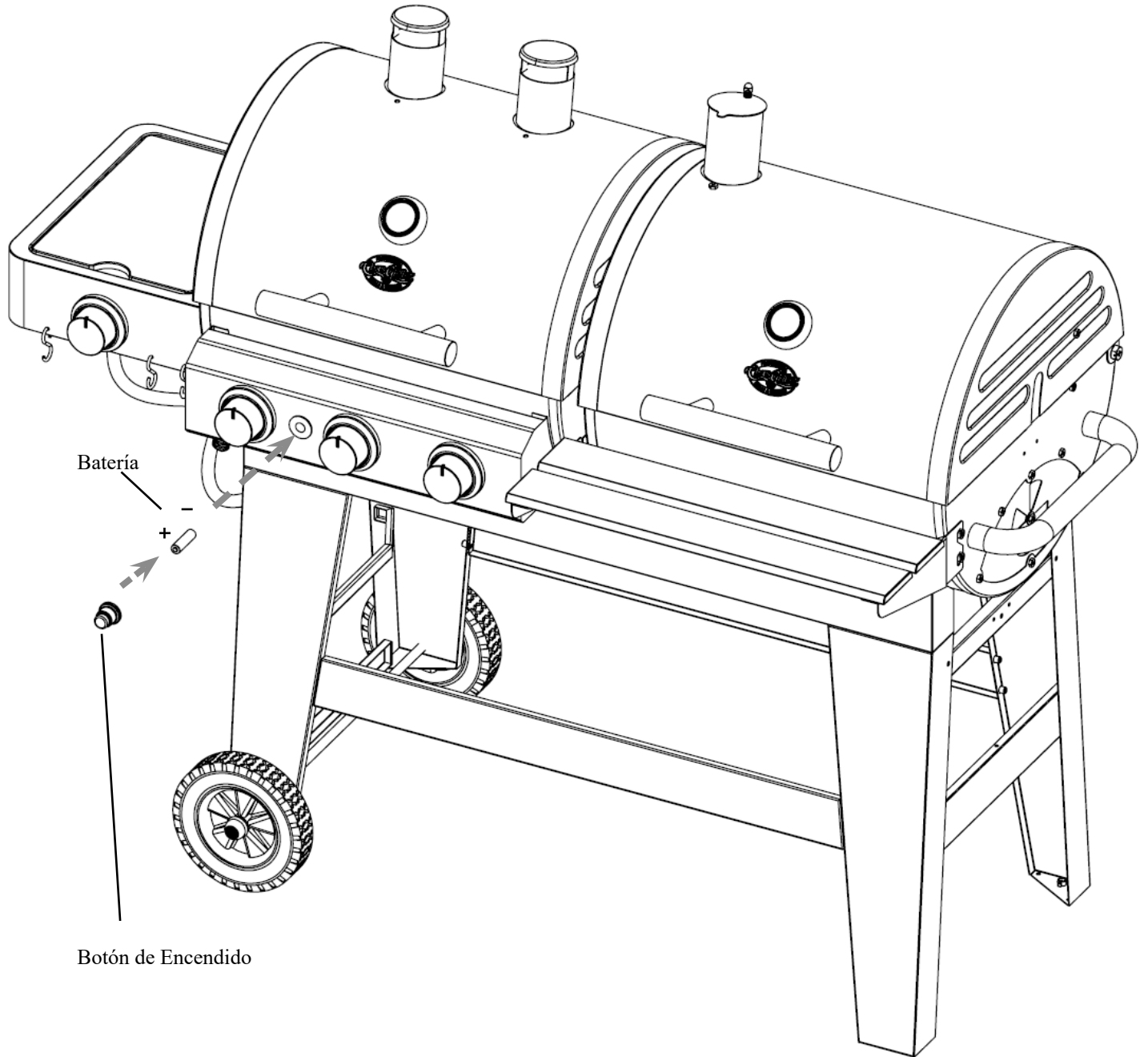
**PARTS USED IN STEP:**

- 

PERNO ¼-20x 1 ½ (2)
- 

TUERCA HEXAGONAL ¼-20 (2)
- 

TUERCA DE MARIPOSA (1)
- 

PERNO DE PORTE (1)



**Paso 22**

Desatornille el BOTÓN DE ENCENDIDO e inserte una (1) batería "AA", con el polo negativo primero. Luego atornille de nuevo el BOTÓN DE ENCENDIDO.





## Totalmente Ensamblada



**Advertencia: ¡Use solamente el regulador suministrado!**

Si es necesario reemplazarlo, Por favor llame a nuestro departamento de atención al cliente, 912- 638-4724.

NO USE repuestos que no están diseñados para esta parrillera.

**Consejo:** La calcomanía que está pegada en la campana se remueve más fácilmente cuando la campana está caliente. Cualquier residuo de pega puede ser removido con un aerosol lubricante como WD-40 . NO USE ningún otro tipo de solvente o limpiador ya que esto dañará el acabado/pintura/cubierta de la parrillera.



# INSTRUCCIONES OPERATIVAS

## Instalación del Equipo

Coloque la parrillera en una superficie plana y sólida, resguardada del viento. Mantenga la parrillera alejada de la pared más próxima por al menos 1 ½ pies. Proteja al cilindro de GLP de la luz directa del sol y manténgalo alejado de fuentes de calor (máx. 122°F o 55°C). No mueva la parrillera mientras esté caliente y no la deje sin supervisión durante su operación.

Coloque el cilindro de gas cerca del equipo de manera que la manguera no se doble, tuerza, sea sometida a tensión o entre en contacto con cualquier parte caliente del equipo. NO coloque el cilindro de gas directamente debajo de los quemadores.

## Regulador y Manguera

Estos artículos se suministrados con el equipo, pero los repuestos estarán disponibles en su tienda de equipos o en un proveedor autorizado de gas licuado de petróleo (Gas LP o GLP). Use sólo los reguladores y mangueras aprobados para Gas LP para las presiones indicadas arriba. Se estima que la vida útil del regulador sea de 10 años. Se recomienda que el regulador sea cambiado en un plazo menor a los 10 años de su fabricación.

El uso de un regulador o manguera inadecuado es peligroso e inseguro; siempre revise que tenga las partes correctas antes de operar el equipo.

La manguera utilizada debe regirse bajo las normas establecidas en el país donde sea utilizado. Las mangueras desgastadas o dañadas deberán ser reemplazadas. Asegúrese que la manguera no se encuentre obstruida, enroscada o entre en contacto con cualquier parte de la parrillera distinta a su conexión.

## Conectar la Manguera al Equipo (Parrillera)

Antes de conectar el equipo, asegúrese que no haya residuos almacenados en la cabeza del cilindro a gas, regulador, quemador ni en los puertos del quemador. Las arañas e insectos pueden anidar este espacio y obstruir el tubo del quemador/Venturi en el orificio. Un quemador obstruido puede ocasionar un incendio debajo del equipo.

Limpie los orificios del quemador con un limpiador de tuberías potente.

Si la manguera es reemplazada debe asegurarse al equipo y a las conexiones del regulador por medio de abrazaderas para mangueras. Desconecte el regulador del cilindro (de acuerdo a las instrucciones suministradas con el regulador) cuando el equipo no esté en uso.

El equipo debe ser utilizado en un área con buena ventilación. No obstruya el flujo de aire de combustión hacia el quemador cuando esté en uso. EXCLUSIVO PARA USO AL AIRE LIBRE O EN EXTERIORES.



## Conectando el Cilindro de Gas al Equipo

Este equipo deberá ser utilizado exclusivamente con gas butano y propano o mezclas de baja presión o mezclas de GLP, fijados al regulador de baja presión apropiado, a través de una manguera flexible. La manguera deberá ser fijada al regulador y al equipo mediante abrazaderas de manguera.

1. Asegúrese de que todas las perillas de control estén en posición de APAGADO (OFF) y verifique que la válvula del cilindro de gas esté cerrada girando la manija en la válvula del cilindro de gas en sentido horario hasta que pare.
2. Remueva la tapa protectora de la boquilla de la válvula del cilindro de gas.
3. Sostenga el regulador en línea recta con la boquilla de la válvula del cilindro de gas para que la conexión no cruce la rosca.
4. Inserte el niple regulador en la abertura de la boquilla de la válvula del cilindro de gas.
5. Apriete manualmente la tuerca de acoplamiento en sentido horario. **¡No utilice herramientas!**
6. Realice una Prueba de Fugas. (Vea la sección de Prueba de Fugas en este manual).

## **\*\*ANTES DE SU USO, COMPRUEBE QUE NO HAYAN FUGAS\*\*\***

*Nunca busque fugas a simple vista. Utilice una solución de agua jabonosa.*

**NOTA:** Antes de encender la parrilla, compruebe que no haya fugas. Asegúrese que la válvula del regulador esté bien ajustada al quemador y cilindro para prevenir incendios o explosiones cuando realice las pruebas de fugas. Siempre realice la “Prueba de Fugas” descrita a continuación antes de encender la parrilla, o cada vez que el cilindro sea conectado para su uso.

- No fume ni permita otra fuente de ignición en el área mientras realice una prueba de fugas.
- Realice la prueba de fugas al aire libre y en un área con buena ventilación.
- No use cerillos, encendedores o llamas para realizar una prueba de fugas.
- No utilice la parrilla hasta que todas y cada una de las fugas sean corregidas. Si no puede parar una fuga, desconecte el suministro de propano. Llame a un técnico de equipos a gas o a su proveedor local de propano.

## Prueba de Fugas

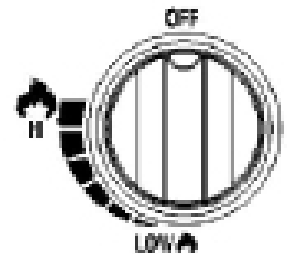
7. Mezcle 2-3 fl. oz. de solución: una parte de jabón de lavaplatos y tres partes de agua.
8. Asegúrese que la válvula de control esté cerrada.
9. Conecte el regulador al cilindro y la válvula al quemador. Asegúrese que las conexiones estén sujetas antes de abrir el suministro de gas.
10. Haga una nueva prueba de fugas luego de corregir la fuga.
11. Cierre el suministro de gas luego de la prueba.
12. Si detecta una fuga y no puede rectificarla, por favor llame al servicio al cliente de Char-Griller al 912-638-4724 o envíe un correo electrónico a [Service@CharGriller.com](mailto:Service@CharGriller.com).

# Instrucciones de Encendido

Siempre abra la tapa mientras enciende la parrilla. Si la parrilla no enciende, espere cinco minutos para que el gas se vaya antes de volver a encenderlo. No hacer estas dos cosas, puede resultar en un estallido explosivo que puede causar lesiones severas o la muerte. Una vez encendida, pero antes de cocinar por primera vez en la parrilla, deje que la parrilla se mantenga con la tapa cerrada por 15 minutos. Este calor limpia las partes internas de la parrilla de cualquier elemento con el que pudiera tener contacto durante la fabricación o envío.

## Quemadores Principales

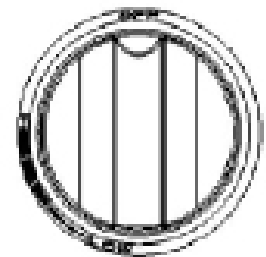
1. Compruebe que no haya obstrucciones del flujo de aire hacia la unidad de gas. Las arañas e insectos pueden anidar este espacio y obstruir el tubo del quemador. Un quemador obstruido puede ocasionar un incendio debajo del equipo.
2. Compruebe que las perillas de los quemadores se encuentren en posición de OFF.
3. Abra la válvula en el cilindro de gas LP.
4. Para encender el quemador, empuje y rote la perilla a "ALTA" ("HIGH"), luego empuje y sostenga el Botón Electrónico de Ignición hasta que enciendan los quemadores. Si el quemador no enciende en 5 minutos, APAGUE el quemador colocándolo en la posición de OFF, espere 5 minutos para que el gas se vaya antes de repetir el procedimiento. Repita este procedimiento para encender todos los quemadores que desee. Sólo encienda los quemadores que vaya a usar.
5. Ajuste las perillas a la configuración de cocción deseada.



**Luego del encendido**, observe la llama del quemador y asegúrese que todos los puertos del quemador están encendidos. **Si la llama se apaga durante la operación**, apague inmediatamente el gas en el panel de control y en la válvula de cilindro de gas. Abra la tapa y deje que el gas se disipe por 5 minutos antes de volver a encenderlo. **Limpie la parrilla antes de cada uso.** NO use limpiadores abrasivos o inflamables ya que pueden dañar las partes e iniciar un incendio.

## Quemador Lateral

1. Abra la tapa durante el encendido. La tapa debe estar abierta cuando el quemador esté encendido.
2. Las válvulas del quemador deben estar en la posición de OFF.
3. Abra la válvula de cilindro.
4. Empuje y rote lentamente la perilla del quemador lateral, cerca de ¼ de giro, hasta que escuche un clic. Si el quemador no enciende en 5 minutos, gire inmediatamente la perilla a la posición de OFF y espere 5 minutos para que el gas se disipe antes de repetir el procedimiento.
5. Luego de que encienda el quemador, ajuste las perillas a la configuración de cocción deseada.



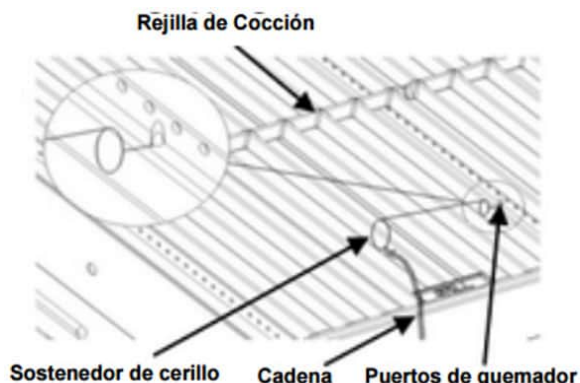


## Apagar los Quemadores

1. Gire la(s) perilla(s) en dirección anti horaria hasta la posición HIGH, luego empuje y gire a OFF. Nunca gire la perilla sin empujarla, ya que podría dañar la válvula y perilla. Para los quemadores laterales, empuje y gire a OFF.
2. Rápidamente, cierre la válvula de cilindro de gas.
3. Cierre la tapa de la parrilla.

## Encender el Quemador con un Cerillo

4. Empuje y rote la perilla hasta la posición HIGH.
5. Coloque el cerillo en el sostenedor de cerillos instalado en el costado de la carcasa de la parrilla. Una vez encendida, coloque la llama cerca de los puertos del quemador, como se muestra. Los quemadores deberán encenderse inmediatamente.
6. Ajuste las perillas a la configuración de cocción deseada.



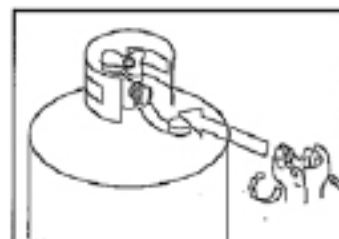
## Observe la Altura de la Llama, una vez Encendida

Observe la llama del quemador a través del orificio de observación de llama. La llama deberá ser de color azul y amarillo, y medir de  $\frac{1}{2}$ "- $\frac{3}{4}$ " cuando se configure en HIGH.



## Desconectar el Cilindro de Gas

7. Gire todas perillas de control a la posición de OFF y gire la manija en el cilindro de gas en dirección horaria hasta que pare.
8. Coloque la tuerca de acoplamiento en dirección anti horaria hasta que el regulador se libere de la boquilla de la válvula de cilindro de gas.
9. Coloque la tapa protectora sobre la boquilla de la válvula de cilindro de gas.



## Almacenamiento del Equipo

El almacenamiento de un equipo en ambientes cerrados sólo será permitido si el cilindro ha sido desconectado y retirado del equipo. Cuando el equipo no esté en uso, deberá ser cubierto y almacenado en un ambiente seco, libre de polvo.

# Cilindro de Gas

¡El cilindro de gas no deberá dejarse caer ni ser manejado bruscamente! Si el equipo no está en uso, el cilindro deberá mantenerse desconectado. Reemplace la tapa protectora en el cilindro luego de desconectar el cilindro del equipo.

Los cilindros deben ser almacenados al aire libre o en el exterior, en posición vertical y mantenerse fuera del alcance de los niños. El cilindro nunca deberá ser almacenado en lugares donde la temperatura sobrepase los 122°F (55°C). No almacene el cilindro cerca de llamas, pilotos u otras fuentes de ignición. **NO FUME CERCA DE UN CILINDRO DE GAS.**

Este equipo está diseñado para ser utilizado al aire libre, lejos de cualquier material inflamable. Es importante que no existan obstrucciones superiores y que haya una distancia mínima de 3 pies (90 cm) desde la parte lateral o trasera del equipo. Es importante que las aperturas de ventilación del equipo no sean obstruidas. La parrilla debe ser usada en una superficie nivelada y estable. El equipo deberá ser protegido de corrientes de aire, y posicionado o protegido contra la penetración directa de agua que gotee (como por ejemplo, la lluvia).

**Las partes selladas por el fabricante o su agente no deberán ser alteradas por el usuario. Ninguna de las partes de este equipo deberá ser modificada; las reparaciones y mantenimiento sólo podrán ser realizadas por un ingeniero o técnico de servicio autorizado.**

## Curando y Preparando su Parrillera

**¡IMPORTANTE! ANTES DE UTILIZAR SU PARRILLERA POR PRIMERA VEZ, DEBERÁ PREPARARLA Y CURARLA PARA PROTEGER LOS ACABADOS INTERIORES Y EXTERIORES Y PARA PREVENIR LOS SABORES ARTIFICIALES EN SUS ALIMENTOS.**

**NOTA:** El interior de la parrillera no está pintado. El interior está cubierto con aceite vegetal. NO remueva esta cobertura, ya que ayuda a proteger su parrillera de la oxidación.

1. Cubra ligeramente todas las superficies interiores (incluyendo rejillas de cocción e interior del barril) con aceite vegetal (el aceite vegetal en spray es el más fácil de utilizar, pero MANTÉNGALO ALEJADO DE CARBONES ENCENDIDOS, FUEGO O LLAMAS).
2. **Parrillera a Carbón:** Encienda un fuego mediano en la rejilla para combustible. Apile 2 libras de carbón (aproximadamente 30 briquetas) en una pirámide y sature con fluido para encendido. NO utilice gasolina. Encienda los carbones en distintos lugares. Cuando los carbones se cubran de cenizas o se pongan grises, distribúyalos de la pirámide a una capa plana. Cierre la tapa de la parrillera a carbón. SIEMPRE siga las instrucciones y advertencias de los fabricantes del carbón y fluido para encendido.
3. **Parrillera a Gas:** Encienda los quemadores y ajuste a temperatura media-baja. Cierre la tapa de la parrillera a gas.
4. Mantenga la temperatura a 250° F en ambas parrilleras durante dos (2) horas. Para parrilleras a gas, sencillamente ajuste las perrillas y revise la temperatura. Para parrilleras a carbón, controle la temperatura con las compuertas duales y la rejilla de combustible ajustable. Ajuste un lado de la rejilla a la vez. Un mayor flujo de aire equivale a una mayor temperatura.



5. NUNCA EXCEDA LOS 450° F (230° C). ESTO DAÑARÍA EL ACABADO Y CONTRIBUIRÍA A LA OXIDACIÓN
6. Usted puede cubrir ligeramente el exterior del cuerpo de la parrillera (mientras está caliente) con aceite vegetal. Esto extenderá la vida útil del acabado, similar a cuando pule un carro. Su parrillera está lista para ser utilizada.

LA PINTURA NO ESTÁ CUBIERTA POR LA GARANTÍA Y REQUERIRÁ DE RETOQUES OCASIONALES. ESTE EQUIPO NO TIENE GARANTÍA CONTRA LA OXIDACIÓN.

**NOTA: La parrillera goteará aceite durante este proceso y durante los siguientes usos. Es normal.**

## LIMPIEZA Y CUIDADO

**PRECAUCIÓN:** Toda limpieza y mantenimiento debe ser realizado cuando la parrillera se haya enfriado totalmente y cuando la válvula del cilindro de gas esté completamente cerrada.

NO limpie ninguna de las partes de la parrillera en un horno auto limpiante. El calor extremo dañará el acabado.

### Materiales de Limpieza Recomendados

- Detergente lavaplatos líquido, suave
- Almohadilla para limpieza de nylon
- Agua caliente
- Cepillo de alambre

### Limpieza

- Dejar la parrillera encendida luego de cada uso (aproximadamente por 15 minutos) evitará que se acumulen excesivamente los residuos de comidas.
- NO utilice limpiadores que contengan ácidos, alcoholes minerales o xileno.
- **Superficies externas** – Utilice una solución de detergente lavaplatos suave y agua caliente para limpiar, luego enjuague con agua.
- **Superficie interna de la tapa de la parrillera** – Si la superficie tiene la apariencia de que la pintura se está pelando, la acumulación de grasa asada se ha vuelto carbón y se está pelando. Limpie profundamente con una solución de detergente fuerte y agua caliente. Enjuague con agua y permita que se seque completamente. Para prevenir la oxidación, cúrela luego de la limpieza.
- **Interior del fondo de la parrillera** – Remueva los residuos usando un cepillo, un raspador y/o una almohadilla de limpieza, luego lave con una solución de agua caliente y detergente lavaplatos. Enjuague con agua y permita que se seque completamente.
- **Rejillas de cocción** – Las rejillas de porcelana tienen una composición parecida al vidrio que debe ser manejada con cuidado para evitar que se astille. Use una solución de agua caliente y detergente lavaplatos suave o de agua caliente y bicarbonato de sodio. Se puede usar un polvo de limpieza no abrasivo en las manchas resistentes; luego enjuague con agua.
- **Pantalla Térmica** – Limpie los residuos con un cepillo de alambre y lave con agua jabonosa. Luego enjuague con agua.
- **Colector de Grasa** – Vacíe periódicamente el contenedor de grasa y limpie con una solución de jabón lavaplatos y agua caliente.

**Un interior sin cubierta se oxidará si no se mantiene adecuadamente con una capa normal**

**C-6**



de aceite vegetal en todas las superficies de metal dentro de la parrillera. Usted puede usar aceite vegetal en spray o líquido, aplicándolo con una toalla de papel en la parrillera fría.

## **Limpieza del Ensamblaje del Quemador**

1. Corte el suministro de gas por medio de las perillas de control y el tanque de gas.
  2. Retire las rejillas de cocción y la pantalla térmica.
  3. Retire el colector de grasa.
  4. Retire el quemador al desenroscar el tornillo auto enroscable con un destornillador de estrías.
  5. Levante el quemador y sepárelo del orificio de la válvula de gas.
  6. Limpie la entrada (venturi) del quemador con un cepillo pequeño tipo botella o aire comprimido.
  7. Remueva todo los residuos de comida y sucio fuera de la superficie del quemador.
  8. Limpie cualquier puerto obstruido con un alambre rígido (como un clip de papel desdoblado).
  9. Revise el quemador para detectar cualquier daño (grietas o huecos). Si encuentra daño, reemplace con un nuevo quemador. Para volver a instalar el quemado, asegúrese de que los orificios de la válvula de gas está colocados en la posición correcta. dentro de la entrada del quemador (venturi). También revise la posición del electrodo de encendido.
- Las cenizas dejadas por mucho tiempo en el fondo de la PARRILLERA A CARBÓN absorben humedad y pueden causar la oxidación si no son limpiadas.
  - La PARRILLERA está hecha de hierro fundido y acero, lo que SE OXIDARÁ, especialmente si no se le da el cuidado requerido.
  - No utilice carbón vegetal instantánea, ya que le aportará un sabor artificial a la comida. Consuma completamente el fluido de encendido antes de cocinar.
  - Luego de cada uso, cubra el metal con aceite vegetal para reducir la oxidación. Elimine el óxido EXTERIOR con un cepillo de alambre y retoque con una pintura para altas temperaturas, disponible en casi cualquier tienda de herramientas/vehículo.
  - Asegúrese de limpiar la BANDEJA DE GRASA luego de cada uso, cuando enfríe completamente.
  - El MEDIDOR DE TEMPERATURA puede humedecerse, lo que causará que se empañe durante la cocción.
  - Llene cualquier hueco no deseado con pernos y tuercas extras (no incluidos). Nota: el humo puede escaparse de áreas distintas a las chimeneas. Esto no afectará la cocción.
  - La parrillera deberá ser instalada en una superficie plana y estable.
  - Recomendamos que la PARRILLERA A CARBÓN sea encendida y que el combustible se mantenga al rojo vivo por al menos 30 minutos antes de la primera cocción. No cocine hasta que las briquetas se cubran de cenizas y se pongan de color gris.
  - ¡PRECAUCIÓN! Las partes externas pueden estar muy calientes. Sólo para uso en exteriores
  - ¡PRECAUCIÓN! No utilice alcohol o combustible para encender o reencender la parrillera.
  - ¡PRECAUCIÓN! Mantenga a los niños y mascotas alejados del equipo.

### **RESOLUCIÓN DE PROBLEMAS DE LA PARRILLERA A GAS**

<b>Problema</b>	<b>Posible Causa</b>	<b>Prevención/Cura</b>
El quemador no enciende usando las perillas.	Los alambres y/o electrodos están cubiertos con residuos de comida	Limpie el alambre y/o electrodo con alcohol isopropílico
	Electrodo y quemadores mojados	Seque con un paño
	Electrodo agrietado o salen chispas de la grieta	Reemplace el electrodo



## RESOLUCIÓN DE PROBLEMAS DE LA PARRILLERA A GAS

Problema	Posible Causa	Prevención/Cura
	Alambre suelto o desconectado	Reconecte el alambre o reemplace el ensamblaje del electrodo/alambre
El quemador no enciende al usar un cerillo	No hay flujo de gas	Revise si el tanque de propano está vacío. Si el tanque de propano no está vacío, refiérase a “Caída repentina del flujo de gas o reducción de la llama” Si está vacío, reemplace o recargue.
El quemador no enciende al usar un cerillo	Tuerca de acoplamiento y regulador no conectado	Gire la tuerca de acoplamiento desde una media conexión a una vuelta adicional de tres cuartos, hasta que se detenga súbitamente. Apriete a mano. No utilice herramientas.
	Obstrucción del flujo de gas	Limpie los tubos del quemador Y Revise si existe alguna manguera doblada o torcida
	El quemador se separó de la válvula	Vuelva a conectar el quemador a la válvula
	Insectos en el venturi (inserción al quemador)	Limpie el venturi
	Puertos del quemador obstruidos o bloqueados	Limpie los puertos del quemador
Caída repentina del flujo de gas o reducción de la llama	Sin gas	Cambie el tanque de propano
	El dispositivo de seguridad ante exceso de flujo pudo haberse activado	Cierre las perillas, espere 30 segundos y encienda la parrillera. Si la llama aún es muy baja, reestablezca el dispositivo de seguridad ante exceso de flujo al cerrar perillas y válvula del tanque de propano. Desconecte los reguladores. Cierre las perillas de control del quemador. Reconecte el regulador y conexiones de chequeo de fugas. Abra lentamente la válvula del tanque de propano y espere 30 segundos. Encienda la parrillera.
Patrón de llama irregular, la llama no corre por todo el largo del quemador.	Los puertos del quemador están bloqueados u obstruidos.	Limpie los puertos del quemador



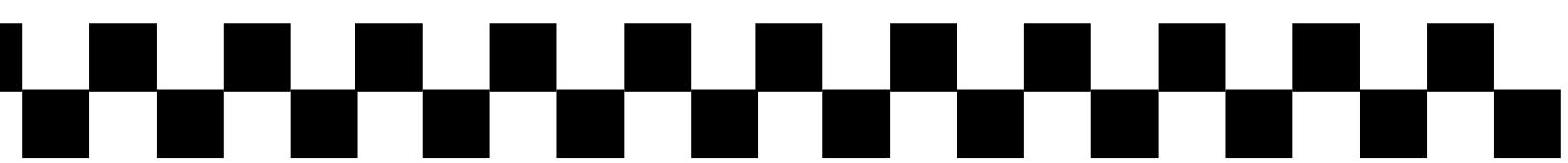


## **RESOLUCIÓN DE PROBLEMAS DE LA PARRILLERA A GAS**

<b>Problema</b>	<b>Posible Causa</b>	<b>Prevención/Cura</b>
La llama es amarilla o anaranjada.	El nuevo quemador puede tener residuos de aceites de fabricación.	Encienda la parrillera y manténgala así por 15 minutos con la tapa cerrada
	Insectos anidan en el venturi	Limpie el venturi
La llama es amarilla o anaranjada.	Residuos de comida, grasa o sal condimentada en el quemador	Limpie el quemador
	Pobre alineación de la válvula al venturi del quemador	Asegúrese de que el venturi del quemador está conectado correctamente a la válvula
La llama se extingue	Ráfagas o fuertes vientos	Coloque el frente de la parrillera contra el viento o incremente la altura de la llama. (Recomendamos no usar la parrillera durante vientos fuertes)
	Baja presión de gas	Cambie el tanque de propano
		La válvula de exceso de flujo se desconectó
Llamaradas	Acumulación de grasa	Limpie la parrillera
	Carne con exceso de grasa	Remueva grasa antes de asar
	Temperatura de cocción excesiva	Ajuste (disminuya) la temperatura
Persistente incendio de grasa	Grasa atrapada por la acumulación de alimentos alrededor del sistema del quemador	Cierre las perillas. Cierre el paso de gas. Limpie los quemadores y tubos
Retroceso de llama (fuego en tubo(s) del quemador	Quemador y/o tubos del quemador sucio	Cierre las perillas. Cierre el paso de gas. Limpie los quemadores y tubos
El interior de la tapa parece pelarse (como pintura que se pela)	Los residuos de la grasa asados se han transformado en carbón y se pelan	Limpie profundamente el interior de la tapa. El interior de la tapa no está pintada. Aplique aceite vegetal nuevamente, según las instrucciones anteriores



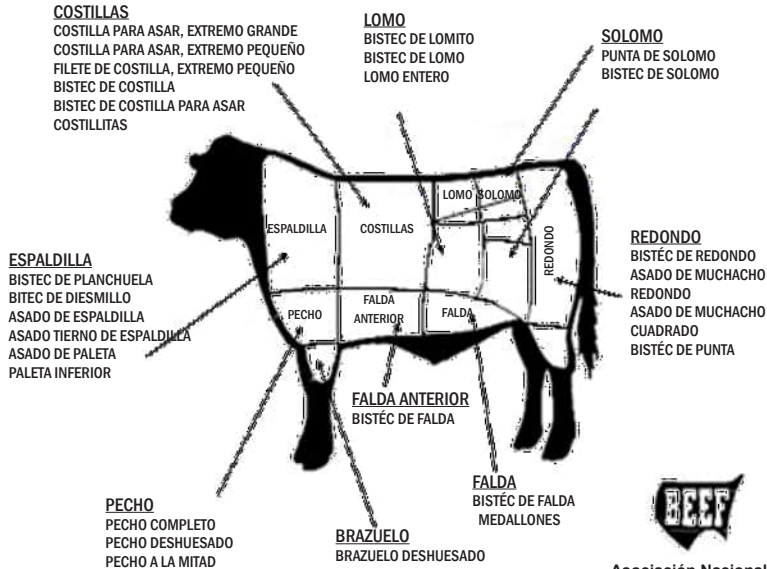
**Esta Página Ha Sido  
Intencionalmente Ha Dejado  
En Blanco**



# RECETAS PARA COCINAR A LA PARRILLA

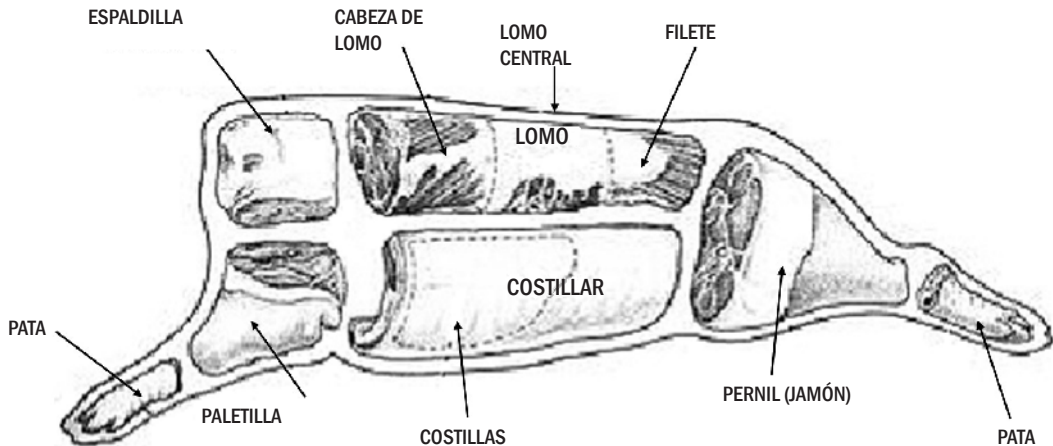
## Conozca sus Cortes de Carne

### CORTES DE RES



Asociación Nacional de Ganaderos  
444 North Michigan Avenue  
Chicago, Illinois 60611  
(312) 467 5520

### CORTES DE CERDO





## **Calor Directo**

- **El Calor Directo es un método de alta temperatura utilizado para cocinar comidas que toman menos de 25 minutos de cocción. Normalmente significa que son comidas que tienen poco grosor como los bistecs, chuletas, pechugas de pollo deshuesadas, filetes de pescado, hamburguesas, etc.**
- **Cocinar usando un TERMÓMETRO DE CARNE asegura que la comida está totalmente cocida. Inserte en la parte más gruesa sin tocar el hueso y permita que pasen cinco minutos para que haga el registro.**
- **Las temperaturas internas del ave deben oscilar entre 170°F y 180°F ( 76°C a 82°C).**
- **Las temperaturas internas para la carne deberá ser de 140°F (60°C) para término medio; 160°F (71°C) para tres cuartos; y 170°F (76°C) para bien cocido.**

### **BISTECS (Y TODAS LAS CARNES)**

- Cocine la comida en el lado de carbón vegetal del equipo, directamente sobre los carbones/calor.
- Para asar las carnes, suba la rejilla de combustible a la posición más alta (caliente) y selle por un minuto cada lado con la tapa abierta para sellar el sabor y los jugos. Luego baje la rejilla de combustible a una posición media con la tapa cerrada y cocine hasta el punto de cocción deseado.
- Controle el calor con reguladores duales y rejillas de combustible ajustables.

**Sugerencia:** Coloque la carne asada nuevamente en la marinada por algunos minutos antes de servir – será más jugosa y tendrá más sabor.

**PRECAUCIÓN:** Primero hierva la marinada restante para matar las bacterias remanentes de la carne cruda.

### **BISTEC DE FALDA MARINADA:**

- Mezcle los ingredientes de la marinada en una fuente no metálica.
- Deje que el bistec permanezca en la marinada por no menos de 4 horas en el refrigerador.
- Dore cada lado por 5 minutos, pero el centro debe permanecer casi crudo.
- Corte el bistec diagonalmente contra a la fibra en delgadas rebanadas antes de servir.
- Ase con el fuego de la parrilla en posición alta (caliente) con la tapa abierta o cerrada.

### **Marinada de Carne**

½ taza de aceite vegetal o de oliva  
1/3 de taza de salsa de soya  
¼ de taza de vinagre de vino tinto  
2 cdas de jugo de limón  
1 cda de mostaza seca  
1 diente de ajo picado  
1 cebolla pequeña picada  
¼ de cda de pimienta

### **CODORNICES O PALOMAS:**

- Cubra las aves en aderezo italiano (Good Seasons o Kraft Zesty) y marínelas durante la noche.
- Vierta el aderezo restante y cubra con Salsa Picante Texas Pete Hot Sauce por 6 horas.
- Envuelva las aves en tocino grueso y asegúrelas con un mondadientes.
- Colóquelas en la parrilla. Siga volteándolas hasta que el tocino se tueste.
- Ase por 20 minutos. Dore con la tapa abierta y la rejilla de combustible en posición alta (caliente) por 1

minuto en cada lado antes de bajar la rejilla y cerrar la tapa.

- Para AHUMAR, coloque las aves en el centro de la REJILLA con el fuego en los dos extremos de la PARRILLA LATERAL.

### **BROCHETAS:**

- Alternar en las brochetas cualquier combinación de carnes, cebollas, tomates, pimentones verdes, champiñones, calabacines, una rodaja de maíz sancochado o piña. La carne consiste en pedazos de camarones, vieiras, langostas, pollo, salchichón, cochino, ternera, etc.
- Marine la carne en el refrigerador por algunas horas.
- Ase cada lado por 7 minutos aproximadamente, volteándolo ocasionalmente mientras lo bañas con la marinada. Deje un espacio entre cada pedazo para una cocción más rápida.
- Ase con la tapa arriba y la rejilla de combustible en su posición más baja. Vea la receta de la marinada en la última página.

### **Marinada para Brochetas:**

1 una taza de salsa de soya  
½ taza de azúcar morena  
½ taza de vinagre  
½ taza de jugo de piña  
2 una cdta de sal  
½ cdta de ajo en polvo

- Mezcle todos los ingredientes en una olla y lleve a ebullición.
- Permita que la marinada se enfríe antes que marine la carne con ella.
- Marine la ternera en la mezcla por lo menos 4 horas.

### **PERROS CALIENTES:**

- Ase con la tapa arriba y la rejilla de combustible en alta posición (caliente) durante aproximadamente 6 minutos.
- Voltee cada pocos minutos.

### **HAMBURGUESAS:**

Vea la marinada de carne.

Usted puede también marinarla al permitirle estar por una 1 o 2 horas a temperatura ambiente antes de cocinarla, o dejarla en el refrigerador en un plato cubierto hasta por lo menos 24 horas.

- Lleve a temperatura ambiente antes de cocinar.
- Mezcle cebollas y pimentón cortado, sal, selle cada lado de carne de hamburguesas de 3 pulgadas (2 cm) de grosor con la rejilla de combustible en posición alta por unos pocos minutos.
- Baje la rejilla de combustible a una posición media y ase con la tapa cerrada para evitar llamaradas.
- Cocine cada lado de 3 a 7 minutos dependiendo de la cocción deseada.
- Cocine la carne molida a una temperatura interna de 150°F (65°C) o hasta que los jugos estén limpios de sangre para prevenir la E. coli.
- Las hamburguesas pueden untarse con marinada cuando se voltean y/o otros ingredientes pueden mezclarse en la carne molida como por ejemplo con salsa o polvo de picante.



### CAMARONES (Pelados) y LANGOSTA:

- Coloque en pinchos.
- Cubra con mantequilla derretida y ajillo con sal.
- Ase por 4 minutos en cada lado o hasta que estén rosados. La salsa Cóctel es opcional.

### PAPAS AL HORNO:

- Frótelas con mantequilla y envuelva en papel de aluminio. Áselas en la parrilla con la tapa abajo por 50 minutos.
- Voltéelas luego de 25 minutos (no es necesario hacerlo si están ahumadas).
- Pinche para chequear su cocción.

### MAZORCAS DULCES EN HOJAS:

- Quételes el exceso de barbas de las puntas y remoje en agua fría salada una hora antes de asarlas.
- Ase por 25 minutos - volteándolas varias veces.

# RECETAS DE AHUMADOS

## Calor Indirecto

### TIEMPOS DE COCCIÓN

Alimento	Peso	Ahumado en Bandeja de Agua	Parrilla Lateral	Temperatura en Termómetro de Carne
Asado de Carne	3-4 Lb.	1-1,5 horas	4-5 horas	140°F poco cocido
Asado de Ovejo, Venado	5-7 Lb.	1 1/2 a 2 1/2 horas	5-6 horas	160°F término medio
Grandes pedazos de caza	7-9 Lb.	2 1/2 a 3 1/2 horas	7-10 horas	170°F bien cocido
Asado de Cerdo	3-4 Lb. 5-8 Lb.	1 1/2 a 2 1/2 horas 2 1/2 a 3 horas	5-6 horas 7-8 horas	170°F 170°F
Costillas de Res/Cerdo	Parrilla completa	1 1/2 a 2 horas	4-6 horas	La carne se separa del hueso
Chuletas de Cerdo	Parrilla completa	3/4 a 1 1/4 horas	4-6 horas	La carne se separa del hueso
Chorizos y embutidos	Parrilla completa	2 a 2 1/2 horas	4-5 horas	170°F para embutidos frescos
Pemil, Fresco	10 Lb.	3 a 4 horas	7-8 horas	170°F
Pemil, Cocido	Todos los tamaños	1 1/2 a 2 horas	3-4 horas	130°F
Pollo, cortado o separado	1-4 bandejas	1 a 1 1/2 horas	4-5 horas	180°F/el muslo se mueve fácilmente en la unión
Pollo, completo	1-4 bandejas	1 1/4 a 1 1/2 horas	5-6 horas	180°F/el muslo se mueve fácilmente en la unión
Pavo, sin relleno	8-12 Lb.	1 1/2 a 2 1/2 horas	7-8 horas	180°F/el muslo se mueve fácilmente en la unión
Pescado, pequeño y completo	Parrilla completa	1/2 a 3/4 hora	2-3 horas	Se separa con el tenedor
Pescados, filetes, milanesas	Parrilla completa	1/4 a 1/2 hora	1-3 horas	Se separa con el tenedor
Pato	3-5 Lb.	1 a 1 3/4 hora	5-6 horas	180°F/el muslo se mueve fácilmente en la unión
Pequeñas aves	Parrilla Completa	3/4 a 1 hora	4-5 horas	180°F/el muslo se mueve fácilmente en la unión

Bandeja no incluida. Se recomienda una bandeja para pan desechable. AHUMADO POR COCCIÓN LENTA (Ver el cuadro de arriba)

1. Coloque la bandeja de goteo/recolectora de agua en la parte izquierda de la rejilla de combustible.
  2. Coloque carbón caliente en la parte derecha (extremo de la compuerta) de la rejilla de calefacción. El accesorio de la cesta para carbón ayuda a mantener los carbones en un solo lugar.
  3. Coloque la carne sobre la bandeja recolectora de agua.
  4. Coloque la rejilla de combustible en posición baja.
  5. Cierre la tapa y controle el calor con las compuertas y la rejilla ajustable.
- Puede sellar ciertas comidas antes de ahumarlas colocando la carne directamente sobre los carbones con la tapa abierta y LAS REJILLAS DE COMBUSTIBLE en posición baja (caliente) por algunos minutos. Añada virutas de madera con sabor impregnado al fuego y añada una parte de marinada, cerveza o vino a tres partes de agua a la bandeja de goteo.
  - ABRIR LA CÁMARA DE AHUMADO EXTENDERÁ EL TIEMPO DE COCCIÓN. Cocinar usando un TERMÓMETRO DE CARNE asegura que la comida esté totalmente cocida. Insértelo en la parte más gruesa sin tocar el hueso y permita que pasen cinco minutos para que haga el registro. La temperatura interna para las aves debe oscilar entre los 170°F a 180°F (76°C a 82°C) o cuando el muslo de pierna se mueva fácilmente en la articulación. La carne debe ser cocinada hasta temperatura interna de 140°F (60°C) para término medio, 160°F (71°C) para término tres cuartos y 170°F (76°C) para bien cocido. Revise el nivel de agua cuando cocine por más de 4 horas o cuando no pueda escuchar el agua hervir. Añada agua moviendo la carne y vierta agua a través de la parrilla dentro de la BANDEJA DE AGUA.
  - SI EL HUMO ES BLANCO, EL FUEGO ES EL CORRECTO. SI EL HUMO ES NEGRO, AÑADA ALGO DE CERVEZA.

### **PAVO AHUMADO:**

- Vacíe la cavidad, enjuague y seque con toalla de papel.
- Pliegue las puntas de las alas dentro de la espalda y ate los muslos de pierna entre sí.
- Colóquelos directamente en el centro de la parrilla de cocción directamente sobre la bandeja de goteo.
- Ahúme cada onza por doce minutos. Permita algunos minutos extra por onza si están rellenos para permitir que se expanda.
- Use el termómetro de carne para mejores resultados (190°F o 87°C en la parte interna)

### **JAMÓN COCIDO AHUMADO:**

Usted puede ahumar jamón enlatado cocido o ahumar y curar jamón entero o una porción.

Glaseado

1 taza de azúcar morena clara, bien compacta  
1/2 taza de jugo de naranja  
1/2 taza de miel

- Combine azúcar, jugo y miel. Deje que se glaseé por lo menos por 4 horas.
- Coloque la rejilla de combustible en la posición más baja y una bandeja de goteo bajo la carne.
- Remueva la corteza y saque la grasa diagonalmente para darle un efecto de diamante.
- Inserte un clavito en el centro de cada diamante.
- Coloque el jamón con la grasa hacia arriba en el centro de la rejilla de combustible directamente sobre la bandeja de goteo. Cierre la tapa.
- Se sugieren 9 minutos por onza para jamones bien cocidos. Para jamones ahumados o curados, que no



estén totalmente cocidos, deberían ser cocidos a una temperatura interna de 160°F (71°C).

- Vierta glaseado de jamón 3 o 4 veces durante los últimos 30 minutos del tiempo de cocción.
- Aderece con rodajas de piña 15 minutos antes de terminar el tiempo de cocción.

### **PERROS CALIENTES AHUMADOS RELLENOS:**

- Corte los perros calientes diagonalmente, a 1/4 de pulgada (0,6 cm) en cada punta.
- Rellene los perros calientes con queso y salsa de pepinillos y envuelva en tocineta.
- Colóquelos en la rejilla de cocción sobre la bandeja de goteo y ahúme por 15 a 20 minutos o hasta que la tocineta esté crujiente.

### **PIEZAS Y MITADES DE POLLO AHUMADAS**

- Enjuague las piezas en agua fría y seque con toalla de papel.
- Cepille cada pieza con aceite vegetal y sazone al gusto con sal y pimienta.
- Dore las piezas de pollo directamente sobre los carbones con la tapa abierta y la rejilla en posición alta o media por algunos minutos.
- Luego coloque las piezas sobre la rejilla de cocción directamente sobre la bandeja de goteo.
- Con la rejilla en la posición baja con la tapa abajo por 55 a 60 minutos o hasta que esté cocido. No use aceite vegetal o sal y pimienta si usan la marinada.

### **VERSIÓN AHUMADA:**

Marinada para Venado:

Una taza de vinagre Balsámico o de vino  
1 una taza de aceite de oliva  
2 onzas de Salsa Inglesa (Worcestershire)  
1/2 onzas Tabasco  
2 cucharaditas de Sazonador  
1-2 jalapeños cortados  
3 onzas de salsa de soya

Marinada de Tocineta

2 onzas de vinagre de vino  
2 onzas Salsa Inglesa (Worcestershire)  
4 toques de Tabasco

- Coloque muslos de venado en un contenedor o “bolsa grande” y la marinada por 2 a 4 días, volteándolos a diario. Marine la tocineta de un día a otro en su salsa marinada.
- Saque el asado del refrigerador por lo menos una hora antes de llevarlo a cocción.
- Sazone generosamente con sal sazónada y pimienta molida gruesa.
- Envuelva medio kilogramo de tocineta sobre la superficie del asado y ahúme por 20/25 minutos por libra o hasta que se ablande. No las cocine de más.

### **CAMARONES Y CANGREJOS AHUMADOS:**

- Mezcle en una bandeja de aluminio 1/2 taza de mantequilla, dos dientes de ajo triturado, Tabasco, pimentón verde picado, 1 cda. de cebolla molida, sal y jugos de un limón.
- Añada el camarón y/o el cangrejo y ahúme por 45 minutos.



### **VEGETALES AHUMADOS:**

- Nabos, papas, zanahorias, quingombó, champiñones, cebollas peladas, calabacín, calabaza, etc.
- Coloque en bandeja y cubra con agua y cocine por varias horas hasta que se la carne esté lista.  
O coloque vegetales en la parrilla y ahúme por 50 minutos, envuelto o no en papel de aluminio.

### **PESCADO AHUMADO:**

- Marine en salmuera (1/4 de taza de sal disuelta en cuatro tazas de agua) o marine el pescado en una taza de vino blanco, 1 taza de salsa de soya mezclada con 1 taza de jugo de limón.
- Marine en el refrigerador desde la noche anterior en un plato cubierto.
- Permita que circule el aire durante 20 minutos antes de colocarlo en la plancha cubierta con grasa.
- Ahúme por 25 minutos.

### **COSTILLAS TRASERAS AHUMADAS:**

- Elimine la capa dura de la piel en la parte trasera.
- Frote todas las superficies con el sazonador.
- Coloque las costillas en el centro de la rejilla y sobre la bandeja y ahúma por aproximadamente hora y media o hasta que la carne se separe del hueso.
- Bañe con salsa barbecue durante los últimos treinta minutos.

### **MARINADA PARA POLLO:**

Combine

1/2 taza de salsa de soya  
1/4 taza de aceite vegetal  
1/4 taza de vinagre de vino tinto  
1 cucharita de orégano  
1/2 cucharadita de albahaca  
1/2 cucharadita de ajo en polvo  
1/4 cucharadita de pimienta

- Agréguelo sobre piezas de pollo en un plato que no sea de metal.
- Cubra y refrigere por una noche, volteando ocasionalmente. Utilice la marinada para bañar al pollo mientras se cocina.

### **MARINADA PARA CARNES:** (Para bistecs, hamburguesas y medallones)

Combine

¼ taza de salsa de soya  
2 cebollas grandes finamente picadas  
2 dientes de ajo (en mitades)

- Combine los ingredientes en una licuadora, cubra y procese en la velocidad rápida por un minuto o hasta que la mezcla este suave.
- Mezcle ¼ de taza de salsa gravy (Kitchen Bouquet y Gravy Master) y 2 cucharaditas de sazonador Beau Monde (o sustituya por 1 cucharadita de MSG y una cucharadita de sal sazonada).



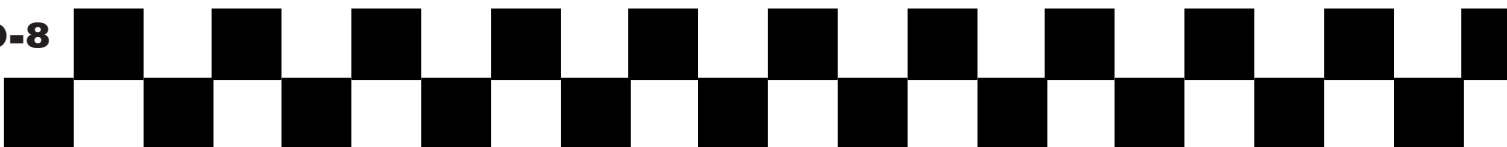
- Permita que la carne se marine a una temperatura ambiente por 2 horas o refrigere hasta 24 horas en un plato cubierto.
- Espere que llegue a temperatura ambiente antes de cocinar.

### **MARINADA PARA BROCHETAS:**

Mezcle

- 1 taza de salsa de soya
- ½ taza de azúcar morena
- ½ taza de vinagre
- ½ taza de jugo de piña
- 2 cucharaditas de sal
- ½ cucharadita de ajo en polvo

- Mezcle todos los ingredientes en una olla y lleve a ebullición.
- Marine la ternera en la mezcla por lo menos 4 horas.



# ACCESORIOS

## Cubierta a la Medida

Resistente al Clima  
Protege el Acabado La Cubierta  
se Adapta al Estante Lateral o la  
Parrillera Lateral



## Rejilla de Calentamiento

Aumenta el Área de la  
Parrillera y Mantiene la  
Comida Caliente



## Parrillera Lateral

¡En tan sólo unos minutos  
convierte su parrillera a carbón en  
un auténtico Ahumador al Estilo  
Texano!



## Cesta para Carbón

Mantiene los Carbones  
a un Lado para Ahumar  
Cocción Indirecta



## Asador

Permite Asar Fácilmente  
Puede Ser Utilizado con Cualquier Parrillera



## Cubierta del Tanque

Resistente al Clima  
Velcro de Nylon Elástico  
en la Parte Superior e  
Inferior  
Sólo Cubierta, No  
Incluye el Tanque

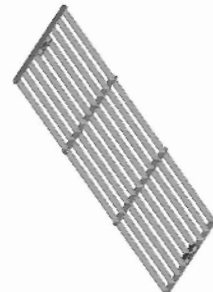
## Delantal

Lavable a Máquina  
Dos Bolsillos Delanteros  
Tiras Ajustables



## Rejillas de Hierro Fundido Recubierto con Porcelana

Resistente  
Auténtico Sabor de BBQ  
No Se Deforma



**Para obtener información de precios o  
para ordenar accesorios, visite:**

**[www.CharGriller.com](http://www.CharGriller.com)**



**Char Griller®  
Premier Specialty Brands, LLC,  
5367 New Peachtree Road, Suite 150,  
Chamblee, GA 30341  
[www.chargriller.com/pages/customer-support](http://www.chargriller.com/pages/customer-support)**

